

## H10Z1218AMSP

10X12~120 mm F1.8

for 1/2" format cameras

with Preset

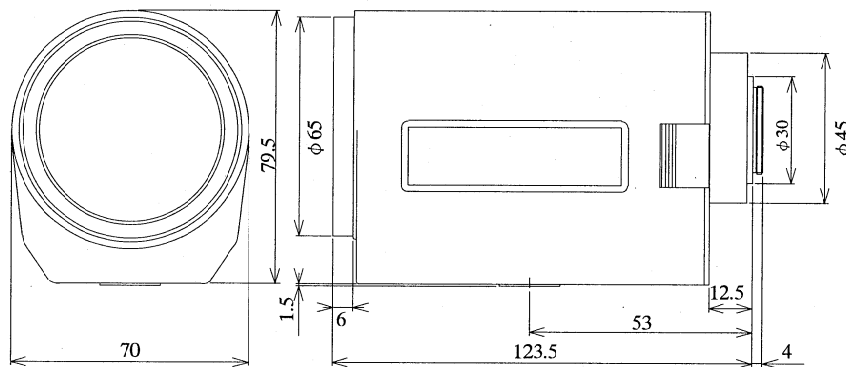
C-Mount

<b>Model No.</b>	H10Z1218AMSP		<b>Effective Front</b>	φ 54.0 mm
<b>Focal Length</b>	12~120 mm		<b>Lens Aperture Rear</b>	φ 9.2 mm
<b>Max. Aperture Ratio</b>	1:1.8		<b>Back Focal Length</b>	14.4 mm
<b>Max. Image Format</b>	6.4×4.8 mm (φ 8 mm)		<b>Flange Back Length</b>	17.526 mm
<b>Operation</b>	<b>Iris</b>	Auto Iris, F1.8~560	<b>Mount</b>	C-Mount
	<b>Focus</b>	Motorized, Preset, 1.5m~Inf.	<b>Filter Size</b>	M62×0.75 mm
	<b>Zoom</b>	Motorized, Preset, 12~120 mm	<b>Tripod Screw</b>	1/4"-20UNC
<b>Object Dimension at M.O.D.</b>	<b>12 mm</b>	78.7×58.9 cm	<b>Dimensions</b>	W70×H79.5×D123.5 mm
	<b>120mm</b>	8.1× 6.0 cm	<b>Weight</b>	710 g
<b>Angle of View</b>	<b>D</b>	36.4° ~ 3.8°		
	<b>H</b>	29.4° ~ 3.1°		
	<b>V</b>	22.2° ~ 2.3°		
<b>Control</b>	<b>Iris</b>		<b>Focus</b>	
	<b>Supply Voltage</b>	DC 8.5~16 V	DC 8 V	
	<b>Current</b>	40 mA or less	45 mA or less	
	<b>Transit Time</b>	Approx. 4.0 sec.	Approx. 5.5 sec.	
<b>Preset Potentiometer</b>	-	5KVR	5KVR	
<b>Light Weighting Method</b>	Adjustable between Average - Peak ( to be set at Average at factory )			
<b>Input Signal</b>	Video Signal ( V or VS )			
<b>Iris Accuracy</b>	± 15% at Video Signal Level			
<b>Sensitivity Adjustment</b>	0.5~1.0Vp-p ( Video Signal )			
<b>Input Impedance</b>	High Impedance			
<b>Operating Temperature</b>	-10° C~+50° C			

1/2  
C

M.O.D. : Minimum Object Distance

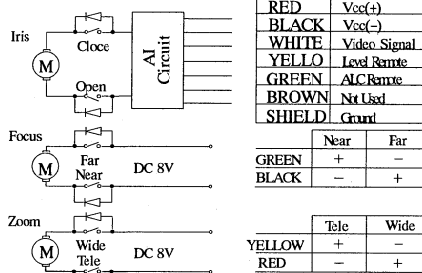
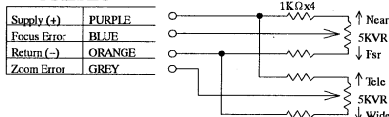
### Dimensions



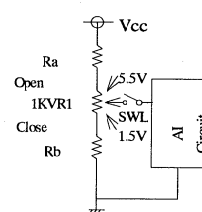
ZA

### Wiring Diagram

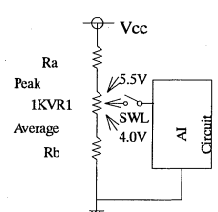
#### PRESET



#### Level Remote



#### ALC Remote



Remarks: Connect together with Black (Focus) and Red (Zoom) for common system when necessary.