

H10Z1218AMS

10X12~120 mm F1.8

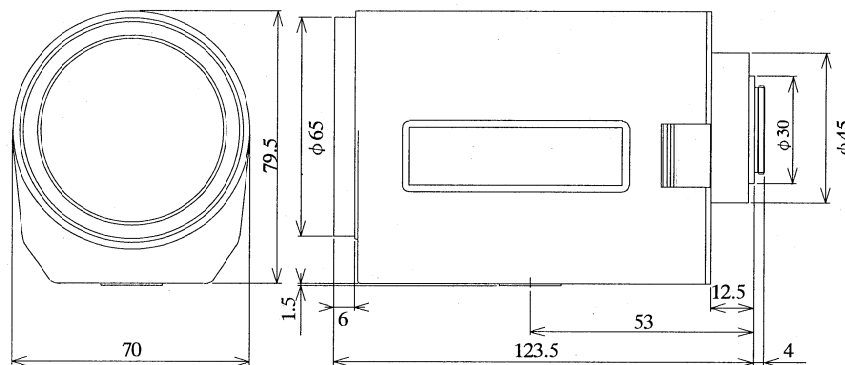
for 1/2" format cameras

C-Mount

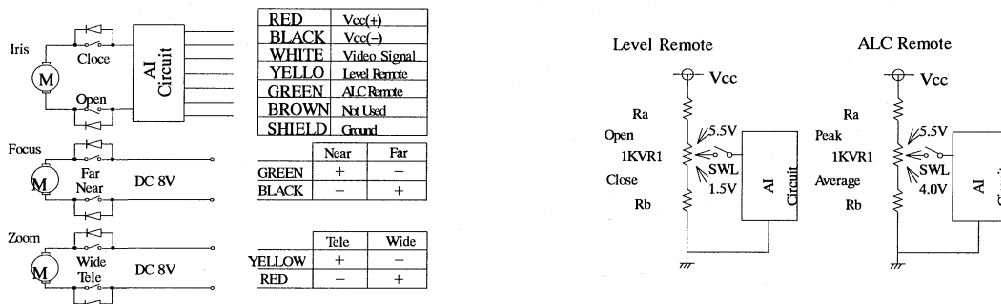
Model No.	H10Z1218AMS		Effective	Front	φ54.0 mm
Focal Length	12~120 mm		Lens Aperture	Rear	φ 9.2 mm
Max. Aperture Ratio	1:1.8		Back Focal Length	14.4 mm	
Max. Image Format	6.4×4.8 mm (φ 8 mm)		Flange Back Length	17.526 mm	
Operation	Iris	Auto Iris, F1.8~560	Mount	C-Mount	
	Focus	Motorized 1.5m~Inf.	Filter Size	M62×0.75 mm	
	Zoom	Motorized 12~120 mm	Tripod Screw	1/4"-20UNC	
Object Dimension at M.O.D.	12 mm	78.7×58.9 cm	Dimensions	W70×H79.5×D123.5 mm	
	120mm	8.1× 6.0 cm	Weight	670 g	
Angle of View	D	36.4° ~ 3.8°			
	H	1/2" 29.4° ~ 3.1°			
	V	22.2° ~ 2.3°			
Control	Iris		Focus		Zoom
	Supply Voltage	DC 8.5~16 V	DC 8 V		DC 8 V
	Current	40 mA or less	40 mA or less		40 mA or less
	Transit Time	Approx. 4.0 sec.	Approx. 5 sec.		Approx. 4.5 sec.
Light Weighting Method	Adjustable between Average - Peak (to be set at Average at factory)				
Input Signal	Video Signal (V or VS)				
Iris Accuracy	± 15% at Video Signal Level				
Sensitivity Adjustment	0.5~1.0Vp-p (Video Signal)				
Input Impedance	High Impedance				
Operating Temperature	-10° C~+50° C				

M.O.D. : Minimum Object Distance

Dimensions



Wiring Diagram



Remarks: Connect together with Black (Focus) and Red (Zoom) for common system when necessary.