

H0425S

4mm F2.5

for 1/2" format cameras

C-Mount

Straight Pinhole

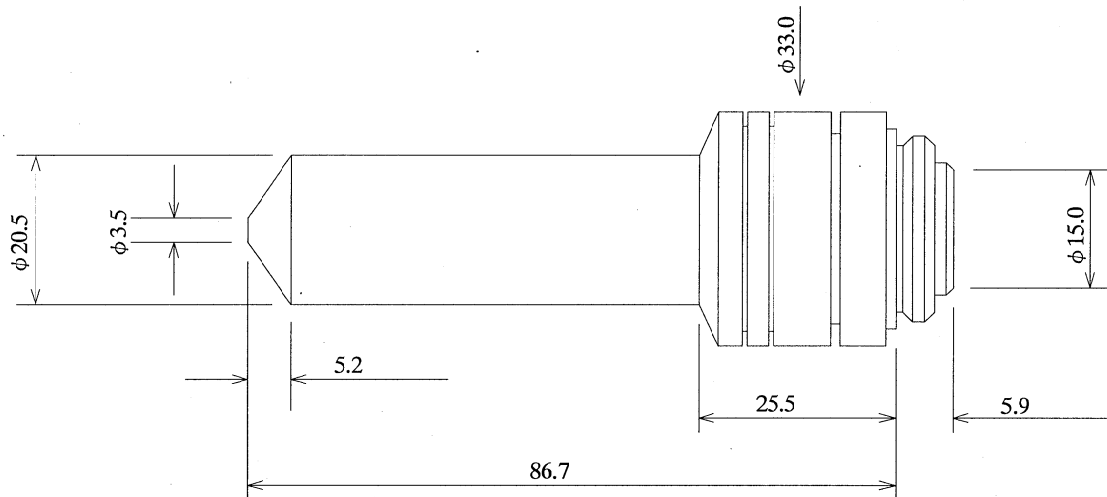
Model No.	H0425S	Effective	Front	φ2.0 mm
Focal Length	4 mm	Lens Aperture	Rear	φ7.2 mm
Max. Aperture Ratio	1 : 2.5	Back Focal Length		12.09 mm
Max. Image Format	6.4 X 4.8 mm (φ8 mm)	Flange Back Length		17.526 mm
Operation	Iris	Mount		C-Mount
	Focus	Filter Size		-
Object Dimension at M.O.D.	31.4 x 23.6 cm	Dimensions		φ33 x 86.7 mm
		Weight		100 g
Angle of View	D	89.8°		
	H	76.3°		
	V	61.6°		

1/2

C

M.O.D. : Minimum Object Distance

Dimensions



F

SP