

COE Series 150

Single channel transmission unit for data, audio or contact closure signals in boxed or eurocard format over multimode optical fibre.

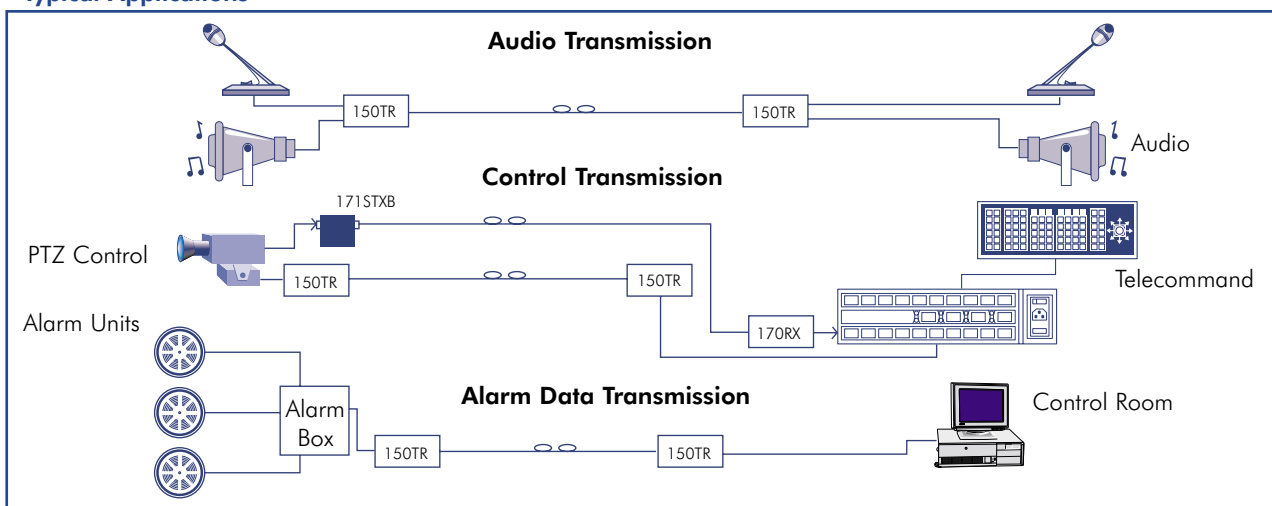
The Series 150 allows a cost effective quality solution for duplex data transmission on multimode fibre. Based on the tried and tested data circuitry of existing COE products the Series 150 features box and eurocard transceivers for the transmission of a single channel of audio, data or contact closure for system or stand alone applications.

Features and Benefits

- Low cost audio, data or contact closure transmission product – Enables cost effective simple fibre optic networks to be built for non video intensive applications
- Single and two fibre versions – Allows cost options for individual applications
- Operation on 50/125 and 62.5/125 multimode fibre – Fully specified for major industry fibre types
- Uses the extensive range of COE plug-in auxiliary modules – Field changeable allowing for system changes
- Over 10 industry standard data/audio/contact formats supported – Provides easy interfacing to most CCTV/alarm/PA/fire systems
- Boxed and eurocard mount formats available – Enables single and multi link systems with field and control room mounting options
- Fully compatible with 3170BVUAC racking system – Allows mix and match system solutions. Up to 11 cards per rack with COE single channel video products
- Extended operating temperature range – May be used in harsh environmental conditions
- LED indication of TX/RX activity – Aids on-site diagnostics



Typical Applications



Sales order codes for Series 150

1 5 X D X TR M X X

Data Format

2 = RS232
 4 = RS422
 8 = RS485 (2 wire)
 W = RS485 (4 wire)
 A = 20mA
 I = Intercom Audio
 F = FSK Audio
 C = Contact Closure
 T = TTL
 M = Manchester coded i/f

Mechanical Format

B = Boxed Module
 C = Eurocard for 3170BVUAC

Fibre Type

M = Multimode

Type

TR = Transmit and Receive

Wavelength

L = Longwave (1300nm)
 S = Shortwave (850nm)

Format

D = Duplex

Fibre Qty

1 = 1 Fibre
 2 = 2 Fibre

Performance

Data

Rate DC to 64kbs⁻¹
 Jitter < 10%
 Format Plug in modules

Audio

Bandwidth 300 to 3400 Hz (-3dB)
 S/N > 40dB

Contact closure

Contact rating 48V AC/DC @ 0.5A
 Options Common, N/O & N/C

Environmental specifications

Operating temp. -10° to 60°C
 Storage temp. -30° to 75°C
 Vibration (BS2011) 5g

Electrical

Current consumption < 200mA (Max) 125mA (Typ)
 Operating voltage 12V DC
 Supply voltage 11 to 13V DC

Mechanical

Transceiver Box 90 x 60 x 30mm
 Transceiver Card Eurocard (6HP x 3U x 160mm)
 fully compatible with
 COE 3170BVUAC 19" rack

Connections

Optical STII
 Data/Power Screw terminal

Path loss

Fibre type Max path loss
 62.5/125 Long/Shortwave 12dB / 14dB
 50/125 Long/Shortwave 10dB / 12dB



Issue. 1. 05/01

Dealer Stamp

COE Limited • Photon House • Percy Street • Leeds LS12 1EG
 Tel: + 44 113 230 8800 • Fax: + 44 113 279 9229
 Sales DDI: + 44 113 230 8801 • Email: sales@coe.co.uk
<http://www.coe.co.uk>

In line with the company policy of continuous improvement, COE reserves the right to vary descriptions and specifications without notice.

Asia Tel: + 65 325 6018 • Fax: + 65 223 0372

