

## **EL500-X-2B Powerful Access Control + Time Attendance System with Display, EM125 kHz Technology**

EL500-X-2B is high level access control terminal with time attendance function with Display, EM125kHz technology.

The terminal features with stand-alone mode, network mode via RS485 or build-in TCP/IP; 2,000-5,000 cardholders can be registered, events reach up to 10,000. Work modes include Card only, PIN only, or Card+ PIN with backlight keypad. With 15 changeable time group (each time group has 8 days including 1 holiday and each day has 5 time schedule), EL500-X-2B can meet different regulatory requirements.

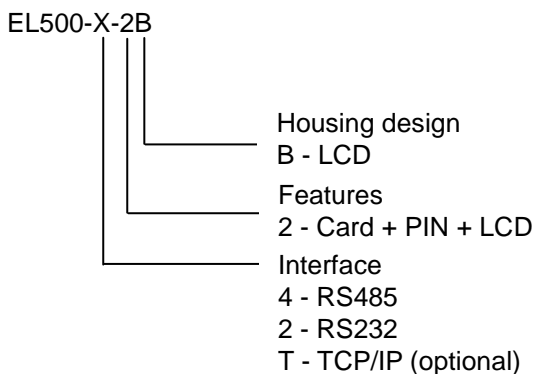
Blue LCD makes it an attractive solution for indoor use. It also features an external reader for anti-passing back (Wiegand port) for high security.

Powerful and friendly application software is offered for access control & time attendance solution with integrated user management, which is designed for single or network management on EL500-X-2B Terminal by simple one-click solution to literally get complete monthly T&A report for all users. SDK is also open for customer's further development in short time.

### **Advantages**

- ✚ Stand-alone mode and network mode
- ✚ 2,000 user, expandable up to 5,000 user
- ✚ 10,000 event records
- ✚ Card, Card + PIN, PIN mode
- ✚ Changeable 15 time group, each time group has 8 days including 1 holiday and each day has 5 time schedule
- ✚ Build-in TCP/IP interface
- ✚ PC housing material
- ✚ APB function, external reader for anti-passing (Wiegand port)
- ✚ All I/Os and operating times user keypad programmable
- ✚ 2 inputs and 2 outputs
- ✚ Housing sabotage alarm
- ✚ Dual function for access control and time attendance
- ✚ Watch-dog timer & power on reset

### **Order Code**



### **Product Images**



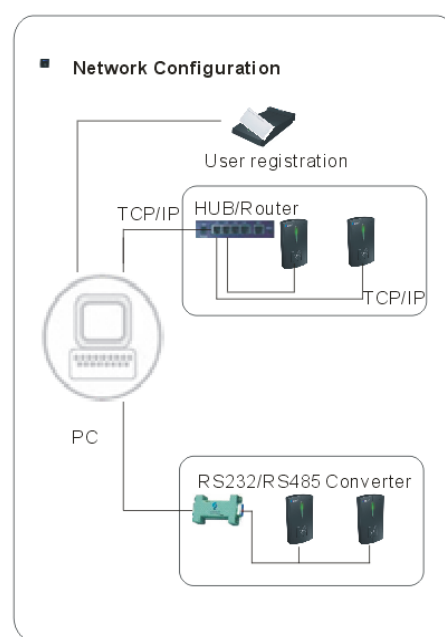
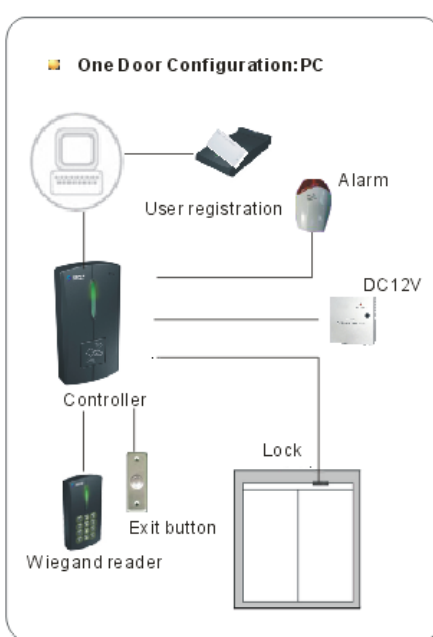
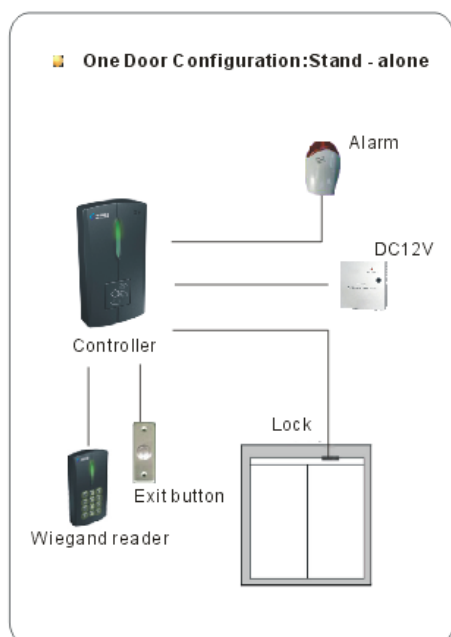
EL500-X-2B  
120\*90\*25mm

**Specifications**

<b>Model</b>	<b>EL500-X-2B</b>	
Supporting card	EM125kHz technology	
Power Supply	9V DC (9-24V), <200mA	
Cardholder	2,000, expandable to 5,000	
Stand alone	Yes	
Network	Yes, via RS485 (up to 98 units) or build-in TCP/IP	
Communication	9600-115200 bit/s (default 9600)	
APB	External Wiegand 26 reader	
Operation Mode	Card, Card + PIN, PIN	
Records	Max. 10000	
Memory	128K Byte EEPROM	
Alarm	1) Door non-closed detection 2) Housing sabotage alarm 3) Door broken alarm	4) Duress alarm in case of emergency 5) 90% full of memory
Keypad	3*4 keypads with backlight	
LCD	Blue LCD dots matrix with backlight, 2 lines * 16 characters each line	
Input device	2 inputs (push button, door state sensor)	
Output device	2 relay outputs (lock, alarm)	
Reading distance	50mm (depending on transponder)	
Indicators	Buzzer and LED	
Housing	PC	
Temperature range	-20°C ~ +60°C / -4°F ~ +140°F	
Relative humidity	20-95% (non condensing)	

Specifications are subject to change without notice.

**Configuration**



## Relative Products



### Software Development Kit

IOAccess SDK is software development kit worked with CiVinTec Access Control & TA terminal for second development. It includes API, Host Demo, user manual and program example. It's developed by C++builder developing tool on Windows Operating system and GCC developing tool on Linux OS, compatible to VC,VB/VB.NET,JAVA,C++,C#.NET, DELPHI etc.



### Access Control & Time Attendance Software

- Access Control Software features to control network of Civintec devices by easy connectivity with PC. It's easy operation suitable for small-to-large sized organizations.
- Time Attendance Software is designed for one-click solution to literally get complete monthly T&A reports for all users. Data can be exported for further processing.



### Hardware Testing Package (HTP)

A plug & play Hardware Testing Package (HTP) is provided to ease your fast testing and evaluation.

Package list:

- Testing Board
- Power supplier
- RS232 cable
- Wire
- Testing Cards
- RS232 / RS485 converter



### Relative Hardware

- EL500-X-2B can register a few number cards on stand-alone application, and professional desktop reader EL200-U is required for card batch issuing on stand-alone or network application.
- Full range of cards and tags available to meet complete solution