

New Smart Series

CN6XX(S)-X 13.56MHz Desktop Reader

- ISO18092 NFC, ISO14443A/B, ISO15693
- Mifare, Mifare Plus, DesFire EV1, Felica
- ISO7816 (T=0,T=1) contact SAM



CN6XX(S)-X New Smart Reader is contactless Desktop reader to read/write 13.56MHz technology, including ISO14443A/B, Mifare, DesFire EV1, Mifare Plus, ISO15693 and read Sony Felica. It is compliant with ISO18092 NFC for Passive and Active communication. It is as well with build-in SAM socket compliant to ISO7816 (T=0, T=1) to enhance security.

CN6XX(S)-X is designed as Plug & Play smart card reader benefit from CCID compatible USB or RS232, and suitable for various smart card applications, as smart card issuing and programming, personal identification or e-payment etc.

Software Development Kit (SDK) provide robust API library and DLL for user development, and compatible to comprehensive Operation System as Win CE, Windows and Linux.

▶ Advantages

- ◆ Support ISO/IEC18092 NFC Peer-to-Peer mode
- ◆ Support High-Level Command of Mifare Plus, DesFire EV1 (DES/3DES, 3k3DES, AES) on hardware
- ◆ One build-in ISO7816(T=0 T=1) SAM socket for high strength encrypted transmission as option
- ◆ Compliant with CCID eliminate the need for driver Installation [CN6XX(S)-XC]
- ◆ Support High Speed of ISO14443 up to 848 kbps
- ◆ Built-in anti-collision (at least one card is detected when several cards are presented)
- ◆ Selective card polling capability (useful when several cards are presented)
- ◆ Auto answer mode: permanent reading and sending the ID number
- ◆ Excellent and compact design, can be placed on metal surface
- ◆ Firmware upgradable
- ◆ Firmware customized design to meet various requirement

▶ Applications

- ◆ Encoding
- ◆ Physical/ Logical access control & Time attendance
- ◆ Personal Identification
- ◆ E-payment
- ◆ Electronic ticketing for public transportation
- ◆ Toll collection and parking
- ◆ Vending machines
- ◆ Loyalty System



▶ Family Member

	CN613(S)	CN663(S)	CN670(S)
ISO15693	•		
ISO14443A	•	•	•
ISO14443B	•		•
Ultralight C	•		•
Mifare	•	•	•
Mifare Plus	•	•	•
DESFire EV1	•	•	•
NFC			•
Felica			•

▶ Order Code

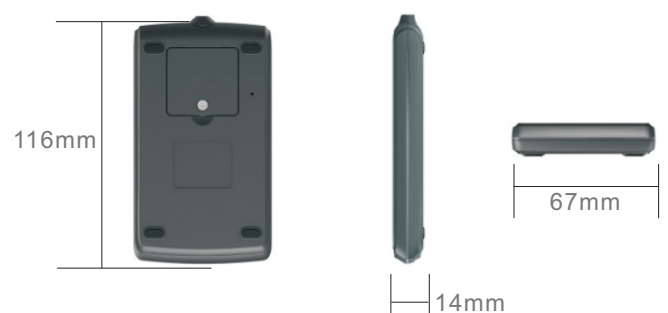
CN6XX(S) -X(C)

CCID Compliant option
C = CCID Compliant
Default = without CCID Compliant

Interface
U = USB
2 = RS232

SAM Socket option
S = with build-in SAM socket
Default = without SAM socket

▶ Product Images



► **Specifications**

Model	CN613(S)-X(C)	CN663(S)-X(C)	CN670(S)-X(C)
Operating Frequency	13.56MHz; APDU command		
Contactless Standard	ISO14443A 4(part 1-4), Mifare, Mifare Plus, DESFire EV1		
	ISO14443B, ISO15693	-----	ISO14443B, Felica; ISO18092 NFC
Contactless Card Interface	Mifare Ultralight, Ultralight C, Mifare 1K/4K, Mifare Pro/Prox, Mifare Plus, DESFire EV1, SLE55Rxx, SLE66CL 160S and other ISO14443A compatible cards		
	ISO15693, TagIt, I-Codell, I-Codell, MY-D, SRI 512/2k/4k/X4k and other ISO14443B compatible cards	-----	ISO18092 NFC NTAG203, Mifare Plus, DESFire EV1; Sony Felica; SRI 512/2k/4k/X4k and other ISO14443B compatible cards
Contact Standard	ISO 7816 1/2/3, Class B,C (3V,1.8V), T=0 and T=1		
SAM Slot	One build-in SAM slot as option		
Dimension	116*67*14mm		
Power Supply	5V DC (±5%), Power supplied from USB		
Power Down	Sleep Mode		
Current Consumption	<120 mA		
Communication Rate	106 -848 kbps High speed transaction		
Baud Rate	9600-115200 bit/s (default 115200)		
Indication	Controllable two-color LED, one buzzer: Red LED: Power state; Green LED: Normal Reading state;		
Interface	USB or RS232 (with USB for power)		
Communication Cable	1.5 meter long USB communication cable 1.5 meter long RS232 communication cable with splitter for the USB		
Reader driver	USB 2.0 Win7, Win8, XP, Vista, Linux; CCID compliant [CN6XX(S)-XC]		
Operating System	Windows98,2000,Vista,XP,7,8;Server2003&2008,ME98;WinCE6.0/CE.net;Linux;Android		
Operating Distance	30 -100mm (depending on antenna, transponder)		
Operating Temperature	0° C ~ +60° C / +32° F ~ +140° F		
Storage temperature	-10° C ~ +65° C / +22° F ~ +149° F		
Operating Humidity	5 ~ 90% relative humidity non-condensing		
Special Feature	USB/RS232 for Easy firmware update. The Customized firmware could be implemented to meet the user's special requirement.		

Specifications are subject to change without notice.

► **Software Development Kit**

CNReader SDK is software development kit worked with CN3XX and CN6XX product series for second development. It includes API, Host Demo, user manual, USB driver and program example. It's developed by C++builder developing tool on Windows Operating system and GCC developing tool on Linux OS, compatible to VC,VB/VB.NET, C++,C#.NET, DELPHI etc. It also offers special Host Demo and API for Mifare Plus and DESFireEV1, NFC and SAM.

Features

- ◆ SDK is available with some special benefits for customer's development
- ◆ Stronger and powerful informative API to save your time and cost for development
- ◆ Examples for good reference and understanding, using developing tools like Delphi, C++ Builder, C#, .NET, VC, VB/VB.NET etc.
- ◆ APDU channel packaged into API to operate all commands of smart card.
- ◆ Comprehensive platform to provide flexibility by customer side:
Operating System: Linux and Windows. Support Win 98, Win ME, Win 2000, Win 2003, Win 2003 x64, Win XP, Win XP x64, Win Vista, Win Vista x64, Win 2008, Win 2008 x64, Win 2008 R2 x64, Win 7, Win 7 x64, Win8
- ◆ Host Demo, a software testing tool to ease and simply development