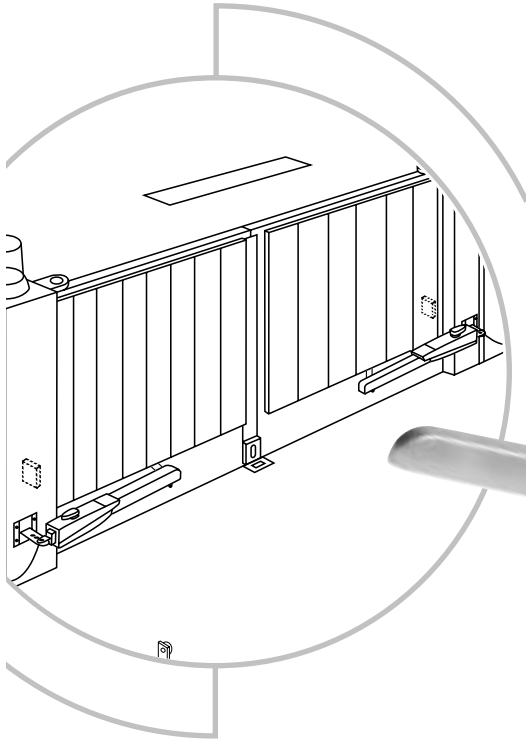


SCS Series

Wing Gate Operator



Manual Release with Key Lock



Covered Screw Actuator



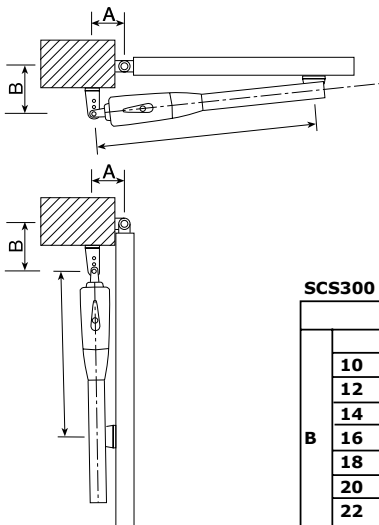
Professional Post-Connection



Post Brackets – Universal Usage



8mm Steel Heavy-Duty Door Bracket



SCS300

		A						
		10	12	14	16	18	20	22
B	10		115°		110°	105°	100°	
	12		110°	121°	101°	100°	94°	
	14		108°	105°	93°	100°	92°	
	16		106°	95°	87°			
	18			93°				
	20						A=15cm B=15cm	=ca. 90°
22								

engineered with the professional mind...

...for customers that demand the best

• Symmetrical Design

Fits both right and left hand installations, making it convenient to install and the best operator to have in stock at all times.

• Long-lasting durability

Each model features a powder-coated, die-cast aluminum housing to resist rust and corrosion.

• Everything you need is included

Complete installation instructions and all required hardware are provided

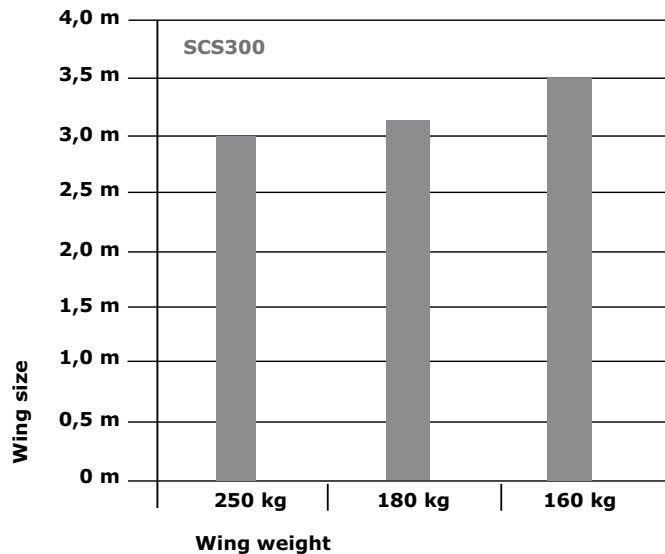
• Added security

Each model features a manual key lock release that will only operate with a removable key for added assurance during power outages.

• Heavy duty

Rugged steel screw and gearing provide years of reliable, quiet performance.

two-year warranty



Specification Chart

		SCS300	SCS300KS Kit	SCS300K Kit	SCS300K-120 Kit
Number of Operators		1	1	2	2
Voltage In	V AC	230	230	230	127
Frequency	Hz	50	50	50	60
Power	W	280	280	280	280
Current	A	1.2	1.2	1.2	2.4
Rated Thrust	N	250	250	250	250
Capacitor	microF	6.3	6.3	6.3	25
Thermal Overload Protection	deg C	140°	140°	140°	140°
Motor Speed	RPM	1400	1400	1400	1650
Travel Speed (arm)	mm/s	20	20	20	20
Travel	mm	340	340	340	340
Duty Cycle (max)	cycles/hr	20	20	20	20
Working Temperature Range	deg C	-20°C to 55°C	-20°C to 55°C	-20°C to 55°C	-20°C to 55°C
Protection Class		I	I	I	I
Degree of Protection	IP	44	44	44	44
Weight (arm)	kg	6.6	6.6	6.6	6.6
Electronic Controls		no	yes	yes	yes
Remote Controls		no	2 x 3ch mini	2 x 3ch mini	2 x 3ch mini
Frequency	MHz	N/A	433.92	433.92	390
IR Sensor		no	yes	yes	yes
Flashing Light		no	yes	yes	yes
Key Switch		no	yes	yes	yes
Antenna Kit		no	yes	yes	yes
Max Gate Wing Length	m	3	3	3	3
Max Gate Weight at max Wing Length	kg	250	250	250	250



Install all equipment in compliance with EN60335-2-103

OPTIONAL ACCESSORIES:

- **600091** Main Switch
- **600008** IR Stand
- **600084** Emergency Stop
- **600046** Safety Edge

- **600015** Key Switch Stand
- **100263** Extra Infrared Sensors
- **4330E/4332E/4333E/4335E** Remote Controls
- **747E** Wireless Keyless Entry