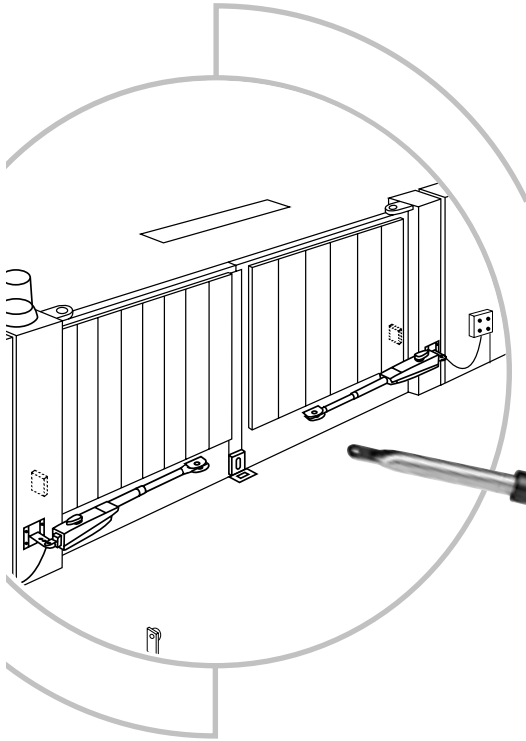


LYN Series

Wing Gate Operator



Manual Release with Key Lock



Linear Actuator



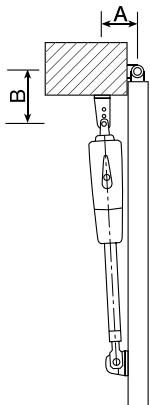
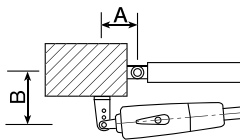
Post Brackets - Universal Usage



Professional Post-Connection



Heavy-Duty Door Bracket



LYN300

		A								
		10	12	14	16	18	20	22		
B	10		115°							
	12		110°	121°	110°	105°	100°			
	14		108°	105°	101°	100°	94°			
	16		106°	95°	93°	100°	92°			
	18			93°	87°	87°				
	20							A=15cm B=15cm	=ca. 90°	
	22									⚠

LYN400

		A								
		14	16	18	20	22	24	26		
B	14	105°	120°	125°	111°	105°	99°	95°		
	16	103°	118°	113°	102°	98°	94°	90°		
	18	111°	115°	105°	97°	93°	90°			
	20	109°	103°	96°	90°	87°/118°				
	22	106°	95°	90°					A=19cm B=19cm	=ca. 90°
	24	93°								
	26									⚠

engineered with the professional mind

• Symmetrical Design

Fits both right and left hand installations, making it convenient to install and the best operator to have in stock at all times.

• Long-lasting durability

Each model features a powder-coated, die-cast aluminum housing to resist rust and corrosion.

• Everything you need is included

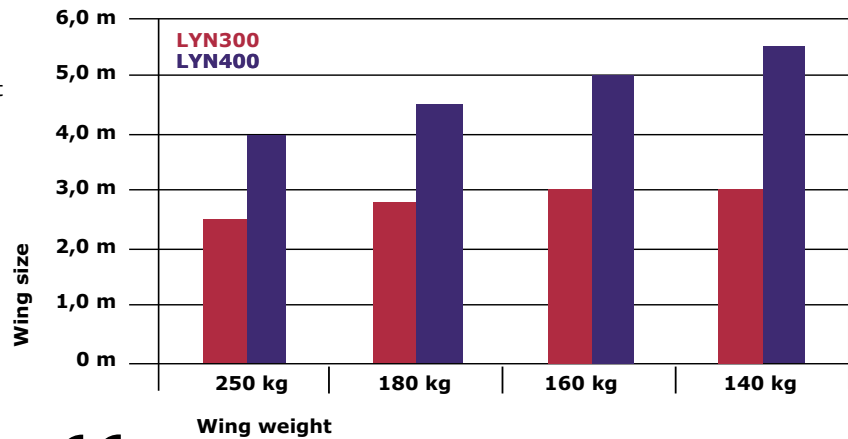
Complete installation instructions and all required hardware are provided

• Added security

Each model features a manual key lock release that will only operate with a removable key for added assurance during power outages.

• Heavy duty

Rugged steel screw and gearing provide years of reliable, quiet performance.



Install all equipment in compliance with EN60335-2-103



two-year warranty

Specification Chart

		LYN300	LYN300KS Kit	LYN300K Kit	LYN300K-120 Kit	LYN400	LYN400KS Kit	LYN400K Kit	LYN400K-120 Kit
Number of Operators		1	1	2	2	1	1	2	2
Voltage In	V AC	230	230	230	127	230	230	230	127
Frequency	Hz	50	50	50	60	50	50	50	60
Power	W	280	280	280	280	280	280	280	280
Current	A	1.2	1.2	1.2	2.4	1.2	1.2	1.2	2.4
Rated Thrust	N	250	250	250	250	250	250	250	250
Capacitor	microF	6.3	6.3	6.3	25	6.3	6.3	6.3	25
Thermal Overload Protection	deg C	140°	140°	140°	140°	140°	140°	140°	140°
Motor Speed	RPM	1400	1400	1400	1650	1400	1400	1400	1650
Travel Speed (arm)	mm/s	20	20	20	20	12	12	12	12
Travel	mm	300	300	300	300	400	400	400	400
Duty Cycle (max)	cycles/hr	20	20	20	20	10	10	10	10
Working Temperature Range	deg C	-20°C to 55°C	-20°C to 55°C	-20°C to 55°C	-20°C to 55°C	-20°C to 55°C	-20°C to 55°C	-20°C to 55°C	-20°C to 55°C
Protection Class		I	I	I	I	I	I	I	I
Degree of Protection	IP	44	44	44	44	44	44	44	44
Weight (arm)	kg	6.85	6.85	6.85	6.85	7.15	7.15	7.15	7.15
Electronic Controls		no	yes	yes	yes	no	yes	yes	yes
Remote Controls		no	2 x 3ch mini	2 x 3ch mini	2 x 3ch mini	no	2 x 3ch mini	2 x 3ch mini	2 x 3ch mini
Frequency	MHz	N/A	433.92	433.92	390	N/A	433.92	433.92	390
IR Sensor		no	yes	yes	yes	no	yes	yes	yes
Flashing Light		no	yes	yes	yes	no	yes	yes	yes
Key Switch		no	yes	yes	yes	no	yes	yes	yes
Antenna Kit		no	yes	yes	yes	no	yes	yes	yes
Max Gate Wing Length	m	2.5	2.5	2.5	2.5	4	4	4	4
Max Gate Weight at max. wing length	kg	250	250	250	250	250	250	250	250

OPTIONAL ACCESSORIES:

- **600091** Main Switch
- **600008** IR Stand
- **600084** Emergency Stop
- **600046** Safety Edge
- **600015** Key Switch Stand
- **100263** Extra Infrared Sensors
- **4330E/4332E/4333E/4335E** Remote Controls
- **747E** Wireless Keyless Entry