

AC2000 Lite System Server

Features that make a difference:

- Maintains the database for the AC2000 Lite System
- Intelligent embedded network device for access control and alarm monitoring with the CEM AC2000 Lite system
- On-board Ethernet connectivity
- Supports up to 128 doors (256 readers IN/OUT)
- Supports up to 5 operator workstations
- Storage capacity for up to 10,000 card records
- TCP/IP based configuration/ diagnostics available via web browser
- Reader and workstation quantities controlled by license codes

The AC2000 Lite System Server is the central component of the AC2000 Lite security management system that can support up to 128 doors (256 readers IN/OUT).

A server unit with Linux operating system, the AC2000 Lite System Server provides Ethernet connectivity to a range of CEM Ethernet readers and controllers including the S610e reader, EtherProx reader and the DCM 300 intelligent two-door controller.

The number of readers and workstations that can be added to the AC2000 Lite System Server is controlled by license codes. As standard, the System Server provides support for up to 64 readers and one workstation. Should client requirements exceed this standard, the Server can be upgraded to support 128 doors and up to 5 workstations. The upgrade can be performed on site instantly by entering a valid license code resulting in minimal disruption to the system operation.

The AC2000 Lite System Server is designed to be extremely easy to install. A simple to use web-based configuration tool is provided to perform the basic system configuration and ongoing maintenance. Web tools offer easy management of the Linux operating system via leading browser types.

The system database can be fully administered by the AC2000 Lite software running on a network connected workstation.

Reader Network

The AC2000 Lite System Server resides on the network and connects to all other readers on the network via TCP/IP. The System Server can support up to 128 doors (256 readers IN/OUT).

Easy to Install

The System Server is designed to be extremely easy to install. The installer simply enters the units pre-configured IP address on a web browser to access the configuration menus. Once the basic configuration parameters are set, the system can be fully maintained by the AC2000 Lite software running on a network connected workstation.

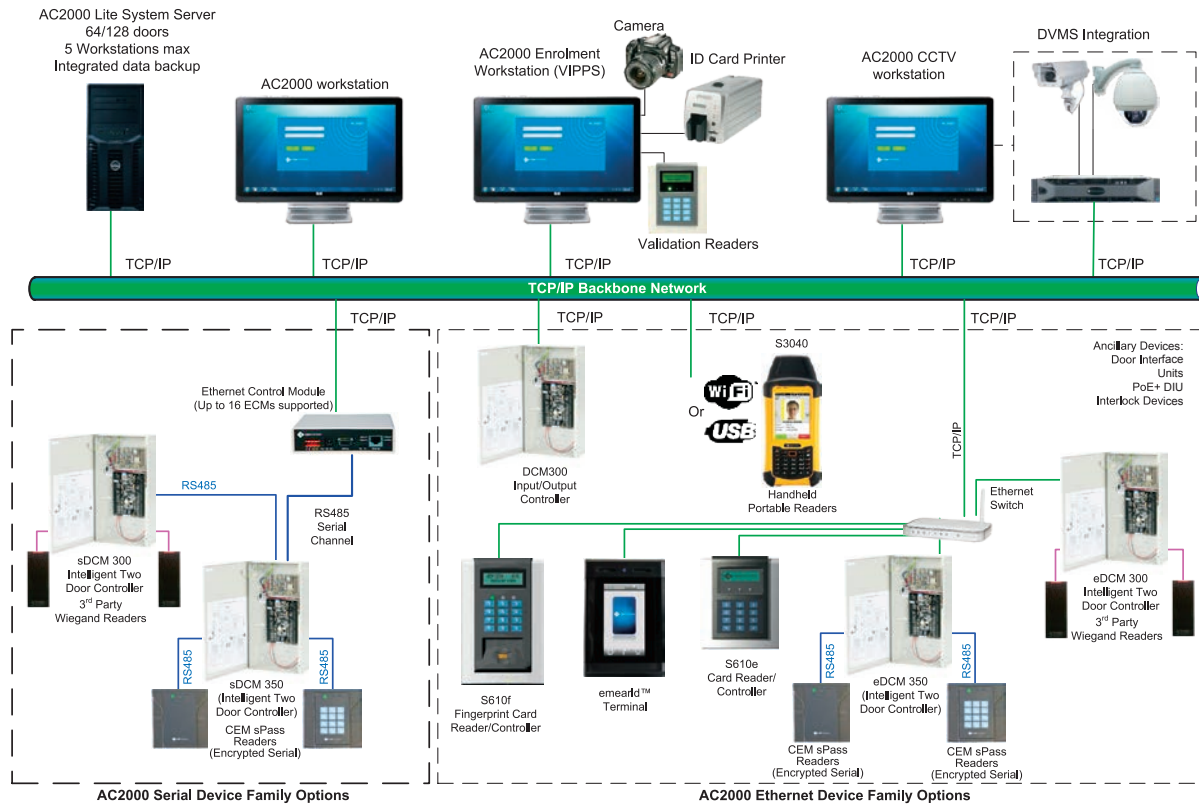
System Expansion

The AC2000 Lite System Server has a base configuration that supports 64 doors and a single workstation. Upgrade codes can be used to expand the system to support up to 128 doors and 5 workstations.

If a site expands beyond the capabilities of AC2000 Lite, an upgrade path exists to convert it to an AC2000 SE system, which is practically unlimited.

On-board Database

The System Server manages the system database for up to 10,000 cardholder records. The records can include cardholder details, Photo ID, access level and time zone details.



Recommended Lite System Server Specification

- Intel Celeron G550 (2.60 GHz, 2C/2T, 2M Cache)
- 2GB Memory (1x2GB), 1600Mhz, Single ranked, Low volt UDIMM (Speed is CPU dependent)
- 500GB, SATA 3.5in, 7.2K RPM Hard drive (Cabled)
- UK 250V 2M Power Cord 10A
- Embedded BMC
- C1 4HD – No RAID with on board SATA controller, Min 1 Max 4 SATA drives

Ordering Information

Product Code	Description
SYS/650/064	AC2000 Lite System Server - Dell Server (64 Door Licence)
SYS/650/128	AC2000 Lite System Server - Dell Server (128 Door Licence)
SYS/500/001	AC2000 Lite System Server Upgrade 64 to 128 Door (Licence)
SYS/500/000	AC2000 Lite Workstation License (AC2000 Lite can support up to 5 workstations)

Related Products



AC2000 Lite

www.cemsys.com