

SALTO SALLIS

Wireless Lock



Features that make a difference:

- Seamless integration to the CEM AC2000 System
- Cost effective solution for wireless doors
- Real-time transactions & Alarm events displayed within AC2000
- Flexible design that can be fitted to almost any door (Narrow Profile, aluminium doors, heavy duty doors, panic bars, glass doors etc)
- Secure communication between lock and node via 2.4Ghz 802.15.5 with an AES 128bits encryption
- Support for a Mifare/DESfire smart card technologies

The AC2000 SALTO SALLIS wireless lock integration offers a seamless interface to the CEM AC2000 system, allowing for up to 64 doors to be controlled wirelessly through a single SALLIS Router.

Using the SALTO SALLIS solution a user can badge their credentials at a SALTO SALLIS lock. The lock will then send the relevant information to the SALTO wireless Nodes. The information sent from these nodes will be routed to the AC2000 Access Control System through a Salto Router. The AC2000 System will then take the decision based on the information received and the access control rights. The result will be sent back to the SALLIS Locks through the SALTO SALLIS Infrastructure and the user will be granted or denied access by the locks accordingly in Real-Time.

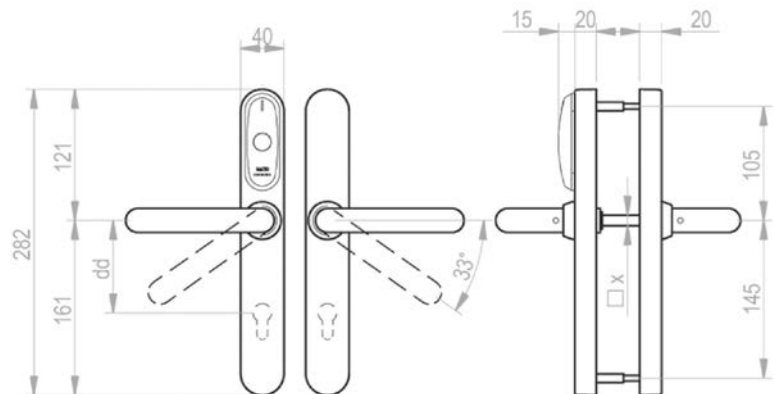
The SALTO SALLIS Wireless solution offers a cost effective technology that can dramatically reduce installation costs and allows for greater flexibility. The SALTO SALLIS wireless locks can be installed on almost any type of door ranging from narrow profile, aluminum doors, heavy duty doors, panic bars, and glass doors to name a few. The use of wireless communication also increases the security of your access control system by providing real-time information to and from the door.

Lock Features

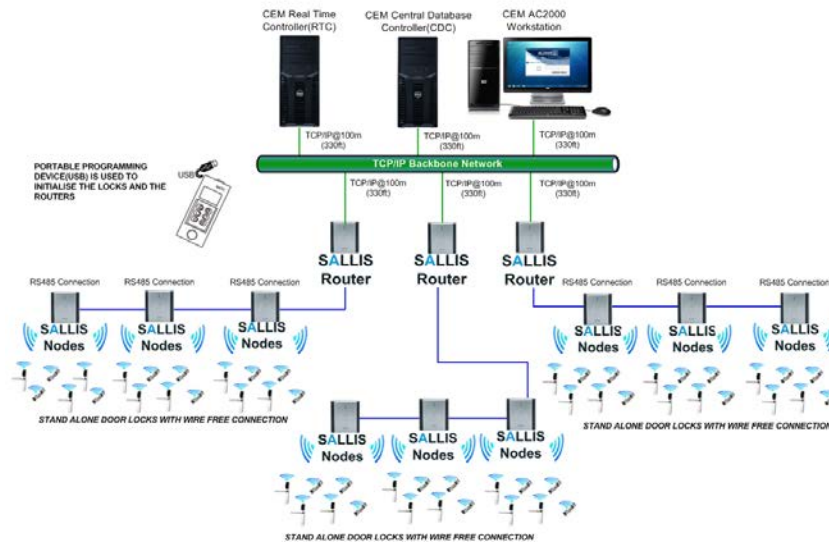
- Wireless radio frequency based on IEEE 802.15.4@2.4Ghz
- AES 128 bits encryption
- Card technologies available: Mifare/DESfire
- Battery powered (3 standard AAA batteries or 3 AA batteries depending on the model)
- Firmware updated via PDD
- 600 event audit trail back up
- Clutch mechanism escutcheon when unlocked handle moves free
- Door thickness compatibility: 30mm to 115mm
- Square Spindles available: 7mm, 7.6mm split, 8mm, 8mm split, 9mm & 9mm split
- IP45 Compliant
- EN1634-1 EL160 Fire Resistant
- UL 10C Compliant (90min wooden doors).

Router Features

- Wireless radio frequency based on IEEE 802.15.4@2.4Ghz
- Connection to AC2000 Real Time Controller through TCP/IP
- Voltage required 12V
- Can manage up to 7 nodes and a maximum of 64 Door Locks



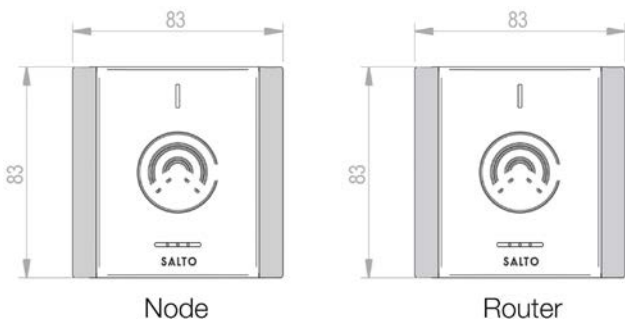
Lock Features



Ordering Information

Node Features

- Wireless radio frequency based on IEEE 802.15.4@2.4Ghz
- Connection to SALLIS Router through RS485 comms
- Can manage up to 16 locks



Alarms & Events

- Transactions (Card valid, Wrong zone, Wrong time-zone, Lost or Stolen card, Card expiring, Card expired, Not in system)
- Alarms (Door forced alarm, Tamper alarm, Door held Alarm, Door closed, Went offline alarm, Online Notification, Battery low alarm, Battery ok alarm)

Requirements

- AC2000 v6.6 software & upwards
- AC2000 Lite v6.6 software & upwards
- AC2000 Airport v6.6 software & upwards
- RTC Ethernet Reader Controller

Product Code	Description
SWSALTO-16	Salto Sallis 16 Door License
SWSALTO-32	Salto Sallis 32 Door License
SWSALTO-64	Salto Sallis 64 Door License
SWSALTO-128	Salto Sallis 128 Door License
SWSALTO-192	Salto Sallis 192 Door License
SWSALTO-256	Salto Sallis 256 Door License

Related Products



AC2000
AC2000 Airport
AC2000 Lite

www.cemsys.com