

Type 3 and 4 Lift Control Interface

Elevator control up to 32 or 64 floors



Features that make a difference:

- Each Type 3 Lift Control Interface can support one lift up to 32 floors
- Each Type 4 Lift Control Interface can support one lift up to 64 floors
- Type 3 and Type 4 Lift Control Interfaces connect to the CEM S9032LC Lift Controller - an intelligent embedded network device for control of lifts within the CEM AC2000 system
- Inputs on the Lift Control Interface unit can record which lift floor selection panel button was selected
- Reportable Cardholder traceability throughout the buildings floors using AC2000
- Type 3 and Type 4 Lift Control Interfaces come in lockable wall mount steel enclosures with inbuilt tamper protection

The CEM lift control solution allows seamless control and monitoring of access between elevator floors. Depending on how many floors need controlled, each lift must have a Lift Control Interface (LCI) unit, which is used in conjunction with the CEM S9032 lift controller.

As part of the CEM AC2000 system, options are provided for controlling up to 32 or 64 floors using the Type 3 or Type 4 LCI.

An LCI unit directly connects to a lift cabin floor selection panel. The LCI outputs activate buttons on the lift cabin floor selection panel according to the access permissions of the AC2000 cardholder. LCI inputs record which button was pressed.

The Type 3 LCI is fitted with two output cards (32 outputs), two input cards (32 inputs), and a power supply unit all mounted in an enclosure. The Type 4 LCI is fitted with four output cards (64 outputs) four input cards (64 inputs), and a PSU all mounted in an enclosure.

Lift Card Reader

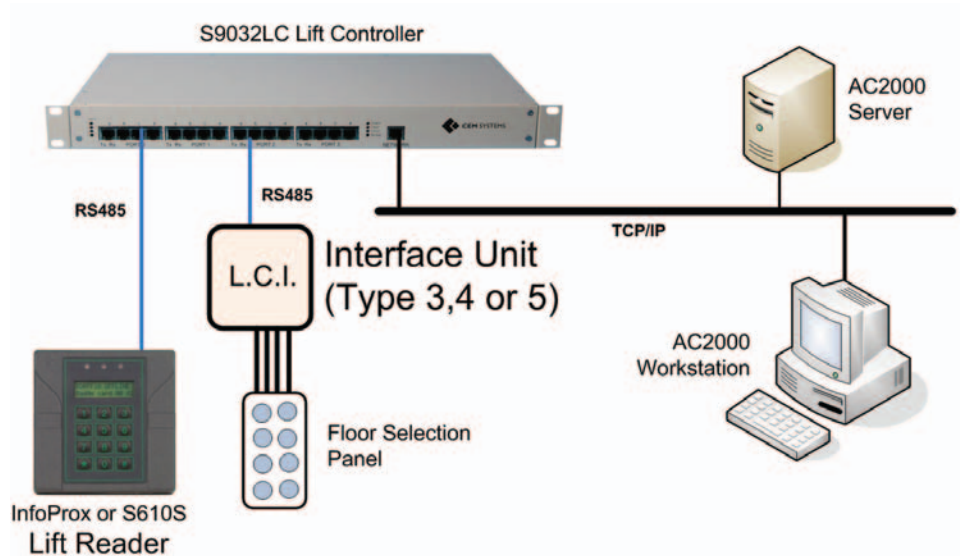
The Type 3 or Type 4 LCI also requires a CEM lift card reader. One lift card reader is required to be installed inside each lift cabin. A lift card reader can be an AC2000 serial card reader, either an InfoProx or an S610s in lift mode. The S610s card reader can also support an external 3rd party head if required, connected via Wiegand.

CEM Lift Controller

At the heart of the AC2000 lift control solution is the S9032 Lift Controller. The controller handles all access requests based on the access levels applied to any individual cardholder.

After a valid card transaction at the Lift Card Reader, an RS485 serial signal is sent by the S9032 Lift Controller to the LCI unit, the LCI switches outputs to the lift cabin Floor Selection Panel, enabling only the buttons the cardholder has access to.

When an enabled button is pressed the lift will function in the normal way. Each button may have a sensor, optionally connected to the LCI inputs. The LCI will send a signal back to the S9032 Lift Controller informing the AC2000 access control system which floor was selected.



The above diagram shows access control of one lift via the S9032 Lift Controller. The S9032LC can support two lifts, however each lift will require a separate reader and Lift Control Interface Unit. The lift card reader choice for the lift cabin can either be an InfoProx or S610s serial card reader. The S610s card reader can also support an external 3rd party read head if preferred, connected via Wiegand

Specification

Physical

Size 400 x 400 x 200 mm
(15.7 x 15.7 x 7.8 inches)
Weight 9.5kg
Housing Steel enclosure.
Colour Beige

Power

Voltage Mains power adapter 100-240Vac (supplied).
Output voltage 12Vdc @ 2.0A
Current Consumption 300mA

Environmental

Temperature -10° to 50°C (14° to 122°F)
Humidity 95% non condensing
LED Indicators Online/Offline, Ethernet connection,
Activity/Status, Power and Heartbeat.

Communications Interface

To S9032 Lift Controller RS485 with maximum length of 1.2km
LCI Connection to host Screw Terminals

LCI Input card –
Input connections 8 way JST male
LCI Output card –
Output connections. 6 way JST male

Requirements

- AC2000 SE
- AC2000 AE
- S9032 Lift Controller
- S610s card reader or InfoProx Reader

Ordering Information

Product Code	Description
DAC/390/L32	S9032 Lift Controller (up to two lifts)
IOC/000/009	Lift Control Interface Type 3 (up to 32 floors, one for each lift)
IOC/000/010	Lift Control Interface Type 4 (up to 64 floors, one for each lift)
RDR/611/10X	S610s Card Reader with PIN Supplied with LCD Display, keypad, with onboard database
SPASS-IPO-2X0-B	InfoProx Reader Supplied with LCD Display, keypad, with onboard database

Related Products



AC2000 SE



AC2000 AE

www.cemsys.com