

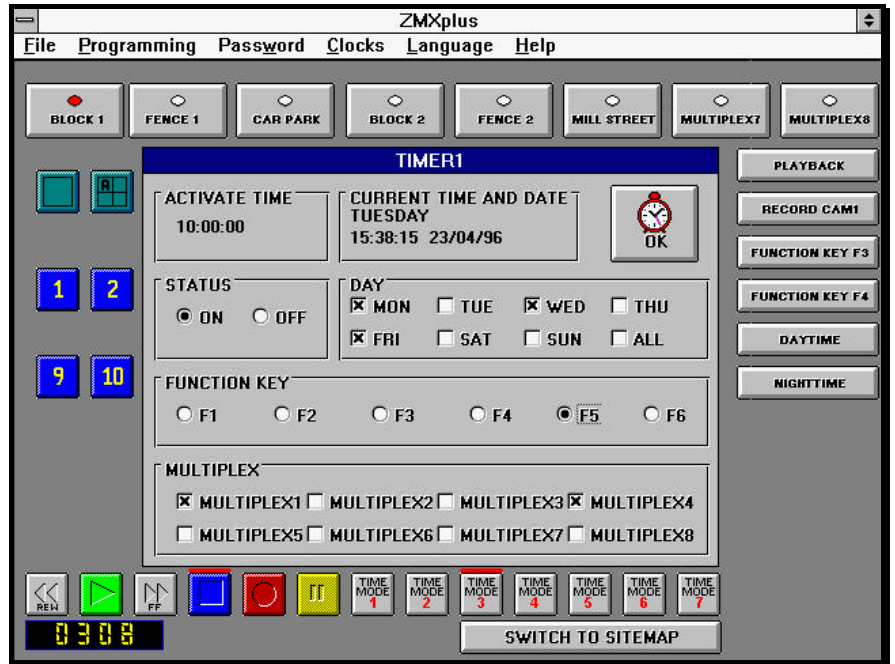
ZMXPLUS™ DATA SHEET

ZMXPLUS is a software package that allows PC control of certain products in a CCTV system. It is part of the "PLUS" range of software, which controls most multiplexers and VCRs.

The ZMXPLUS software specifically controls the Baxall ZMX multiplexers and most RS232 time lapse VCRs. It can be easily retrofitted in an existing system.

ZMXPLUS software benefits users of CCTV systems that include 1 or more multiplexers and 1 or more RS232 VCRs. Its unique features offer key benefits to the CCTV system user and installer.

- ◆ Automatic timers ensure potentially crucial recording operations in a CCTV system are controlled automatically, not left in the hands of operators. Key recording and multiplexer settings are software controlled ensuring the CCTV system records correctly at defined times and after defined events. Preventing recording errors is a crucial facility lacking in most CCTV systems.



- ◆ Using software means multiplexers and VCRs are not physically required on the control desk. Operators can concentrate on key tasks. Depending on system configurations, further cost savings can be made as ZMXPLUS removes the requirements for multiple multiplexer keyboards. Control for the whole CCTV system, multiplexers and VCRs is in one place, on the PC.
- ◆ Pre-programmed multiplexer and VCR functions in the software allow immediate set up of the function keys from any of 50 pre-programmed choices. This means accurate and quick set-up, maximising the full extent of the multiplexer's capabilities.

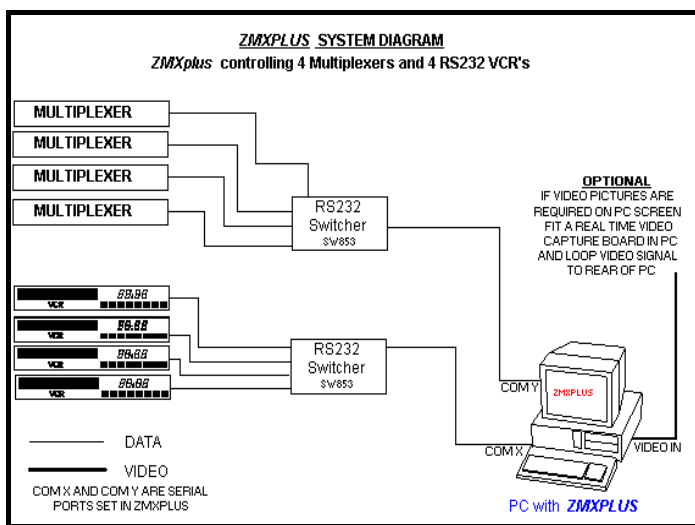
Options:

- ◆ SITEMAP software: This add on software package allows selection of cameras by clicking on a camera icon on a map layout. The camera icon can also trigger a function key allowing split screens or VCR functions to also be selected.
- ◆ PC video card: This allows the display of the multiplexer spot monitor output on the PC, reducing space requirements and saving the cost of a monitor.
- ◆ Touchscreen: PC operator control by touchscreen is possible with an optional PC monitor, further simplifying system operation.

ZMXPLUS software can be utilised in English, French, German, Italian, Spanish, Swedish or Finnish.

ZMXPLUS is a major breakthrough in improving the operation of CCTV systems.

<u>Hardware / Software</u>	<u>Requirements</u>
PC Ram	8 MB or above
PC & Display	486 66Mhz or higher with VGA or SVGA. Pentium recommended.
PC Hard drive	8 MB or above free
PC Floppy drive	3.5" 1.44MB
PC Pointing device	MS mouse, touchscreen or Compatible pointing device
PC Parallel port	1 parallel port
PC RS232 Communications ports	1 mouse / Touch Screen port. 1 serial port for every eight Multiplexers . 1 serial port for every eight RS232 VCR's.
PC Operating system	MS Windows 3.0 or above, Windows 95, Windows 98 and NT
Compatible VCR's New VCR's being added all the time.	MITSUBISHI 5600BRS/R6000S PANASONIC AG 6730/6760/6040 GYR TLC1800TDS / 2100 JVC BRS 920/925, BR9020, SR-S970, SRL910 SONY SVT-1000/S3050/5050/L230 SANYO TLS-2100 VISTA VVR-S480HR, VVR-168HR HITACHI VTL2500E/3000 PHILIPS LTC RANGE All above with RS232 option
Multiplexer	BAXALL ZMXPLUS multiplexer range (RS232 control) ASSOCIATED TELEMETRY VISTA GENERATION 3 standard multiplexer range (RS232 Control)



U.K. OFFICE	CCTV SOFTWARE LTD 37 CHA MBRES RD SOUTHPORT MERSEYSIDE PR8 6JG U.K. TEL +44 (0) 1704 548675 FAX +44 (0) 1704 548679	U.S. OFFICE	CCTV SOFTWARE INC 10506 MAIN STREET SUITE 415 FAIRFAX VA 22030 U.S.A. TEL +1 (703) 934-1050 FAX +1 (703) 934-1051
--------------------	--	--------------------	--

