

# GEN3PLUS™ DATA SHEET

GEN3PLUS is a software package that allows PC control of certain products in a CCTV system. It is part of the "PLUS" range of software, which controls most multiplexers and VCRs.

The GEN3PLUS software specifically controls the Vista Generation 3 multiplexers and most RS232 time lapse VCRs. It can be easily retrofitted in an existing system.

GEN3PLUS software benefits users of CCTV systems that include 1 or more multiplexers and 1 or more RS232 VCRs. It's unique features offer key benefits to the CCTV system user and installer.

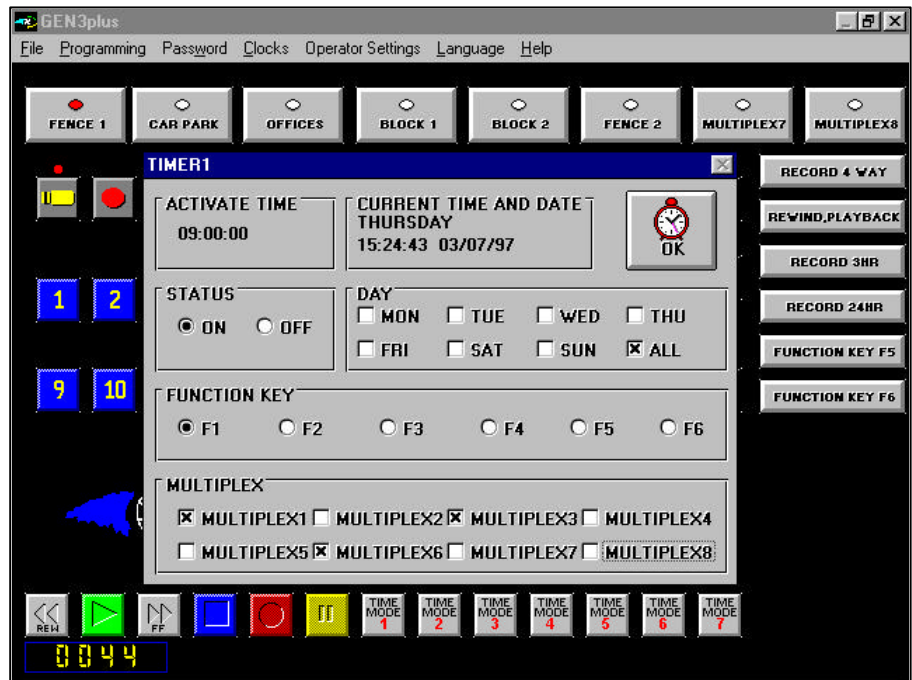
- ◆ Automatic timers ensure potentially crucial recording operations in a CCTV system are controlled automatically, not left in the hands of operators. Key recording and multiplexer settings are software controlled ensuring the CCTV system records correctly at defined times and after defined events. Preventing recording errors is a crucial facility lacking in most CCTV systems.
- ◆ Using software means multiplexers and VCRs are not physically required on the control desk. Operators can concentrate on key tasks. Depending on system configurations, further cost savings can be made as GEN3PLUS removes the requirements for multiple multiplexer keyboards. Control for the whole CCTV system, multiplexers and VCRs are in one place, on the PC.
- ◆ Pre-programmed multiplexer and VCR functions in the software allow immediate set up of the function keys from any of 50 pre-programmed choices. This means accurate and quick set-up, maximising the full extent of the multiplexer's capabilities.

## Options:

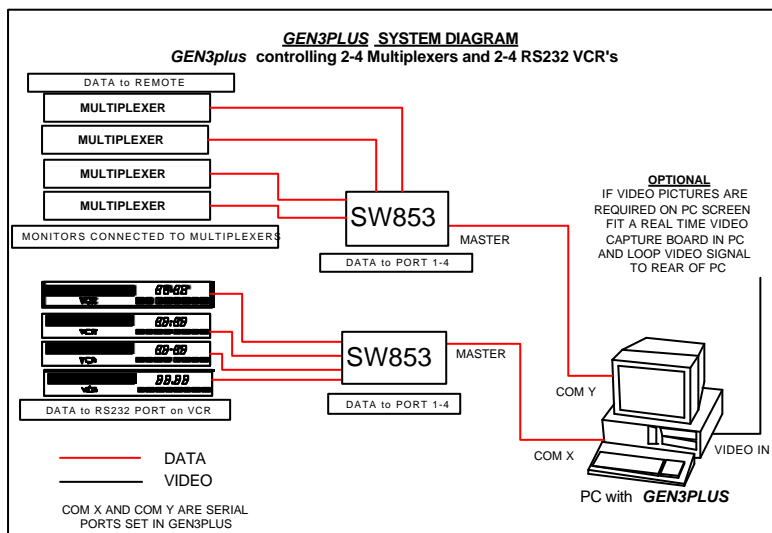
- ◆ SITEMAP software: This add on software package allows selection of cameras by clicking on a camera icon on a map layout. The camera icon can also trigger a function key allowing split screens or VCR functions to also be selected.
- ◆ PC video card: This allows the display of the multiplexer spot monitor output on the PC, reducing space requirements and saving the cost of a monitor.
- ◆ Touchscreen: PC operator control by touchscreen is possible with an optional PC monitor, further simplifying system operation.

GEN3PLUS software can be utilised in English, French, German, Italian, Spanish, Swedish or Finnish.

GEN3PLUS is a major breakthrough in improving the operation of CCTV systems.



<u>Hardware / Software</u>	<u>Requirements</u>
PC Ram	8 MB or above
PC & Display	486 66Mhz or higher with VGA or SVGA. Pentium recommended.
PC Hard drive	8 MB or above free
PC Floppy drive	3.5" 1.44MB
PC Pointing device	MS mouse, touchscreen or Compatible pointing device
PC Parallel port	1 parallel port
PC RS232 Communications ports	1 mouse / Touch Screen port. 1 serial port for every eight Multiplexers. 1 serial port for every eight RS232 VCR's.
PC Operating system	MS Windows 3.0 or above, Windows 95, 98 or NT
Compatible VCR's  New VCR's being added all the time.	MITSUBISHI 5600BRS/R6000S PANASONIC AG 6730/6760/6040 GYYR TLC1800TDS / 2100 JVC BRS 920/925, BR9020, SR-S970, SRL910 SONY SVT-1000/S3050/5050/L230 SANYO TLS-2100 VISTA VVR-S480HR, VVR-168HR HITACHI VTL2500E/3000 PHILIPS LTC RANGE All above with RS232 option
Multiplexer	VISTA Generation 3 Standard / Ultra Multiplexer Ranges (RS232 Control) Baxall ZMX / ZMXPLUS Multiplexer Ranges (RS232 control) Associated Telemetry.



**GEN3plus is a**  
**CCTV SOFTWARE**  
product

<b>U.K. OFFICE</b>  TEL +44 (0) 1704 548675 FAX +44 (0) 1704 548679	CCTV SOFTWARE LTD 37 CHAMBRES ROAD SOUTHPORT MERSEYSIDE PR9 6JG U.K.  TEL +44 (0) 1704 548675 FAX +44 (0) 1704 548679	<b>U.S. OFFICE</b>  TEL +1 (703) 934-1050 FAX +1 (703) 934-1051	CCTV SOFTWARE INC 10560 MAIN STREET SUITE 415 FAIRFAX VA 22030 U.S.A.  TEL +1 (703) 934-1050 FAX +1 (703) 934-1051  Ref:DSGEN3PLUS
<b>E-MAIL <a href="mailto:cctvsoftware@compuserve.com">cctvsoftware@compuserve.com</a> INTERNET PAGE <a href="http://www.cctvsoftware.com">www.cctvsoftware.com</a></b>			