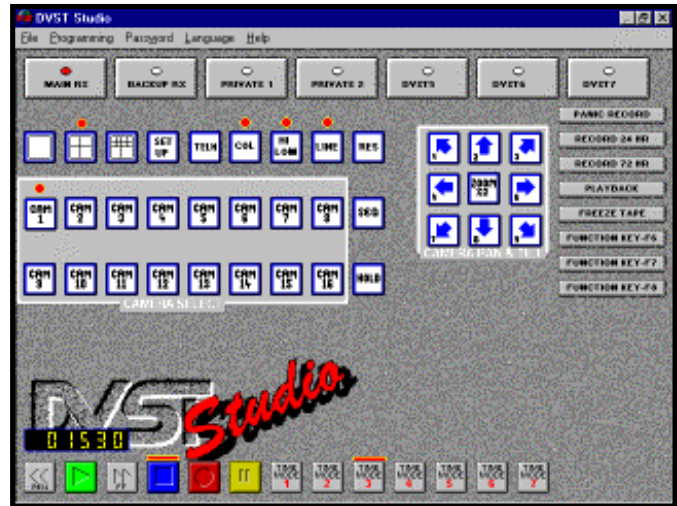


DVST STUDIO™ DATA SHEET

DVST STUDIO is a software package that allows PC control of certain products in a CCTV system. It is part of the "Studio" range of software, which controls video transmission products.

The DVST STUDIO software specifically controls the dedicated micros DVST transceivers. It can be easily retrofitted in an existing system. The DVST video transmission equipment allows full-frame colour or monochrome images to be transmitted across standard telephone lines to a central location.

DVST STUDIO software allows control of the DVST equipment from any PC running Windows™. This makes control of multiple units easy and allows integration with other Windows based control software. If used with our 'plus' range of multiplexer control software then multiplexers and VCR's on a remote site can be controlled from the same PC.



DVST STUDIO controls DFT-0100 and DFT-0200 transmission units. It also controls most RS232 VCR's to allow quick recording of incidents or playback control from one control position without having to leave the screen.

DVST STUDIO has the ability to control pan, tilt and zoom cameras, and has a special setup option for easy programming of the DVST equipment.

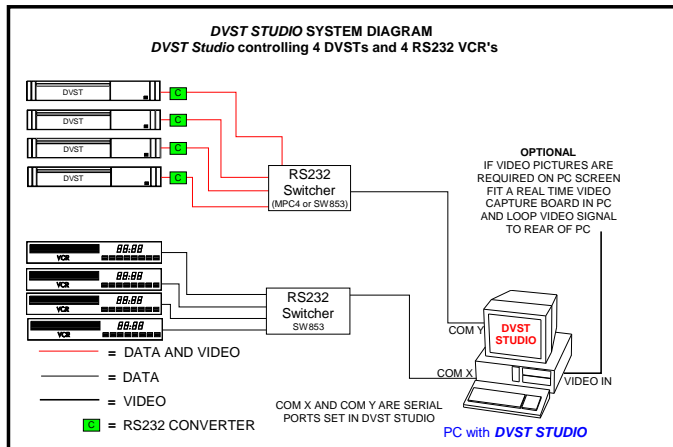
Key features are:

- ◆ Control for up to 8 DFT0100 or 0200 DVST transceivers.
- ◆ Control of most RS232 VCR's on the market for quick VCR control from the same screen.
- ◆ Integration with other Windows software such as our 'plus' range multiplexer control software or Camfunction dome / telemetry control software to allow equipment on remote sites to be controlled from the same PC.
- ◆ Control over a computer network gives multiple users control of the CCTV system. Each PC with network control must be running DVST studio.

DVST STUDIO software can be utilised in English, French, German, Italian, Spanish Swedish or Finnish.

DVST STUDIO is a major breakthrough in the control of DVST systems.

| <u>Hardware / Software</u> | <u>Requirements</u> |
|--|---|
| PC Ram | 8 MB or above |
| PC & Display | 486 66Mhz or higher with VGA or SVGA. Pentium recommended. |
| PC Hard drive | 8 MB or above free |
| PC Floppy drive | 3.5" 1.44MB |
| PC Pointing device | MS mouse, touchscreen or Compatible pointing device |
| PC Parallel port | 1 parallel port |
| PC RS232 Communications ports | 1 mouse / Touch Screen port. 1 serial port for every seven Multiplexers . 1 serial port for every seven RS232 VCR's. |
| PC Operating System & Network | Windows 95, 98, NT with TCP/IP protocol for network operation |
| Compatible VCR's or digital recorders New VCR's and digital recorders being added all the time. | MITSUBISHI 5600BRS/R6000S PANASONIC AG 6730/6760/6040 GYR TLC1800TDS / 2100 JVC BRS 920/925, BR9020, SR-S970, SRL910 SONY SVT-1000/S3050/5050/L230, HSR-1 SANYO TLS-2100, DTL-4800, TLS-9960 VISTA VVR-S480HR, VVR-168HR HITACHI VTL2500E/3000 PHILIPS LTC RANGE All above with RS232 option |
| Transmission Equipment | Dedicated Micros DVST DFT0100/DFT0200 Range |



| | | | |
|--------------------|---|--|---|
| U.K. OFFICE | CCTV SOFTWARE LTD 37 CHAMBRES ROAD SOUTHPORT MERSEYSIDE PR9 6JG U.K. +44 (0) 1704 548675 +44 (0) 1704 548679 | U.S. OFFICE | CCTV SOFTWARE INC 10560 MAIN STREET SUITE 415 FAIRFAX VA 22030 U.S.A sales@cctvsoftware.net |
| TEL FAX | | E-MAIL sales@cctvsoftware.co.uk INTERNET PAGE www.cctvsoftware.com | |
| | | Ref:DSDVSTSTUDIO 052002 | |