

Network Camera

VB-C60 and VB-C60B

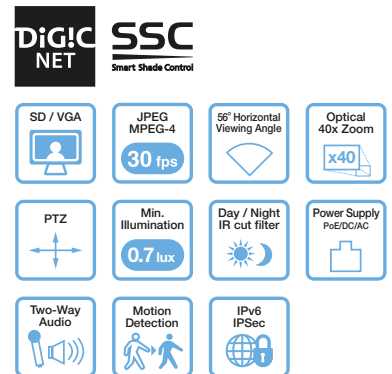
you can



Whatever your monitoring needs, it's got them covered. The VB-C60 PTZ network camera boasts a class-leading 40x zoom lens with Image Stabilizer, great for long-range monitoring. Intelligent features, Smart shade control and full duplex audio making it ideal for premium surveillance uses.

Key features

- Two colour options: Silver (VB-C60) and Black (VB-C60B)
- Canon PTZ mechanism with 40x optical zoom, Auto Focus and Image Stabilizer
- Distribution of Motion JPEG and MPEG4 video at up to 640 x 480 pixels
- Progressive scan CCD captures clear moving subjects at up to 30 fps
- Exceptional low-light performance: colour images as low as 0.7 lux with Auto Day/Night switching
- Full-duplex audio: transmit live audio to and from the camera site
- Built-in terminals for connection of external devices
- Optional smoked and clear domes for discreet monitoring
- Diverse image processing and camera functions for high quality images
- Powerful network data transmission for smooth video
- Intelligent functions for efficient surveillance such as motion detection, image upload and subject auto tracking
- Optional housings and mounts for versatile indoor and outdoor installations.



Canon

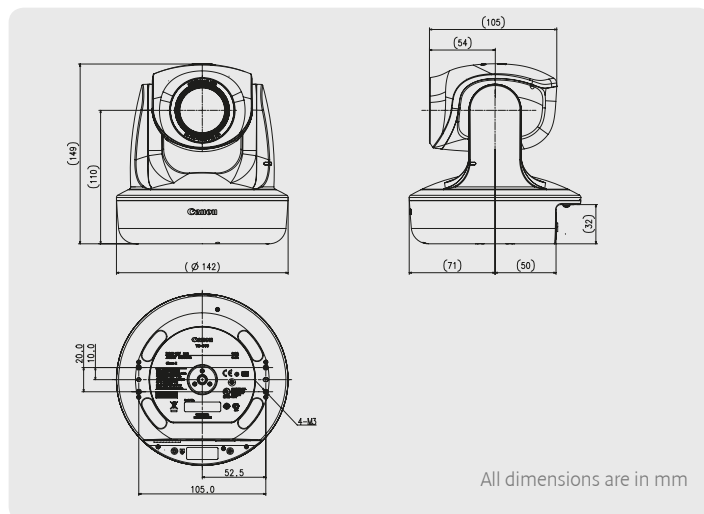
VB-C60

Specifications

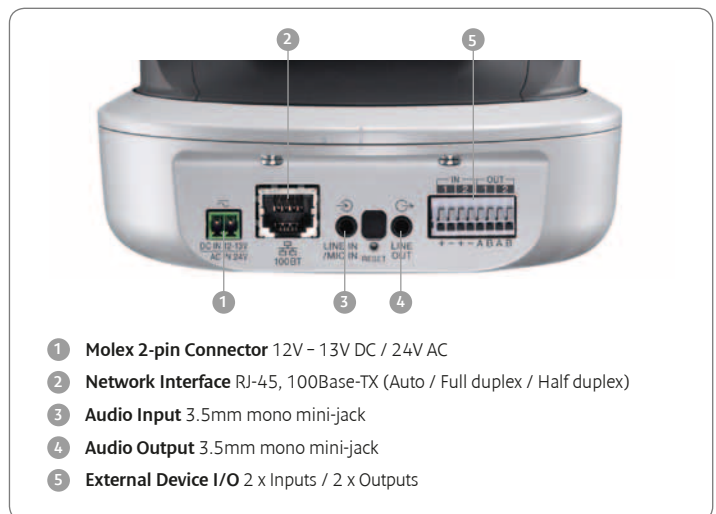
IMAGE SENSOR	
Type	1/4 inch CCD with primary colour filter
Number of Pixels	310,000 effective
Scanning System	Progressive
OPTICS	
Zoom Magnification & Control	40x powered zoom lens with Auto Focus
Focal Length	3.4mm (wide) - 136.0mm (telephoto)
Horizontal Field of View	55.8° (wide) - 1.5° (telephoto)
Lens F-Number	f/1.6 - f/5.6
Minimum Subject Illumination	Day Mode: 0.7 lux (Colour, f/1.6 at 1/30 sec)* Night Mode: 0.2 lux (Mono, f/1.6 at 1/30 sec)* Auto / One-Shot AF / Manual / Fixed at infinity (for dome)
Focus Control	Day Mode: 0.3m - infinity / Night Mode: 0.5m - infinity
Focusing Region	1/1 - 1/8000 sec
Shutter Speed	Auto / One-Shot / Preset / Manual
White Balance	Day Mode, Night Mode (Auto / Manual / Scheduled)
Imaging Modes	3 options: Centre-Weighted / Average / Spot Metering
Optical Measurement System	7 levels
Backlight Compensation	7 levels
Shade Correction	7 levels
Image Stabilizer	Electronic (ON1 / ON2 / OFF)
SERVER UNIT	
Video Compression Method	JPEG (still images), Motion-JPEG (video), MPEG4
Video Output Size	MJPEG: 640 x 480 / 320 x 240 / 160 x 120 (multicast) MPEG4: 640 x 480 / 320 x 240 (fixed size)
Frame Rate	MJPEG: 0.1 fps - 30 fps (max) MPEG4: 10 / 15 / 30 fps (max)
Simultaneous Distribution	MJPEG: 30 clients max / MPEG4: 10 clients max
Audio Compression Method	G.711 µ-law (64Kbps), Full duplex
Supported Protocols	IPv4 and IPv6: TCP/IP, UDP, HTTP, FTP, SNMP (MIB2), SMTP (client), DHCP (IPv4 only), DNS (client), ARP, ICMP, POP3, NDP (IPv6 only), NTP, SMTP authentication, WV-HTTP (Canon)

Camera Access Levels	Administrator, Authorised User, Anonymous
Motion Detection	Max 4 detection areas
Memory Buffer	Max 6MB for JPEG image upload via FTP/HTTP/SMTP
Event Notification	HTTP/SMTP
CONNECTORS	
Network Interface	RJ-45, 100Base-TX (Auto / Full duplex / Half duplex)
Audio Input (Mic / Line In)	3.5mm mono mini-jack
Audio Output (Line Out)	3.5mm mono mini-jack
External Device I/O	Terminals 2 x Inputs / 2 x Outputs
MECHANISMS	
Pan Angle Range	340° (-170° to +170°)
Tilt Angle Range	115° (Upright: -25° to +90° / Ceiling: -90° to +25°)
Maximum Rotation Speed	Pan: 150° per sec / Tilt: 150° per sec
Infrared Cut Filter	Power-driven insertion and removal (Day / Night Modes)
Preset Positions	20 presets (Pan, Tilt, Zoom)
RATINGS	
Dimensions (W x H x D)	142mm x 149mm x 142mm
Weight	840g
Power Sources	Power over Ethernet (48V DC, Conforms to IEEE 802.3af) 100V - 240V AC, 50/60Hz (via optional AC Adaptor) 12V DC or 24V AC (via supplied two-pin connector)
Power Consumption	10W Max (on PoE) / 13W Max (on AC Adaptor)
Operating Environment	Temperature: -10°C to +50°C, Humidity: 20% to 85% RH
WHAT'S IN THE BOX	
	VB-C60 Main Unit, Power Connector, Rubber Feet x 4, Setup CD-ROM*, Start Guide. *Bundled software (included on the CD-ROM) enables monitoring and recording of up to four cameras.
<small>* Use of the optional smoked dome housing increases minimum subject illumination to 1.4 lux in Day Mode and 0.4 lux in Night mode All data is based on Canon's standard testing methods. This Leaflet and the specifications of the product have been developed prior to the date of product launch. Specifications are subject to change without notice. ™ and ®: All company and/or product names are trademarks and/or registered trademarks of their respective manufacturers in their markets and/or countries.</small>	

Dimensions



Connectivity



Optional Accessories

- AC Power Supply PA-V17 (Europe)
- AC Power Supply PA-V17 (Great Britain)
- Indoor Dome Housing (Smoked) VB-RD515-S
- Indoor Dome Housing (Clear) VB-RD515-C
- Ceiling Mount Cover (Silver) SS60-S-VB
- Ceiling Mount Cover (Black) SS60-B-VB
- Video Recording Software RM-9
- Video Recording Software RM-25
- Video Recording Software RM-64



For more detailed accessory information please refer to the accessory sales sheet.

Canon Inc.
canon.com

Canon Europe
canon-europe.com

English Edition
© Canon Europa N.V., 2011

