

## Network Video Recorder

Max Capacity: 2TB



**Brickcom**  
www.brickcom.com

### NR-1604



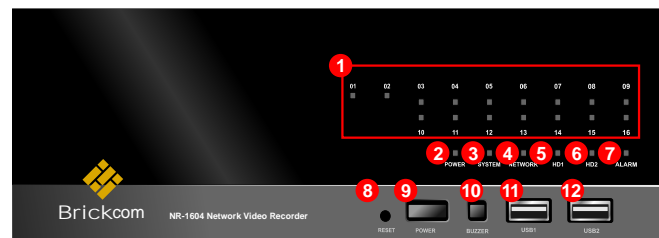
- Manage up to 16 Network Cameras
- High Quality Live/Playback Video
- Export Playback Videos to AVI
- Advance PTZ Control
- Linux-embedded Operating System
- Various Types of Event Alerts
- User Level Access Control
- Pure Web Based Administration
- Support of External UPS System

# NR-1604

## Network Video Recorder

The Brickcom NR-1604 is an ARM9-based Stand-alone NVR (Network Video Recorder). Featured with embedded Linux operating system, which is designed for remote monitoring, live viewing, recording, and multi-channel playback of pictures from IP cameras inside a network surveillance system,

The Brickcom NVR is equipped with a Gigabit Ethernet port and houses 2 SATA hard disks (Max Capacity: 2TB) for long-term recording. The support of external UPS systems ensures uninterrupted recording in case of power failure. The pictures from up to 16 network cameras can be recorded simultaneously over the network and be played back on a PC from a remote site. Support of Mega-pixel cameras and H.264 compression provides high-quality image recording and saves more bandwidth.

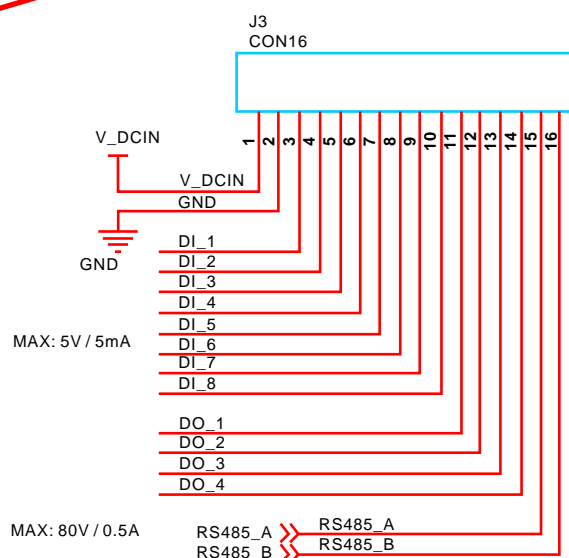
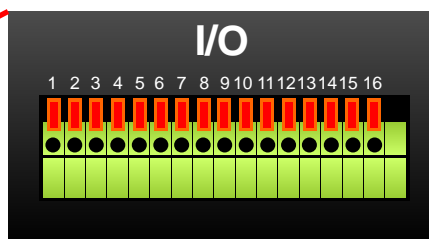
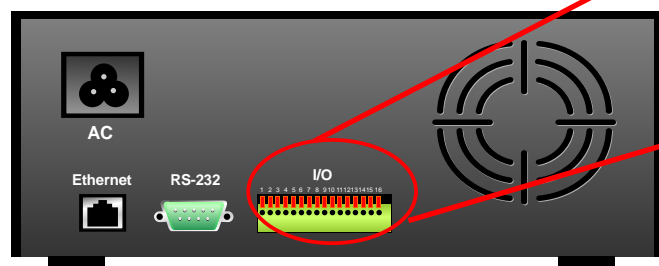


Using Microsoft Internet Explorer 7.0 or above in combination with a user-friendly interface makes local or remote management much easier and more convenient. No need to install other software on the PC.

A max of 4 PCs is allowed to access the device concurrently to perform the settings and operations. Moreover its ability to automatically search and find the available cameras on the network can greatly reduce the efforts when expanding the system, which enables more scalability. The above advantages make the NR-1604 an economic solution for building a robust network surveillance system for SMB and SOHO users.

- |                           |                        |
|---------------------------|------------------------|
| 1. LEDs for camera status | 7. Alarm LED           |
| 2. Power LED              | 8. Reset Button        |
| 3. System Status LED      | 9. Power Button        |
| 4. Network Status LED     | 10. Buzzer Stop Button |
| 5. Hard Disk 1 Status LED | 11. USB 1              |
| 6. Hard Disk 2 Status LED | 12. USB 2              |

### Digital Input and Output



Pin	Signal
1	DCIN
2	GND
3~10	Alarm Input
11	Out1
12	Out2
13	Out3
14	Out4
15	RS485+
16	RS485-

## Hardware Specifications



### NR-1604

**CPU and Memory**  
ARM9 500Mhz/128MB DDR RAM

**Ethernet**  
10BaseT / 100BaseT/1GBaseT and half duplex / full duplex auto-negotiation

**HDD**  
SATA HDD Slot x 2 (SATA I or SATA II)  
Max. Capacity: 2TB (1TB per HDD)

**LED**  
Cameras/Power/System/Network/HD/Alarm

**Buttons**  
Reset/Power/Buzzer

**Connectors**  
USB x 2  
RS-485  
DI/DO Connectors  
RS-232

**Power**  
19V DC  
Power consumption: 90W

**Dimensions**  
243 x 218 x 72 mm  
Weight  
4.54Kg

**Temperature**  
Operating: 5 °C ~ 45 °C/41 °F ~ 113 °F  
Storage: -40 °C ~ 70 °C/-14 °F ~ 158 °F

**Humidity**  
5% ~ 90% (non condensing)

**Safety**  
FCC Class A/CE/UL

**Warranty**  
Limited 2-year warranty

## Software Specifications

### NR-1604

**Cameras**  
Add Camera: Manual/ Smart Camera Search  
Max. Channels: 16ch

**Video**  
Compression: MJPEG/MPEG-4/H.264  
Resolution: MegaPixel/FD1/CIF/QCIF, up to 1280x1024  
Max. Frame Rate: 480 fps (D1) in MPEG4

**Audio**  
Compression : G.711

**Live View**  
Display Mode:  
Live View/Playback/Full Screen  
Split Screen: 1/4/16  
Full Screen: 1/4/16  
PTZ Support: Virtual PTZ Panel/Auto Pan/Preset Point/  
Preset Sequence

**Sequence Mode:**  
Sequence All/Manually Selected cameras in 1/4 split view with configurable timer

**E-Map Monitor:**  
E-Map Display Live videos with instant event notification

**Snapshot:**  
Video snapshot in JPEG format

**Recording**  
Capacity: Depends on hard disk  
Recording Mode: Manual/Continuous/Scheduling/Event  
Scheduling Types:  
Manual Select/Profile-based/Weekly Mode

**Network**  
Protocols: HTTP/SMTP/DHCP/ARP/NTP/DNS/UPnP/FTP  
Streaming Protocols:  
Depend on the supported cameras

**Playback**  
Split Screen: 1/4  
Search Methods: Time /Date, Event  
Playback Controls: Play/Pause/Stop/Forward/  
Reverse (Speed Adjustable)/Frame by Frame  
Export AVI: Export Playback Videos to Local Computer in AVI Format

**Triggers & Events**  
Event : System Events -- System Start/Shutdown, System Settings modified, Camera Settings Modified, Start Recycle, Disk Full  
Camera Events Motion/Sensor Detection  
Event Actions: HTTP/Mail/FTP/Buzzer/Record  
Event Recording: Pre/Post Event Settings

**User Management**  
Management: User/Group  
Number of Groups:  
7 (Administrator/Guest/User Define\*5)  
Privileges:  
Live View/Playback/System Configurations/Camera Configurations/  
Recording Configuration/Event Configuration/Maintenance

**Central Management**  
Central Management: Support Brickcom BCMS16

**Power & Storage**  
UPS: Support External UPS System  
Storage: Support SATAx2, Max. 1TB per drive

**Logs**  
Logs Types: Alert/Event/User Access

**Systems**  
Mini. Hardware Requirements:  
CPU: Intel Pentium 4 or higher @ 2Ghz  
RAM: 1GB or above  
Network: 100 Megabit Network Interface or above  
Mini. Software Requirements:  
IE Browser version 7 or above

**General**  
Languages : English  
Packaging : NR-1604 (HD NOT included)/  
CD with Software tool/Datasheet/Quick Guide/User's Manual/  
Warranty Card/Power Adapter