


BOSCH

Invented for life

WZ14 Integrated Day/Night Bullet Camera



- ▶ SuperHAD 1/3 in CCD, 380 TVL
- ▶ 8 m (26 ft) of infrared illumination
- ▶ 3.7 mm fixed lens
- ▶ Compact, water-resistant housing
- ▶ Bracket and sunshield included as standard

The WZ14 provides reliable day and night surveillance in a compact, water resistant design that integrates 12 infrared LEDs for 8 m (26 ft) of night vision.

Incorporating a SuperHAD 1/3 in CCD, the WZ14 delivers 380 TVL of color imaging during day and active-infrared monochrome at night.

The WZ14 uses 12 photocell-controlled infrared LEDs to deliver up to 8 m (26 ft) of night vision for effective 24/7 performance. Photocell-controlled LEDs ensure accurate on/off switching and help increase energy efficiency.

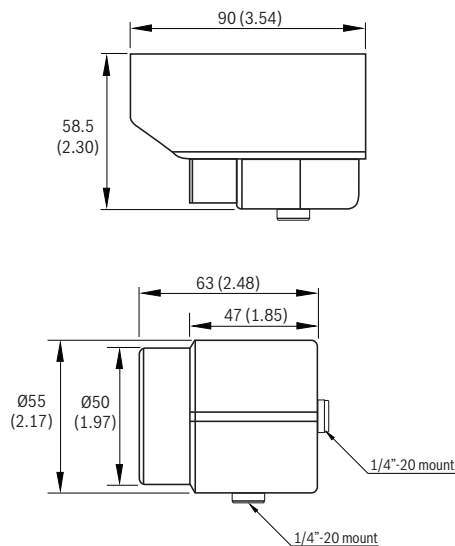
The WZ14 includes a versatile mounting bracket suitable for walls, surfaces and ceilings, as well as a sunhood.

Constructed of extruded aluminum, the WZ14 is compact and discreet, featuring an anodized silver finish.

For indoor environments, the WZ14 is a quick and easy Plug-and-Play solution for 24/7 day and night surveillance.

- Restaurants
- Hotels and nightclubs
- Convenience stores
- Banks

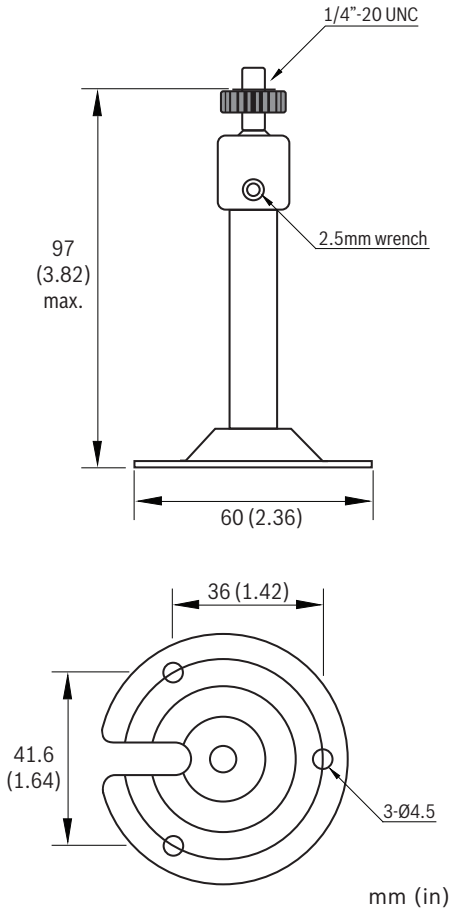
Installation/Configuration Notes



Functions

Applications

- Commercial
- Warehouses
- Offices
- Retail
- Schools
- Residential
- Casinos



Technical Specifications

Video

CCD Image Sensor	1/3 in SuperHAD CCD
Type	Color / monochrome, video level switching
Resolution	380 TVL
Effective Pixels (H x V)	PAL: 500 x 582, NTSC: 510 x 492
Night-Time Sensitivity	0 lux (infrared on)
Electronics Iris	1/50 to 1/100,000 s (PAL), 1/60 to 1/100,000 s (NTSC)
Output Signal	1 Vpp composite video, 75 ohm
S/N Ratio	Greater than 48 dB
Gamma	0.45
Lens	Fixed 3.7 mm lens
LEDs	Infrared array, photocell-controlled
Wavelength	850 nm
Number of LEDs	12

Electrical

Voltage	12 VDC
Power Draw	250 mA or less
Power Supply	Not included

Mechanical

Construction	Aluminum extrusion
Finish	Anodized silver
Sunshield	Included as standard
Bracket	Pan-tilt bracket included as standard
Weight	0.39 kg (0.86 lb)
Dimensions	Ø 58.5 x 90 (L) mm (Ø 2.3 x 3.5 (L) in)

Environmental

Operation Temperature Range	-30 °C to +55 °C (-22 °F to +131 °F)
Environment	IP67 compliant

Ordering Information

WZ14N4-0 IDN Bullet Camera IDN bullet cam, 380TVL, color switching to bw, 12LEDs, silver, NTSC, 3.7 mm lens, PSU separate	WZ14N4-0
WZ14P4-0 IDN Bullet Camera IDN bullet cam, 380TVL, color switching to bw, 12LEDs, silver, PAL, 3.7 mm lens, PSU separate	WZ14P4-0

Accessories

EXPS.002 VDC Power Supply Power Supply, 120 VAC / 12 VDC, 500 mA, w/ 2.1 mm C+ jack	EXPS.002
PSU-230-24 Power Supply Power Supply, 230 VAC / 24 VAC, 50 W	PSU230-24

Americas:
Bosch Security Systems, Inc.
130 Perinton Parkway
Fairport, New York, 14450, USA
Phone: +1 800 289 0096
Fax: +1 585 223 9180
security.sales@us.bosch.com
www.boschsecurity.us

Europe, Middle East, Africa:
Bosch Security Systems B.V.
P.O. Box 80002
5600 JB Eindhoven, The Netherlands
Phone: +31 40 2577 284
Fax: +31 40 2577 330
emea.securitysystems@bosch.com
www.boschsecurity.com

Asia-Pacific:
Robert Bosch (SEA) Pte Ltd, Security Systems
38C Jalan Pemimpin
Singapore 577180
Phone: +65 6319 3453
Fax: +65 6319 3499
apr.securitysystems@bosch.com
www.boschsecurity.com