

# AUTODOME Series Mounts and Accessories

www.boschsecurity.com



**BOSCH**

Invented for life



- ▶ 24 VAC, 120 VAC, and 230 VAC power supply boxes
- ▶ Pendant Wall, Corner, Mast, Roof, and Pipe mounts
- ▶ In-ceiling support kits for suspended ceilings and for IP54 certification
- ▶ Analog and IP Fiber Optic Communication Units
- ▶ Rugged polycarbonate and high-resolution acrylic bubble options

The AUTODOME Series cameras represent the latest advancements in video surveillance technology. The cameras ship fully assembled in a pendant or an in-ceiling housing. Bosch offers a host of mounts, power supplier boxes, and accessories so you can tailor your installation for a variety of applications and environments. These items are sold separately so you purchase only the items you need; saving you money and simplifying purchases.

## System overview

### Mounting Options and Support Kits

Bosch offers a series of mounting options and support kits to tailor your AUTODOME installation to various environments.

#### Pendant Mounts

The AUTODOME indoor/outdoor pendant housings can be connected to an arm, a roof, or to a pipe mount. Pendant arm mounts are available with a connected power supply box or as a separate arm with connected wiring. All pendant arm mounts can be connected to a corner or mast (pole) adapter, extending the installation options.

In addition to the arm mounts, Bosch offers a pipe mount and a roof parapet mount. The pipe mount allows an AUTODOME pendant housing to be attached to a 1-1/2 inch (NPS) pipe (user-supplied). The roof parapet mount is an aluminum pole that secures an AUTODOME pendant to a roof surface. In addition, accessories are available to secure the parapet mount to a flat roof surface.

#### In-ceiling Support Kits

AUTODOME in-ceiling housings do not require optional accessories when mounting to drywall ceilings, but support kits are available for specific installation needs.

For suspended or drop ceilings, Bosch offers a kit that provides the necessary support to secure the in-ceiling housing to a ceiling tile.

Bosch also offers a kit that offers IP54 ingress protection for in-ceiling installation for 100/600 Series, while AUTODOME 7000 in-ceiling is IP54-compliant with no additional purchases necessary.

### Power Supplies

Bosch offers a variety of stand-alone power supply boxes that are available without a transformer (for 24 VAC power input) and with either a 120 VAC or a 230 VAC transformer. Each power supply box offers 100 W output and the power supply box enclosures are NEMA-rated.

Also available are a trim skirt to improve the aesthetics of the power supply box and a replacement power supply box cover.

### Fiber Optic Kits

The VGA-FIBER-AN (multimode) is an analog, fiber optic conversion kit for use with 100 and 600 Series AUTODOMES. This module is a video transmitter/data receiver modules designed to be mounted directly into an AUTODOME power supply box.

The VG4-SFPSCKT is a unique media converter module for use with 7000 Series AUTODOMES. This media converter is designed to accept a wide-range of 10/100 Mbps Small Form-factor Pluggable (SFP) modules for use with Multimode or Singlemode optical fiber with LC or SC connectors. The media converter module along with the SFP module is user-installed directly into the AUTODOME's power supply box to provide an integrated fiber optic solution.

### Bubbles

Bosch offers a range of bubbles for in-ceiling and pendant housings.

AUTODOME impact-resistant rugged polycarbonate bubbles protect your camera from vandalism. Designed to meet stringent strength standards without compromising optical clarity, rugged bubbles can withstand impacts equivalent to a 10 pound (4.5 kilograms) weight dropped from a height of 10 feet (3 meters).

AUTODOME low-impact, high-resolution acrylic bubbles offer enhanced image clarity.

Both the rugged polycarbonate and the high-resolution acrylic bubbles are available in clear or tinted versions. The clear bubble offers maximum sensitivity by allowing as much light through as possible. The tinted bubbles offer coyness by making it difficult to see the direction the camera is looking from the outside.

### Cold Weather Accessory

The optional VG4-SHTR-XT extreme temperature kit allows an AUTODOME 600 outdoor pendant to operate in temperatures down to -60°C (-76°F), ensuring reliable operation in even the harshest environments.

## Installation/configuration notes

AUTODOME Series cameras are available as fully-assembled pendant or in-ceiling units. These units are packaged without mounting hardware or accessories so that you can choose only the parts needed for your application and environment.

### Pendant Mounts

Pendant housings must be mounted to an arm or to a pipe using one of the options below. Various mounting accessories are also available to extend these mounting options to a host of applications.

VG4-A-PA0	Arm mount with power supply box, no transformer
VG4-A-PA1	Arm mount with power supply box, 120 VAC transformer
VG4-A-PA2	Arm mount with power supply box, 230 VAC transformer
VGA-PEND-ARM	Arm mount with wiring, no power supply box
VG4-A-9543	Pipe mount for a 1-1/2 inch (NPS) pipe
VGA-ROOF-MOUNT	Roof mount with parapet only (requires additional purchase of VG4-A-9543)

### Pendant Mount Accessories

Accessory	Description	For Use With
VGA-PEND-WPLATE	Mounting plate	VGA-PEND-ARM
VG4-A-9541	Mast (Pole) mount adapter	VG4-A-PA0 VG4-A-PA1 VG4-A-PA2 VGA-PEND-ARM
VG4-A-9542	Corner mount adapter	VG4-A-PA0 VG4-A-PA1 VG4-A-PA2 VGA-PEND-ARM
LTC 9230/01	Flat roof mount adapter	VGA-ROOF-MOUNT

### In-ceiling Support Kits

In-ceiling housings can be mounted to a drywall ceiling out of the box, but Bosch offers various kits to attach an in-ceiling housing to a suspended or to a drop ceiling. Kits are also available to add IP54 environmental protection to these housings.

Support Kit	Description	For Use With
VGA-IC-SP	Bracket for suspended or drop ceilings	AUTODOME 100/600/7000 Series in-ceiling models
VGA-IP54K-IC	Gasket kit for IP54 certification	AUTODOME 100/600 Series models VG5-161-CTO VG5-162-CTO VG5-163-CTO VG5-164-CTO VG5-613-CCS VG5-613-CTS

### Power Supply Boxes

Bosch offers power supply boxes for all mounting options and power supply accessories to enhance the aesthetics of the boxes.

Power Supply	Description	For Use With
VG4-A-PSU0	No transformer (24 VAC input), 100 W	VGA-PEND-ARM VG4-A-9543 VGA-ROOF-MOUNT
VG4-A-PSU1	120 VAC transformer, 100 W	
VG4-A-PSU2	230 VAC transformer, 100 W	

### Power Supply Box Accessories

Accessory	Description	For Use With
VG4-A-TSKIRT	Trim skirt	VG4-A-PSU0 VG4-A-PSU1 VG4-A-PSU2

### Fiber Optic Kits

The fiber optic kits extend the range that the AUTODOME camera can receive commands and transmit video and data. Both fiber optic kits are designed to fit inside an AUTODOME power supply with all necessary connections.

Kit	Description	For Use With
VGA-FIBER-AN	Analog Multimode Fiber Optic Kit	AUTODOME 100/600 Series
VG4-SFPSCKT	Ethernet Media Converter Kit	AUTODOME 7000 Series

### AUTODOME 600 Series Accessories

These accessories fit inside certain AUTODOME 600 Series housings and extend the AUTODOME's installation and usage options.

Accessory	Description	For Use With
VG4-SHTR-XF	Extended temperature heater module	VG5-613-ECS VG5-614-ECS VG5-623-ECS VG5-624-ECS

### Bubbles

The following table lists the available bubbles:

	Part Numbers	Notes
<b>In-ceiling Bubbles</b>		
Clear high-resolution acrylic	VGA-BUBBLE-CCLA	Includes small rings (Bubble comes assembled with a white ring; if you want a black ring, you must swap the ring.) Fits any small in-ceiling can for the following models: VG4, VG5-1xx, VG5-6xx, 7000 Series.
Tinted high-resolution acrylic	VGA-BUBBLE-CTIA	

	Part Numbers	Notes
Clear rugged polycarbonate	VGA-BUBBLE-CCLR	Bubble only; you must reuse the rings that came with the unit.
Tinted rugged polycarbonate	VGA-BUBBLE-CTIR	Bubble only; you must reuse the rings that came with the unit.
Clear high-resolution acrylic	VGA-BUBLRG-CCLA	Includes large rings for large in-ceiling can Only usable for AUTODOME 700 models (VG5-7xx-)
Tinted high-resolution acrylic	VGA-BUBLRG-CTIA	
Clear HD high-resolution acrylic	VGA-BUBHD-CCLA	Includes small rings Inner ring is part of the bubble, cannot be separated from it. (Bubble comes assembled with a white ring; if you want a black ring, you must swap the ring.) Fits any small in-ceiling can for the following models: VG4, VG5-1xx, VG5-6xx, 7000 Series.
Tinted HD high-resolution acrylic	VGA-BUBHD-CTIA	

### Pendant Bubbles

	Part Numbers	Notes
Clear high-resolution acrylic	VGA-BUBBLE-PCLA	Bubble only
Tinted high-resolution acrylic	VGA-BUBBLE-PTIA	Bubble only
Clear rugged polycarbonate	VGA-BUBBLE-PCLR	Bubble only
Tinted rugged polycarbonate	VGA-BUBBLE-PTIR	Bubble only

Notes:

1. Rugged bubbles are made of impact-resistant polycarbonate.
2. High-resolution bubbles are made of low-impact acrylic.

## Technical specifications

### Pendant Mounts

#### Dimensions

#### Indoor Pendant Mounts<sup>1</sup> (W x H x D)

VG4-A-PA0 VG4-A-PA1 VG4-A-PA2	169.5 x 366.4 x 469.1 mm (6.67 x 14.43 x 18.47 in.)
VGA-PEND-ARM	169.5 x 366.4 x 460.1 mm (6.67 x 14.43 x 18.12 in.)

#### Outdoor Pendant Mounts<sup>1</sup> (W x H x D)

VG4-A-PA0 VG4-A-PA1 VG4-A-PA2	224.0 x 366.4 x 549.6 mm (8.82 x 14.43 x 21.64 in.)
VGA-PEND-ARM	224.0 x 366.4 x 477.6 mm (8.82 x 14.43 x 18.8 in.)

**Pendant Mount Accessories**

VGA-PEND-WPLATE (W x H)	169.5 x 216.4 mm (6.67 x 8.52 in.)
VG4-A-9541 (W x H x D)	175.0 x 183.0 x 58.9 mm (6.9 x 7.6 x 2.3 in.)
VG4-A-9542 (W x H x D)	219.1 x 236.0 x 216.4 mm (6.83 x 9.3 x 5.25 in.)
VGA-ROOF-MOUNT (W x H)	1,022.4 x 1,190.8 mm (40.25 x 46.88 in.)
LTC 9230/01 (W x H)	254.0 x 254.0 mm (10.0 x 10.0 in.)

1. Dimensions include the mount and the connected pendant housings.

The VGA-ROOF-MOUNT has 1.5-in. NPT tapered male threads.

**Power Supplies**

Model	Input	Output Rating	Input Fuses	Output Fuses	
				Camera	Heater
VG4-A-PA0 VG4-A-PSU0	24 VAC, 50/60 Hz	24 V @ 96 VA	5.0 A	2.0 A	3.15 A
VG4-A-PA1 VG4-A-PSU1	120 VAC, 50/60 Hz	24 V @ 96 VA	1.6 A	2.0 A	3.15 A
VG4-A-PA2 VG4-A-PSU2	230 VAC, 50/60 Hz	24 V @ 96 VA	0.8 A	2.0 A	3.15 A

**Mechanical**

Certifications	UL, CE, Plenum Rated
Dimensions (W x H x D), all models <sup>2</sup>	170.0 x 216.4 x 105.0 mm (6.69 x 8.52 x 4.13 in.)
Construction Material	Cast Aluminum
Standard Color	White (RAL9003)
Standard Finish	Powder coated, sand finish

2. Dimensions for power supplies include the cover.

**Environmental**

Operating Temperature	-60°C to 55°C (-76°F to 131°F)
-----------------------	--------------------------------

Humidity	0% to 100%, condensing
Environmental Protection	IP66, IK 8 (IEC 62262)

**Fiber Optic Kits**

<b>VGA-FIBER-AN</b>	
Description	Multimode Fiber Optic Module
Compatible Receiver	LTC 4629 Series
Optical Fiber Compatibility	50/125 µm, 62.5/125 µm, low loss multimode glass fiber, rated for a minimum system bandwidth of 20 MHz
Max. Distance	4.0 km (2.5 miles)
Optical Budget	14 dB
Connector	One (1) ST connector
Wavelength (video/data)	850 nm / 1310 nm

**VG4-SFPCKT**

Description	Fiber Optic Ethernet Media Converter kit. Requires a small form-factor pluggable (SFP) module (sold separately).
Data Interface	Ethernet
Data Rate	10/100 Mbps IEEE 802.3 Compliant Full Duplex or Half Duplex Electrical Port Full Duplex Optical Port
Compatible Receiver	CNFE2MC
Installation	Installed inside a VG4-A-PA1, VG4-A-PA2, VG4-A-PSU1 or a VG4-A-PSU2 power supply box with supplied mounting hardware

**SFP Modules**

Description	Interchangeable modules available for use with MMF or SMF optical fiber.
Data Interface	Ethernet
Data Rate	10/100 Mbps IEEE 802.3 Compliant

**Mechanical**

Dimensions (W x H x D)	
• SFP-2 and SFP-3	13.5 x 8.5 x 55.5 mm (0.5 x 0.3 x 2.2 in.)
• SFP-23, SFP-24, SFP-25, SFP-26	13.5 x 8.5 x 63.8 mm (0.5 x 0.3 x 2.5 in.)
Weight (all SFP modules)	0.23 kg (.05 lb)

Type	Connector	Wavelength (transmit/receive)	Max. Distance
------	-----------	-------------------------------	---------------

SFP-2	MMF	Duplex LC	1310 nm / 1310 nm	2 km (1.2 miles)
SFP-3	SMF	Duplex LC	1310 nm / 1310 nm	20 km (12.4 miles)
SFP-23	SMF	Single SC	1310 nm / 1550 nm	60 km (37.3 miles)
SFP-24	SMF	Single SC	1550 nm / 1310 nm	60 km (37.3 miles)
SFP-25	MMF	Single SC	1310 nm / 1550 nm	2 km (1.2 miles)
SFP-26	MMF	Single SC	1550 nm / 1310 nm	2 km (1.2 miles)

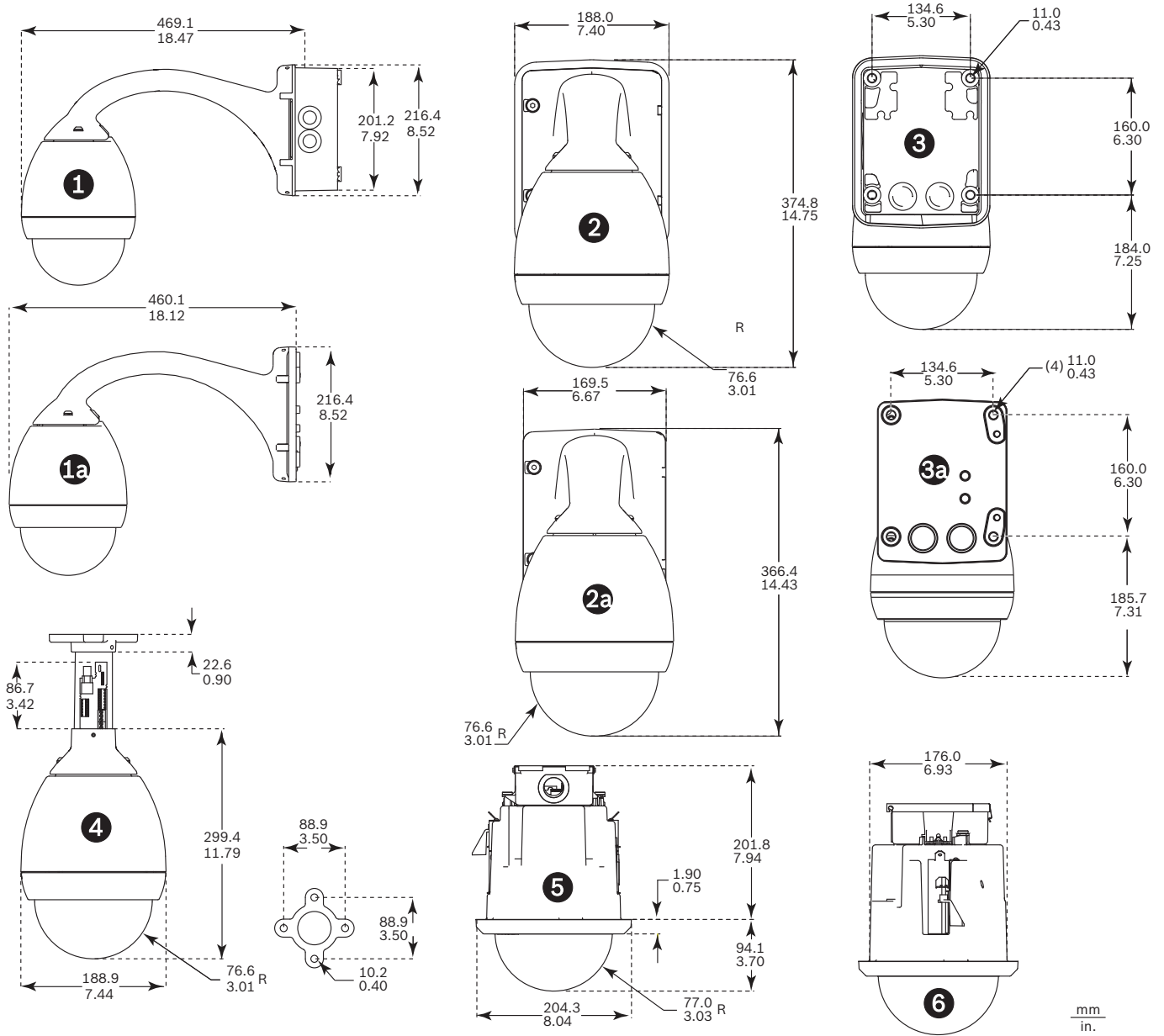
#### Fiber Compatibility

Optical Fiber Compatibility, MMF	50/125 $\mu$ m MMF. For 50/125 $\mu$ m fiber, subtract 4 dB from the specified optical budget value. Must meet or exceed fiber standard ITU-T G.651.
Optical Fiber Compatibility, SMF	8–10/125 $\mu$ m SMF. Must meet or exceed fiber standard ITU-T G.652.
Optical Distance Specifications	Specified transmission distances are limited to the optical loss of the fiber and any additional loss introduced by connectors, splices, and patch panels. The modules are designed to operate over the entire optical loss budget range, so they do not require a minimum loss in order to operate.

#### Heating Module

VG4-SHTR-XT	Extended temperature heater module extends temperature range to $-60^{\circ}\text{C}$ ( $-76^{\circ}\text{F}$ ); for AUTODOME 600 Series Outdoor Pendants only
-------------	--

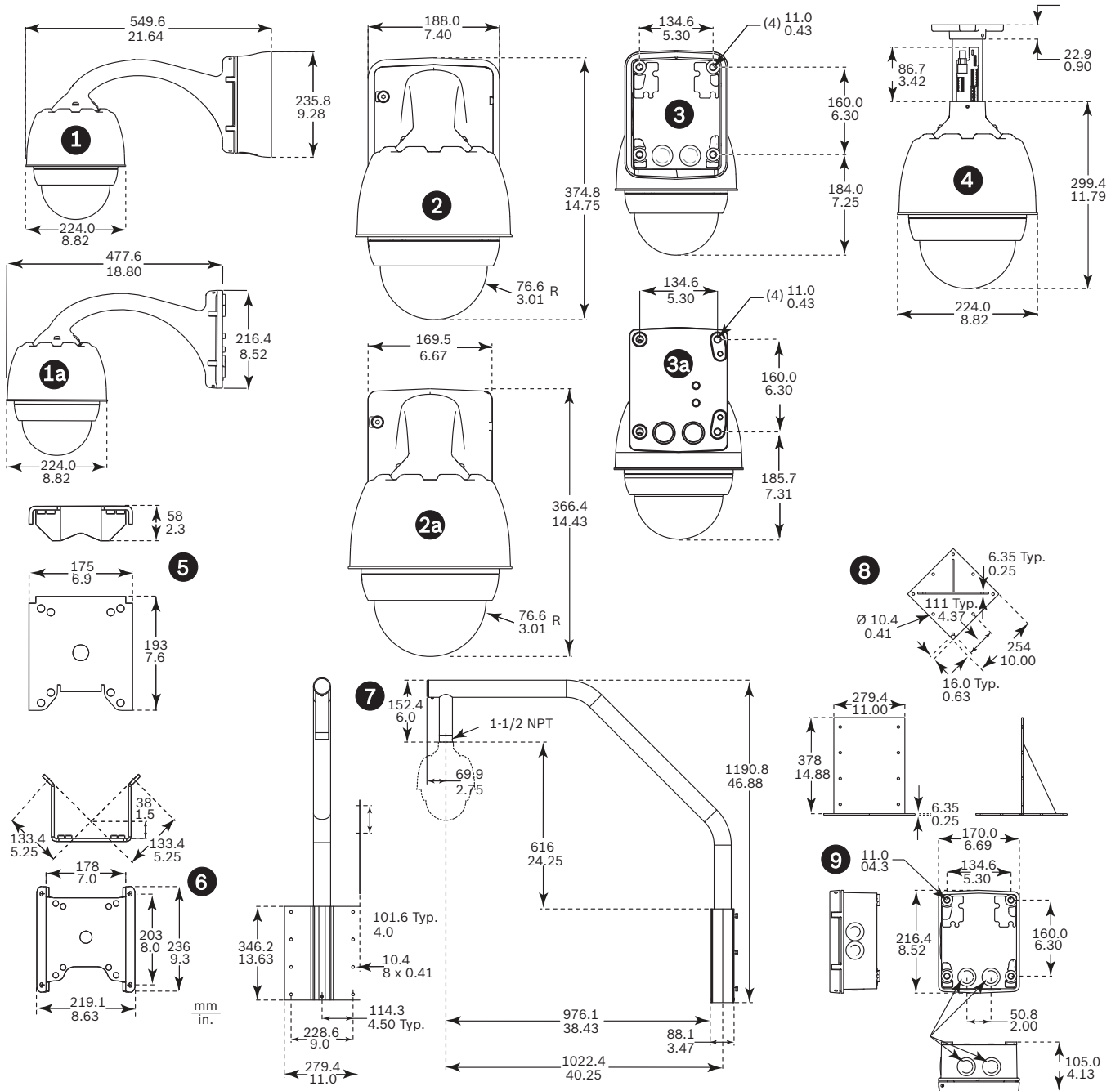
**Dimensions: Indoor AUTODOMEs with Mounting Options**



**Indoor System Dimensions**

Reference	Description
1	Wall Mount – Side with power supply
1a	Wall/Mast Mount – Side with VGA-PEND-WPLATE
2	Wall Mount – Front with power supply and trim skirt
2a	Wall Mount – Front with power supply
3	Wall Mount – Back with power supply and trim skirt
3a	Wall Mount – Back with power supply
4	Pipe Mount
5	In-ceiling Mount – Front
6	In-ceiling Mount – Side

**Dimensions: Outdoor AUTODOMES with Mounting Options and Power Supply Box**



**Outdoor System Dimensions**

**Reference Description**

1	Wall Mount – Side with power supply and trim skirt
1a	Wall/Mast Mount – Side with VGA-PEND-WPLATE
2	Wall Mount – Front with power supply and trim skirt
2a	Wall Mount – Front with power supply
3	Wall Mount – Back with power supply and trim skirt
3a	Wall Mount – Back with power supply
4	Pipe Mount

5	Mast (Pole) Mount Adapter
6	Corner Mount Adapter
7	Roof Mount
8	Roof Mount Adapter
9	Power Supply for Pipe and Roof Mounts

**Ordering information**

**VGA-PEND-ARM Pendant Arm with Wiring**  
 Compatible with an AutoDome Series pendant housing  
 Order number **VGA-PEND-ARM**

**VGA-PEND-WPLATE Mounting Plate**

Mounting plate for VGA-PEND-ARM, compatible with an AutoDome Series camera  
Order number **VGA-PEND-WPLATE**

**VGA-ROOF-MOUNT Roof Mount**

Roof parapet mount, white  
(VG4-A-9543 Pipe Mount Cap required. Available separately.)  
Order number **VGA-ROOF-MOUNT**

**LTC 9230/01 Flat Roof Mount Adapter**

For mounting a unit in an upright position on a flat surface for roof parapet mount VGA-ROOF-MOUNT  
Order number **LTC 9230/01**

**VG4-A-9541 Pole Mount Adapter**

Pole mount adapter for an AUTODOME pendant arm or a DINION imager, designed for poles with a diameter of 100-380 mm (4-15 in.), white  
Order number **VG4-A-9541**

**VG4-A-9542 Corner Mount Adapter**

Corner mount adapter for an AUTODOME pendant arm or a DINION imager  
Order number **VG4-A-9542**

**VG4-A-9543 Pipe Mount**

Pipe mount, white, for an AutoDome Series pendant housing  
Order number **VG4-A-9543**

**VGA-IP54K-IC IP54 In-ceiling Gasket Kit for AutoDome 100/600 Series**

Gasket kit for AutoDome 100 and 600 Series AutoDome In-ceiling mounts required for IP54 environmental rating  
Order number **VGA-IP54K-IC**

**VGA-IC-SP In-ceiling Support Kit for Various Bosch Dome Cameras**

Suspended ceiling support kit for AUTODOME 100/600/7000 Series cameras  
Order number **VGA-IC-SP**

**VG4-A-PSU0 24 VAC Power Supply Unit**

Power supply, 24 VAC input, for a PTZ camera in the AUTODOME Series. White, aluminum enclosure with cover, rated IP66 and IK 08. 100 W output. Optional trim skirt (sold separately).  
Order number **VG4-A-PSU0**

**VG4-A-PSU1 120 VAC Power Supply Unit**

Power supply with transformer, 120 VAC input, for an AUTODOME or MIC7000 Series PTZ camera. White, aluminum enclosure with cover, rated IP66 and IK 08. 100 W output. Optional trim skirt (sold separately).  
Order number **VG4-A-PSU1**

**VG4-A-PSU2 230 VAC Power Supply Unit**

Power supply with transformer, 230 VAC input, for an AUTODOME or MIC7000 Series PTZ camera. White, aluminum enclosure with cover, rated IP66 and IK 08. 100 W output. Optional trim skirt (sold separately).  
Order number **VG4-A-PSU2**

**VGA-SBOX-COVER Cover for AutoDome Power Supply Boxes**

Order number **VGA-SBOX-COVER**

**VG4-A-TSKIRT Trim Skirt for AutoDome Power Supply Boxes**

Trim skirt for the following AutoDome Series power supply boxes:  
VG4-A-PSU0, VG4-A-PSU1, and VG4-A-PSU2  
Order number **VG4-A-TSKIRT**

**VGA-FIBER-AN Analog Multimode Fiber Optic Kit**

Analog multimode video transmitter/data receiver fiber optic kit  
Order number **VGA-FIBER-AN**

**VG4-SFPCKT Fiber Optic Ethernet Media Converter Kit**

Ethernet media converter video transmitter/data receiver fiber optic kit  
Order number **VG4-SFPCKT**

**VG4-SHTR-XT Heating Module**

Extended temperature heater module extends temperature range to  $-60^{\circ}\text{C}$  ( $-76^{\circ}\text{F}$ ) for AutoDome 100 and 600 Series Outdoor Pendants only  
Order number **VG4-SHTR-XT**

**VGA-BUBBLE-CCLR Clear Rugged Bubble for an In-ceiling Housing**

Impact resistant polycarbonate bubble  
Order number **VGA-BUBBLE-CCLR**

**VGA-BUBBLE-CCLA Clear High-resolution Bubble for an In-ceiling Housing**

Low-impact acrylic bubble  
Order number **VGA-BUBBLE-CCLA**

**VGA-BUBBLE-CTIR Tinted Rugged Bubble for an In-ceiling Housing**

Impact resistant polycarbonate bubble  
Order number **VGA-BUBBLE-CTIR**

**VGA-BUBBLE-CTIA Tinted High-resolution Bubble for an In-ceiling Housing**

Low-impact acrylic bubble  
Order number **VGA-BUBBLE-CTIA**

**VGA-BUBBLE-PCLR Clear Rugged Bubble for a Pendant Housing**

Impact resistant polycarbonate bubble  
Order number **VGA-BUBBLE-PCLR**



**VGA-BUBBLE-PCLA Clear High-resolution Bubble for a Pendant Housing**

Low-impact acrylic bubble

Order number **VGA-BUBBLE-PCLA****VGA-BUBBLE-PTIR Tinted Rugged Bubble for a Pendant Housing**

Impact resistant polycarbonate bubble

Order number **VGA-BUBBLE-PTIR****VGA-BUBBLE-PTIA Tinted High-resolution Bubble for a Pendant Housing**

Low-impact acrylic bubble

Order number **VGA-BUBBLE-PTIA****VGA-BUBLRG-CCLA AD Large InCeil Can HighRes Bubble Clear**Order number **VGA-BUBLRG-CCLA****VGA-BUBLRG-CTIA AD Large InCeil Can HighRes Bubble Tint**Order number **VGA-BUBLRG-CTIA****VGA-BUBHD-CCLA Clear HD High-Resolution Acrylic Bubble for In-Ceiling AUTODOME cameras**Order number **VGA-BUBHD-CCLA****VGA-BUBHD-CTIA Tinted HD High-Resolution Acrylic Bubble for In-Ceiling AUTODOME cameras**Order number **VGA-BUBHD-CTIA****Accessories****VG4-A-PA0 Pendant Arm Mount**

Pendant arm mount with power supply box for an AUTODOME Series camera, no transformer, white

Order number **VG4-A-PA0****VG4-A-PA1 Pendant Arm Mount with 120 VAC Transformer**

Pendant arm mount with power supply box for an AUTODOME Series camera with a 120 VAC transformer, white

Order number **VG4-A-PA1****VG4-A-PA2 Pendant Arm Mount with 230 VAC Transformer**

Pendant arm mount with power supply box for an AUTODOME Series camera with a 230 VAC transformer, white

Order number **VG4-A-PA2****Represented by:****Americas:**

Bosch Security Systems, Inc.  
130 Perinton Parkway  
Fairport, New York, 14450, USA  
Phone: +1 800 289 0096  
Fax: +1 585 223 9180  
security.sales@us.bosch.com  
www.boschsecurity.us

**Europe, Middle East, Africa:**

Bosch Security Systems B.V.  
P.O. Box 80002  
5617 BA Eindhoven, The Netherlands  
Phone: + 31 40 2577 284  
Fax: +31 40 2577 330  
emea.securitysystems@bosch.com  
www.boschsecurity.com

**Asia-Pacific:**

Robert Bosch (SEA) Pte Ltd, Security Systems  
11 Bishan Street 21  
Singapore 573943  
Phone: +65 6571 2808  
Fax: +65 6571 2699  
apr.securitysystems@bosch.com  
www.boschsecurity.asia

**China:**

Bosch (Shanghai) Security Systems Ltd.  
203 Building, No. 333 Fuquan Road  
North IBP  
Changning District, Shanghai  
200335 China  
Phone +86 21 22181111  
Fax: +86 21 22182398  
www.boschsecurity.com.cn

**America Latina:**

Robert Bosch Ltda Security Systems Division  
Via Anhanguera, Km 98  
CEP 13065-900  
Campinas, Sao Paulo, Brazil  
Phone: +55 19 2103 2860  
Fax: +55 19 2103 2862  
latam.boschsecurity@bosch.com  
www.boschsecurity.com