



# UHI-OG(S)-0 Indoor Camera Housing



- ▶ Protects camera/lens combinations up to 317 mm (12.48 in) length
- ▶ Hinged side opening for easy installation and camera setup
- ▶ Strong aluminum construction
- ▶ Cable routing through base or rear of housing
- ▶ Tamper-resistant
- ▶ Self cleaning glass

The Indoor Camera Housing is a smartly styled unit, intended for use inside. This housing is both cost-competitive and installer-friendly.

## Functions

### Easy installation

The unique, hinged, side-opening design provides easy installation of all camera/lens combinations, and allows access to most camera and lens controls when the housing is mounted. Route power, video, and lens control cabling through the liquid-tight fittings in the bottom rear of the housing, or for even better cable management, via the feed-through entry holes in the base. Mounting holes in the base permit installation to a wide range of pan/tilts, adjustable heads, and various camera-mounting brackets.

### Dinion ready

This housing supports installation of Dinion style cameras with fixed focal, varifocal, or up to a 15 x motorized zoom lens.

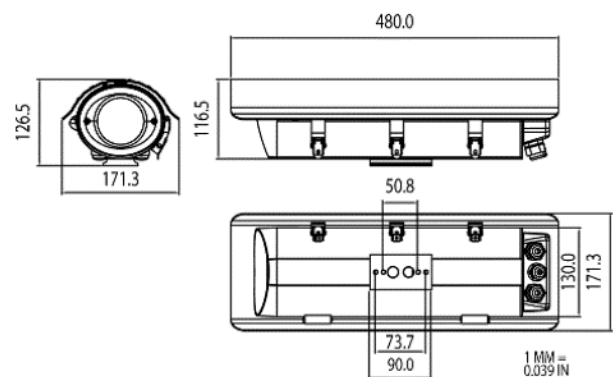
### Secure

For increased security, the units come with tamper-resistant screws for the locking clasps to prevent illegitimate access to the housing contents. The housing is an optimal solution for protecting your indoor video surveillance applications.

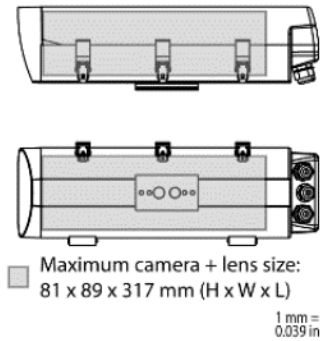
## Certifications and Approvals

Safety	acc. to EN 60950-1 (CE) acc. to UL 2044-1; CAN/CSA C 22.2 no. 1-98
Immunity	acc. to EN 50130-4 (CE)
Emission	acc. to EN 55022 class B (CE) acc. to EN 61000-3-2 (CE); EN 61000-3-3 (CE) acc. to FCC CFR 47 Part 15, Class B

## Installation/Configuration Notes



Dimensions in mm for UHI-OG(S)-0 housings indoor units



Dimensions in mm maximum internal usable space available (based on camera/lens size)

**Note** Allowance is provided for wiring and connector space requirements

### Parts Included

Quantity	Component
1	UHI-OG-0 Indoor Housing
1	Sunshield (UHI-OGS-0 only)

### Technical Specifications

#### Electrical/Mechanical

Rear fitting	1 x, cable diameter 4.0 to 7.0 mm (0.16 to 0.28 in)
Rear fittings	2 x, cable diameter 6.5 to 10.5 mm (0.26 to 0.42 in)
Bottom feeds	2 x, cable diameter 4.0 to 7.0 mm (0.16 to 0.28 in)
Window	3 mm (0.12 in) glass
Locking clasps	Tamper-resistant screws provided
Camera power ratings	24/115/230 VAC, 50/60 Hz, 6.3 A
Camera mounting	Removable camera/lens tray, mounted with two screws
Max camera + lens size (H x W x L)	81 x 89 x 317 mm (3.19 x 3.50 x 12.48 in)
Construction	Aluminum casing, neoprene gaskets, all stainless steel hardware
Dimensions	See drawings
Weight	2.3 kg (5.1 lb)

Mounting thread	2 x pair of tapped holes 1/4-20
inner pair	50.8 mm (2.0 in) center spread
outer pair	73.7 mm (2.9 in) center spread

Color	Gray
-------	------

#### Environmental

Operating temperature	-40 °C to +50 °C (-40 °F to +122 °F)
Enclosure protection	IP66, NEMA-4X

### Ordering Information

<b>UHI-OG-0 Indoor Housing</b>	<b>UHI-OG-0</b>
For camera/lens lengths up to 317 mm (12.48 in)	

<b>UHI-OGS-0 Indoor Housing with Sunshield</b>	<b>UHI-OGS-0</b>
For camera/lens lengths up to 317 mm (12.48 in)	

#### Accessories

<b>LTC 9215/00 Mount</b>	<b>LTC9215/00</b>
Wall bracket for LTC/HSG 948x, HSG9583 and UHI/UHO housings	

<b>LTC 9215/00S Mount</b>	<b>LTC9215/00S</b>
Short wall bracket for LTC/HSG 948x, HSG9583 and UHI/UHO housings	

<b>LTC 9219/01 J-Mount</b>	<b>LTC9219/01</b>
Feed-through j mount for LTC/HSG 948x, HSG9583 and UHI/UHO housings	

<b>HAC-TAMPO1 Tamper Switch</b>	<b>HAC-TAMPO1</b>
Tamper switch kit for HSG and UHI/UHO series enclosures	

**Europe, Middle East, Africa:**  
Bosch Security Systems B.V.  
P.O. Box 80002  
5600 JB Eindhoven, The Netherlands  
Phone: +31 40 2577 284  
Fax: +31 40 2577 330  
emea.securitysystems@bosch.com  
www.boschsecurity.com

**Americas:**  
Bosch Security Systems, Inc.  
130 Perinton Parkway  
Fairport, New York, 14450, USA  
Phone: +1 800 289 0096  
Fax: +1 585 223 9180  
security.sales@us.bosch.com  
www.boschsecurity.us

**Asia-Pacific:**  
Bosch Security Systems Pte Ltd  
38C Jalan Pemimpin  
Singapore 577180  
Phone: +65 6319 3450  
Fax: +65 6319 3499  
apr.securitysystems@bosch.com  
www.boschsecurity.com

**Represented by**