


BOSCH

Invented for life

AEGIS UFLED White Light Illuminators



AEGIS UFLED, the industry's first intelligent white light illuminator combines innovations in technology and design to deliver absolute performance in security lighting.

Constant Light technology compensates for LED degradation, a natural occurrence with all LED-based illuminators, to deliver a constant level of lighting performance throughout the life of the illuminator.

Powered by award-winning Black Diamond micro-refractive technology, AEGIS UFLED White Light delivers High-Fidelity even-illumination which lights the foreground and background of the scene eliminating hotspots and underexposure.

IP67 rated AEGIS UFLED White Light features a 12 VDC / 24 VAC power circuit built into the illuminator to allow direct powering of the unit, without the need for a separate PSU.

Functions

Controlled by Constant Light technology

- Maintains a constant level of optical performance throughout the life of the illuminator
- Maintains a constant level of optical performance when operated at varying ambient temperatures
- Continues to deliver the specified range for the life of the illuminator

- ▶ **Controlled by Constant Light technology which automatically compensates for LED degradation**
- ▶ **Powered by Black Diamond White Light for High-Fidelity**
- ▶ **Micro-refraction lens technology enables beam patterns of 10° 20° 30° 60°, 95° and 120°**
- ▶ **12 VDC / 24 VAC Power-On-Board - no separate PSU required, where low voltage supply is available**
- ▶ **High efficiency SMT LEDs for improved thermal management and increased LED life**

- Reduces initial input power consumption for a more environmentally-friendly solution

Powered by Black Diamond technology

- Award winning Black Diamond micro-refractive technology eliminates hotspots in the foreground and underexposed backgrounds
- Delivers High-Fidelity even-illumination for up to 60 m (195 ft) of superior images

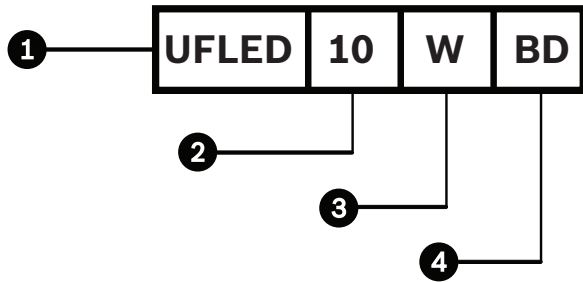
12 VDC / 24 VAC Power-On-Board

- No separate PSU required, where low voltage supply is available
- Reduces installation time and costs
- Enables easier, more aesthetically pleasing installations
- Energy efficient operation
- Easy connection of remote telemetry and camera day/night switching

High Efficiency Surface Mount LEDs

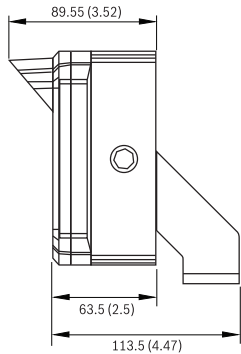
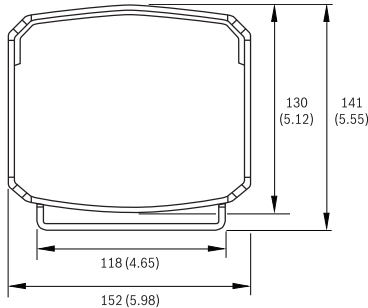
- Cool operation with improved optical output efficiency and thermal management
- Reduced power input and consumption for a more environmentally-friendly solution and lower operating costs for the end user

Installation/Configuration Notes



1. Model	UFLED	AEGIS UFLED
2. Beam Pattern	10	10°
	20	20°
	30	30°
	60	60°
	95	95°
	120	120°
3. Light	W	White light
4. Type	BD	Black Diamond

Dimensions



mm (in)

Technical Specifications

Illuminator

LEDs	High efficiency LED array with current limited integral power circuit
Number of LEDs	18 high efficiency surface mount LEDs
Beam Patterns	10°, 20°, 30°, 60°, 95°, 120°
Wavelength	White Light
Power consumption	26 to 45W (45W max power) Power consumption will vary over time due to the intelligent optical output control which compensates for LED degradation and ambient temperature fluctuations
Input Voltage	12 to 40 VDC or 24 VAC ±30%
Temperature Range	-50 °C to +50 °C (-58 °F to +122 °F) max on full power
Environment	IP67
Construction	Robust, aluminum construction with acrylic front fascia
Weight	1.4 kg (3.1 lb)
Dimensions	152 x 188 x 115 mm (6.0 x 7.4 x 4.5 in)
Color	White heat sink with clear, screen printed front fascia
Power Cable	Supplied with IP67 power connector and 5 m (16.4 ft) of connecting lead
Bracket	Wall mount U-bracket supplied

Performance Ranges

Model	Beam Pattern	Achievable Distance*	HOV
UFLED10-WBD	10°	60 m (195 ft)	10 m (30 ft)
UFLED20-WBD	20°	40 m (130 ft)	15 m (50 ft)
UFLED30-WBD	30°	35 m (115 ft)	20 m (65 ft)
UFLED60-WBD	60°	25 m (80 ft)	30 m (100 ft)
UFLED95-WBD	95°	20 m (65 ft)	45 m (150 ft)
UFLED120-WBD	120°	15 m (50 ft)	50 m (165 ft)

*Actual illumination distance achieved is dependent on camera and lens characteristics.

Ordering Information

UFLED10-WBD AEGIS Illuminator AEGIS Intelligent White Light UFLED illuminator, 10°	UFLED10-WBD
UFLED20-WBD AEGIS Illuminator AEGIS Intelligent White Light UFLED illuminator, 20°	UFLED20-WBD
UFLED30-WBD AEGIS Illuminator AEGIS Intelligent White Light UFLED illuminator, 30°	UFLED30-WBD
UFLED60-WBD AEGIS Illuminator AEGIS Intelligent White Light UFLED illuminator, 60°	UFLED60-WBD

Ordering Information

UFLED95-WBD AEGIS Illuminator AEGIS Intelligent White Light UFLED illuminator, 95°	UFLED95-WBD
--	--------------------

UFLED120-WBD AEGIS Illuminator AEGIS Intelligent White Light UFLED illuminator, 120°	UFLED120-WBD
--	---------------------

Accessories

PSU230-24-100W VAC Power Supply Power Supply, 230 VAC / 24 VAC, 100 W	PSU230-24-100W
---	-----------------------

Americas:
Bosch Security Systems, Inc.
130 Perinton Parkway
Fairport, New York, 14450, USA
Phone: +1 800 289 0096
Fax: +1 585 223 9180
security.sales@us.bosch.com
www.boschsecurity.us

Europe, Middle East, Africa:
Bosch Security Systems B.V.
P.O. Box 80002
5600 JB Eindhoven, The Netherlands
Phone: + 31 40 2577 284
Fax: +31 40 2577 330
emea.securitysystems@bosch.com
www.boschsecurity.com

Asia-Pacific:
Robert Bosch (SEA) Pte Ltd, Security Systems
38C Jalan Pemimpin
Singapore 577180
Phone: +65 6319 3453
Fax: +65 6319 3499
apr.securitysystems@bosch.com
www.boschsecurity.com

Represented by