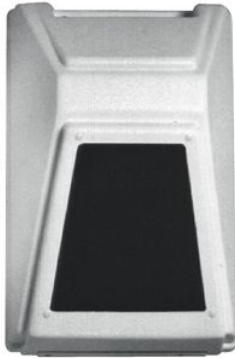




TC 2073 Series Maximum Security Housings



- ▶ For Fixed Lens Applications
- ▶ ABS Plastic Construction
- ▶ Easy Installation and Service
- ▶ Thick Acrylic Viewing Window
- ▶ Adjustable Camera Bracket
- ▶ Tamperproof

The TC2073 Series are inside corner mounted institutional grade housings designed for monitoring dining halls, exercise rooms, visit areas, as well as elevators, stairwells, lobbies, and mantraps.

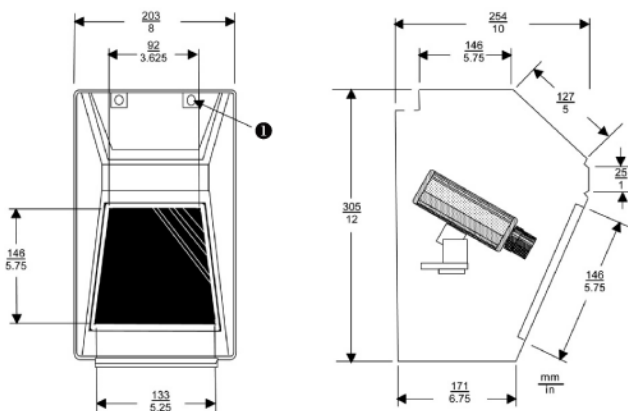
These housings are designed to be corner-mounted. The housing has a sloped front cover for corner mounting below the ceiling level. It is available with a clear or tinted acrylic window. The TC2073 Series will accept most 1/3-inch, 1/2-inch and 2/3-inch format CCD cameras with fixed auto-iris lenses.

- 1 Security fasteners (2)

Parts Included

Quantity	Component
1	TC2073 (/T)

Installation/Configuration Notes



Dimensional Outline

Technical Specifications

Models:

TC2073	Clear window for color cameras
TC2073T	Tinted window; one f-stop light reduction

Mechanical

Maximum Camera/Lens Size (L x W x H)	Accepts cameras up to 109 x 101 mm (9 x 4.3 x 4 inch)
Cable Entry	Access through rear of housing
Window	6 mm (0.25 inch) thick acrylic
Construction	94HB, 4 mm (0.187 inch) ABS plastic housing with stainless steel hinged front cover. Front cover is equipped with captive security fasteners; special tool included.
Finish	Textured beige enamel
Dimensions	See Dimensional Outline
Weight	1.4 kg (3 lb)

Ordering Information

TC 2073 Indoor Housing Corner mounted, camera/lens to 229 mm (9 inch)	TC2073
TC 2073T Housing, plastic	TC2073T

Europe, Middle East, Africa:
Bosch Security Systems B.V.
P.O. Box 80002
5600 JB Eindhoven, The Netherlands
Phone: + 31 40 2577 284
Fax: +31 40 2577 330
emea.securitysystems@bosch.com
www.boschsecurity.com

Americas:
Bosch Security Systems, Inc.
130 Perinton Parkway
Fairport, New York, 14450, USA
Phone: +1 800 289 0096
Fax: +1 585 223 9180
security.sales@us.bosch.com
www.boschsecurity.us

Asia-Pacific:
Bosch Security Systems Pte Ltd
38C Jalan Pemimpin
Singapore 577180
Phone: +65 6319 3450
Fax: +65 6319 3499
apr.securitysystems@bosch.com
www.boschsecurity.com

Represented by