



Aegis SuperLED White Light Illuminator



- ▶ **Constant Light** technology ensures consistent illumination
- ▶ **3D diffuser** technology delivers the even illumination required by CCTV
- ▶ Enables optimum nighttime color performance
- ▶ Enhances video analytics performance
- ▶ Reduced power consumption for a greener, more environmentally friendly solution with lower operating costs

Functions

- 3D diffuser technology eliminates hotspots in the foreground and underexposed backgrounds
- Delivers even illumination designed specifically for CCTV
- Dramatically improves night-time imaging, reducing noise and increasing video signal
- When used with encoding and digital recording systems, even illumination reduces bit rate and so lowers storage requirements

Controlled by Constant Light Technology

- Maintains a constant level of lighting performance for the life of the illuminator
- Maintains a constant level of lighting performance when operated at varying ambient temperatures

Installer friendly installation features

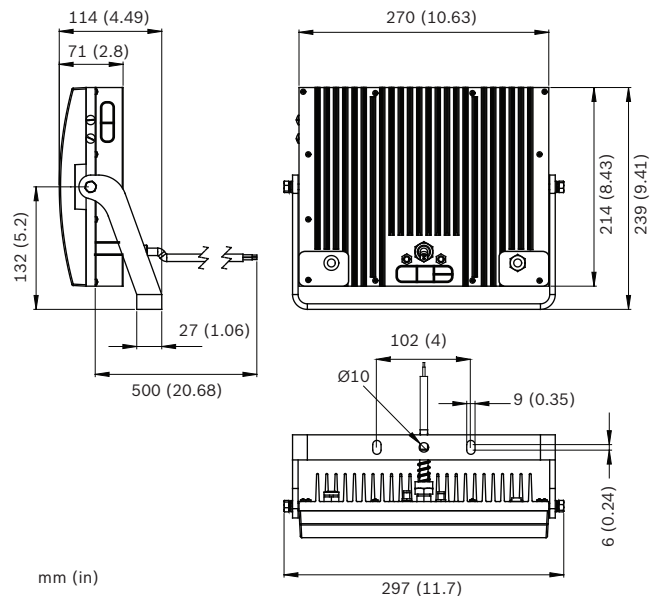
- Low voltage input to the illuminator for safe installation
- Illuminator link port allows one illuminator to switch all others in a master/slave configuration
- Dual-mode camera port allows color/mono control from or to the camera
- Easy connection using dedicated cables

High Efficiency Surface Mount LEDs

- Industry-leading thermal management and super high-efficient LEDs deliver maximum illumination

Installation/Configuration Notes

Dimensions



Technical Specifications

Aegis SuperLED Infrared

Color	Black anodized heat sink, white front fascia with clear window
LEDs	High efficiency surface mounted LED array with current-limited integral power circuit
Color temperature	4200 K
Beam Patterns	10°, 20°, 30°, 60°, 95°, 120°
Consumption	50–90 W (90 W max power)
Input Voltage	12 to 24 VDC or 24 VAC, 50/60 Hz
Temperature Range	–40°C to +50°C (–40°F to 122°F) max. on full power
Environmental	IP67
Construction	Robust, aluminum construction with acrylic front fascia
Weight	3.8 kg (8.4 lb)
Dimensions	305 x 240 x 110 mm (11.9 x 9.4 x 4.4 in)
Power Cable	4 m (13 ft)
Bracket	Wall mount U-bracket supplied

Aegis SuperLED White Light Performance Ranges

Model	Wave-length	Beam Patterns	Achievable Distance*	HFOV
SLED10-WBD	White light	10°	85 m (275 ft)	15 m (50 ft)
SLED20-WBD	White light	20°	55 m (180 ft)	20 m (65 ft)
SLED30-WBD	White light	30°	50 m (165 ft)	25 m (85 ft)
SLED60-WBD	White light	60°	35 m (115 ft)	40 m (130 ft)
SLED95-WBD	White light	95°	25 m (85 ft)	55 m (180 ft)
SLED120-WBD	White light	120°	20 m (65 ft)	70 m (230 ft)

* Actual illumination distance achieved is dependent on camera and lens characteristics.

Ordering Information

SuperLED Black Diamond (White-120) EX PSU	SLED120-WBD
--	--------------------

Accessories

PSU-224-DC100 Universal Power Supply Universal Power Supply 2x24 VDC	PSU-224-DC100
--	----------------------

UFLED-CL-1M Link Cable 1 m (3.3 ft) telemetry link cable for Aegis illuminators	UFLED-CL-1M
---	--------------------

UFLED-CI-5M Switching Cable 5 m (16.4 ft) remote telemetry or day/night switching cable for Aegis illuminators	UFLED-CI-5M
--	--------------------

Ordering Information

SuperLED Black Diamond (White-10) EX PSU	SLED10-WBD
---	-------------------

SuperLED Black Diamond (White-20) EX PSU	SLED20-WBD
---	-------------------

SuperLED Black Diamond (White-30) EX PSU	SLED30-WBD
---	-------------------

SuperLED Black Diamond (White-60) EX PSU	SLED60-WBD
---	-------------------

SuperLED Black Diamond (White-95) EX PSU	SLED95-WBD
---	-------------------

Americas:
Bosch Security Systems, Inc.
130 Perinton Parkway
Fairport, New York, 14450, USA
Phone: +1 800 289 0096
Fax: +1 585 223 9180
security.sales@us.bosch.com
www.boschsecurity.us

Europe, Middle East, Africa:
Bosch Security Systems B.V.
P.O. Box 80002
5600 JB Eindhoven, The Netherlands
Phone: +31 40 2577 284
Fax: +31 40 2577 330
emea.securitysystems@bosch.com
www.boschsecurity.com

Asia-Pacific:
Robert Bosch (SEA) Pte Ltd, Security Systems
11 Bishan Street 21
Singapore 573943
Phone: +65 6258 5511
Fax: +65 6571 2698
apr.securitysystems@bosch.com
www.boschsecurity.com