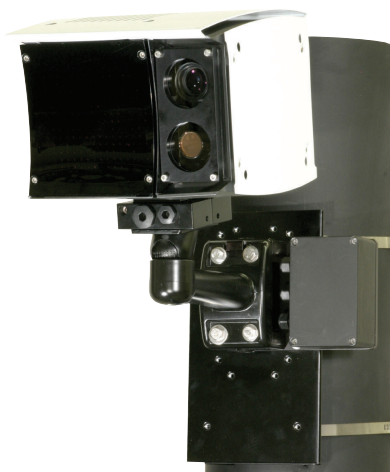



BOSCH

Invented for life

REG-Z1 License Plate Cameras



- ▶ **Consistent, reliable 24/7 capture regardless of weather or lighting conditions**
- ▶ **Integrated color overview camera for surrounding area surveillance**
- ▶ **Operational ranges of 25 m (65 ft), 35 m (85 ft) and 50 m (120 ft)**
- ▶ **Capture at up to 190 kph (120 mph) for highways, motorways and other high-speed applications**
- ▶ **Metaphase LEDs for an average operational life of more than 5 years**

The REG-Z1 series –featuring Definitive High Contrast (DHC) imaging technology –delivers advanced performance in vehicle license plate capture. Integrating advances in optics, infrared illumination and ambient rejection technology, the REG-Z1 delivers high contrast license plate images consistently and reliably.

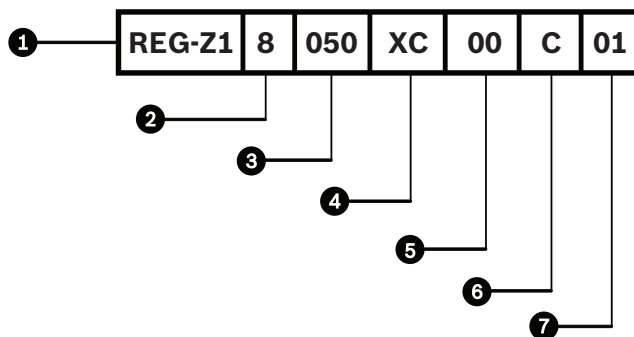
Using solid state metaphase LEDs, the REG-Z1 has an operational range of up to 50 m (120 ft). Ambient rejection technology ensures that the REG-Z1 provides high contrast license plate images across the complete spectrum of ambient lighting conditions, from total darkness to direct glare from sunlight or vehicle headlights.

The REG-Z1 series offers a choice of single license plate capture camera or license plate capture with integrated 480 TVL color camera to provide overview images of the surrounding area including vehicle color, shape and model. A high-speed optical engine captures plates from vehicles traveling at speeds of up to 190 kph (120 mph), making REG-Z1 suitable for motorways, highways and other high speed applications.

IP66 / NEMA4 rated, the REG-Z1 is field proven for unrivalled performance in extreme environments. High efficiency metaphase LEDs eliminate the need for routine bulb changes and deliver an average operational life of more than 5 years.

The REG-Z1 integrates easily with industry standard DVRs, NVRs, IP video servers and wireless broadband equipment. DHC imaging technology delivers the high contrast images needed for Automatic License Plate Recognition (ALPR)

Installation/Configuration Notes



| | | |
|----------------------|---------------|-----------------------------------------|
| 1 Model | REG-Z1 | |
| 2 Wavelength | 8 | 850 nm |
| 3 Lens/Range | 050 | 50 mm / 15 to 25 m (45 to 65 ft) |
| | 075 | 75 mm / 20 to 35 m (65 to 85 ft) |
| | 100 | 112 mm / 30 to 50 m (85 to 120 ft) |
| 4 Camera Type | X0 | Number Plate Capture Only |
| | XC | Number Plate Capture and Color Overview |

| | | |
|-------------------|---------------|-------|
| 1 Model | REG-Z1 | |
| 5 Reserved | | |
| 6 Region | C | CCIR |
| | E | EIA |
| 7 Color | 01 | Black |

Technical Specifications

General Specification

| | | |
|---------------------------------|---------------------------------------------------------------------------------|-------------------------------------|
| CCDs | License Plate Capture CCD | Color Overview CCD |
| Sensor | 1/2 -inch LXR CCD | 1/3-inch LXR CCD |
| Resolution | 600 TVL | 480 TVL |
| Effective Pixels (H x V) Europe | CCIR: 795 x 596 | PAL: 795 x 586 |
| S/N Ratio | Greater than 48 dB | Greater than 48 dB |
| Video Output | High Contrast 1 Vpp at 75 ohm | 1 Vpp at 75 ohm |
| Sensitivity | Zero lux (works in total darkness) | 0.1 lux at F1.2 |
| Lens | Choose from lens selector table below | Varifocal 5 to 50 mm with auto-iris |
| Infrared Illumination | 850 nm | |
| LEDs | High efficiency metaphase LED array | |
| Power Requirement | 24 VAC or VDC | |
| Power Consumption | 30 W (1.3 A at 24 VAC) | |
| Temperature | -50 °C to +50 °C (-58 °F to +122 °F) | |
| Environmental | IP66 | |
| Construction | Robust, aluminum extrusion, polycarbonate, ABS alloy, borosilicate 2.5mm window | |
| Weight | 6.5 kg (14.2 lbs) | |
| Dimensions | 236 x 224 x 261 mm (9.3 x 8.8 x 10.3 in) | |
| Color | Black with white sunshields | |

Lens Selection for License Plate Capture CCD

| | | | |
|--------------------------------|-------------|-------------|--------------|
| Monochrome Lens Option | 50 mm | 75 mm | 100 mm |
| Horizontal Field of View | 7.4° | 5° | 3.6° |
| *Operational Range Region CCIR | 15 to 25 m | 20 to 35 m | 30 to 50 m |
| *Operational Range Region EIA | 45 to 65 ft | 65 to 85 ft | 85 to 120 ft |

* Operational range varies from region due to license plate size variance.

Ordering Information

| | |
|--------------------------------------------------------------------------------------------------|------------------------------|
| REG-Z1-8050-XC-00C-01 License Plate Camera Cam/LED REG-Z1 Image/LP Capture 50 mm PAL | REG-Z1-8050-XC-00C-01 |
| REG-Z1-8075-XC-00C-01 License Plate Camera Cam/LED REG-Z1 Image/LP Capture 75 mm PAL | REG-Z1-8075-XC-00C-01 |
| REG-Z1-8100-XC-00C-01 License Plate Camera Cam/LED REG-Z1 Image/LP Capture 100 mm PAL | REG-Z1-8100-XC-00C-01 |
| REG-Z1-8050-XO-00C-01 License Plate Camera Cam/LED REG-Z1 LP Capture 50 mm PAL | REG-Z1-8050-XO-00C-01 |
| REG-Z1-8075-XO-00C-01 License Plate Camera Cam/LED REG-Z1 LP Capture 75 mm PAL | REG-Z1-8075-XO-00C-01 |
| REG-Z1-8100-XO-00C-01 License Plate Camera Cam/LED REG-Z1 LP Capture 100 mm PAL | REG-Z1-8100-XO-00C-01 |
| REG-Z1-8050-XC-00E-01 License Plate Camera Cam/LED REG-Z1 Image/LP Capture 50 mm NTSC | REG-Z1-8050-XC-00E-01 |
| REG-Z1-8075-XC-00E-01 License Plate Camera Cam/LED REG-Z1 Image/LP Capture 75 mm NTSC | REG-Z1-8075-XC-00E-01 |
| REG-Z1-8100-XC-00E-01 License Plate Camera Cam/LED REG-Z1 Image/LP Capture 100 mm NTSC | REG-Z1-8100-XC-00E-01 |
| REG-Z1-8050-XO-00E-01 License Plate Camera Cam/LED REG-Z1 LP Capture 50 mm NTSC | REG-Z1-8050-XO-00E-01 |
| REG-Z1-8075-XO-00E-01 License Plate Camera Cam/LED REG-Z1 LP Capture 75 mm NTSC | REG-Z1-8075-XO-00E-01 |
| REG-Z1-8100-XO-00E-01 License Plate Camera Cam/LED REG-Z1 LP Capture 100 mm NTSC | REG-Z1-8100-XO-00E-01 |
| Accessories | |
| PSU230-24-100W VAC Power Supply Power Supply, 230 VAC / 24 VAC, 100 W | PSU230-24-100W |
| EXPS.009 VAC Power Supply Power supply 24 VAC, 2500 mA RoHS | EXPS.009 |
| EXMB.017B Wall Mount Adapter Bracket Wall Mount Adapter, Black | EXMB.017 |
| EXMB.028B Cable Managed Wall Bracket Cable-managed arm bracket, black | EXMB.028B |
| EXMB.015B Pole Mount Adapter Bracket Pole Mount Adapter, black | EXMB.015B |

Ordering Information

EXMB.061 Pole Top Bracket
Stainless Pole Top Bracket

EXMB.061

Americas:
Bosch Security Systems, Inc.
130 Perinton Parkway
Fairport, New York, 14450, USA
Phone: +1 800 289 0096
Fax: +1 585 223 9180
security.sales@us.bosch.com
www.boschsecurity.us

Europe, Middle East, Africa:
Bosch Security Systems B.V.
P.O. Box 80002
5600 JB Eindhoven, The Netherlands
Phone: + 31 40 2577 284
Fax: +31 40 2577 330
emea.securitysystems@bosch.com
www.boschsecurity.com

Asia-Pacific:
Robert Bosch (SEA) Pte Ltd, Security Systems
38C Jalan Pemimpin
Singapore 577180
Phone: +65 6319 3453
Fax: +65 6319 3499
apr.securitysystems@bosch.com
www.boschsecurity.com

Represented by