


BOSCH

Invented for life

PT1250 Series Weatherproof Heavy-duty Outdoor Pan/Tilts



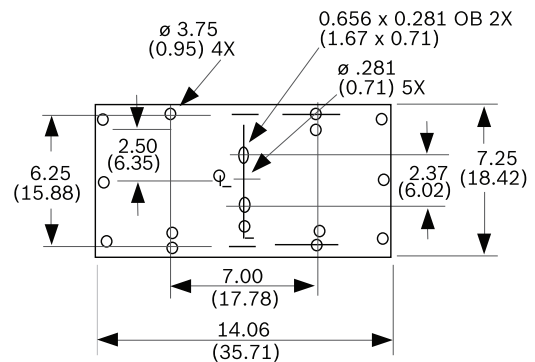
- ▶ Indoor/outdoor applications
- ▶ Rugged aluminum construction
- ▶ Adjustable worm gear final drive
- ▶ Heavy-duty roller bearings
- ▶ Pre-position and auto/frame scan models available
- ▶ External limit stops

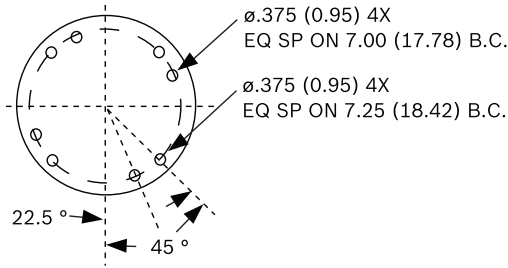
The PT1250 Series Heavy Duty Pan/Tilts are easily capable of handling loads up to 45 kg (100 lb). They feature rugged high-torque AC motors with adjustable worm gear final drives. This ensures long operational life, as well as drift-free operation. These units are capable of auto-random scan operation when used with receiver/drivers (see Accessories).

Internal electrical connections are made via a unique retractile cord, eliminating any wire fatigue during normal and auto/random scan operation.

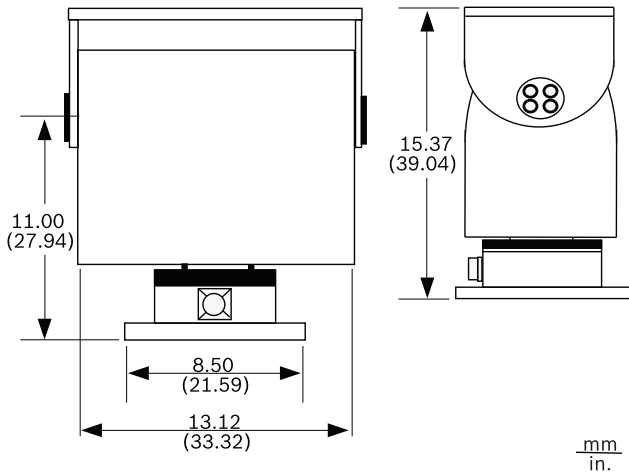
These units are manufactured from cast and plate aluminum, and all internal parts are corrosion-protected steel or aluminum. The finish is textured semigloss beige enamel. The limit stops are externally adjustable for ease of installation.

Installation/Configuration Notes


 $\frac{\text{mm}}{\text{in.}}$



mm
in.



mm
in.

Technical Specifications

Electrical

Model No.	Rated Motor Voltage ¹	Run A/VA	Start A/VA
PT1250P	120 VAC, 50/60 Hz	0.48/57.5	0.60/72.5
PT1250P/220	230 VAC, 50 Hz	0.19/43.7	0.27/62.1
PT1250P/PP ²	120 VAC, 50/60 Hz	0.48/57.5	0.60/72.5
PT1250P/PP/230 ²	230 VAC, 50 Hz	0.19/43.7	0.27/62.1

1. Ratings are for each pan and tilt motor.

2. Pre-position capability.

Connectors	AMP CPC type; mate supplied
Motors	Two phase induction type, instantaneous reversing
Limit Switches	5 A each (pan and tilt); external adjustment
Conductor Requirements	Unshielded cable with 6 or 7 conductors for left, right, up, down, motor common, and safety ground functions; no additional conductors for auto-scan when used with solid-state control requires an additional four (4) conductors

Recommended Maximum Cable Lengths³

PT1250P, PT1250P/PP

Wire Size		6 Conductors		7 Conductors ⁴	
mm	AWG	m	ft	m	ft
0.5	20	149	489	298	978
1	18	237	778	474	1556
1.5	16	376	1235	752	2470

PT1250P/220, PT1250P/PP/230

Wire Size		6 Conductors	
mm	AWG	m	ft
0.5	20	750	2463
1	18	1194	3918
1.5	16	1895	6218

3. Assumes a 10% cable loss and both motors running.

4. Using 2-wire motor common.

Mechanical

Pan Range	0° to 355° movement in horizontal plane
Pan Speed	6° ± 1°/sec, no load condition
Pan Torque	690 kg-cm (50 ft-lb) with specified voltage
Tilt	± 90° movement in vertical plane
Tilt Speed	3°/sec. ± 0.5°
Maximum Load	45.4 kg (100 lb) at 127 mm (5 in.) from the center of mass of the camera/lens/housing assembly to the center of the tilt table
Gearing	Adjustable worm gear final drive
Bearings	Heavy-duty ball bearings for pan; iolite bronze bushing for tilt
Duty Cycle	50% duty cycle, 30 min. rating
Braking	Mechanical
Construction	Aluminum casting and plate; all internal parts corrosion-protected
Finish	Textured semigloss beige enamel
Dimensions	See dimensional outline
Weight	24.5 kg (54 lb)
Environmental	
Temperature	-23°C to 48°C (-10°F to 120°F)
Enclosure	Meets NEMA Type 3R Standards

Accessories

Controls	LTC 5133 Series and LTC 5134 Series pan/tilt zoom lens control
Receiver/Driver	For camera site control of pan/tilt and lens (see LTC 8560, LTC 8562, LTC 8563/20 Series Data-sheet for receiver/drivers)
Mounts	See LTC 9200 Series Datasheet for indoor/outdoor column and wall mounts to support these units

Pelco and the Pelco logo are registered trademarks of Pelco, all rights reserved. All data and dimensions are referenced from the Pelco specification sheet and are subject to change without notice.

Ordering Information

PT1250P Weatherproof Pan/Tilt Maximum load 45 kg (99.21 lb), 115 VAC	PT1250P
PT1250P/220 Weatherproof Pan/Tilt Maximum load 45 kg (99.21 lb), 220 VAC	PT1250P/220
PT1250P/PP Weatherproof Pan/Tilt Maximum load 45 kg (99.21 lb), 115 VAC, with preset positioning option	PT1250P/PP
PT1250P/PP/230 Weatherproof Pan/Tilt Maximum load 45 kg (99.21 lb), 220 VAC, with preset positioning option	PT1250P/PP/230

Americas:
Bosch Security Systems, Inc.
130 Perinton Parkway
Fairport, New York, 14450, USA
Phone: +1 800 289 0096
Fax: +1 585 223 9180
security.sales@us.bosch.com
www.boschsecurity.us

Europe, Middle East, Africa:
Bosch Security Systems B.V.
P.O. Box 80002
5600 JB Eindhoven, The Netherlands
Phone: + 31 40 2577 284
Fax: +31 40 2577 330
emea.securitysystems@bosch.com
www.boschsecurity.com

Asia-Pacific:
Robert Bosch (SEA) Pte Ltd, Security Systems
11 Bishan Street 21
Singapore 573943
Phone: +65 6258 5511
Fax: +65 6571 2698
apr.securitysystems@bosch.com
www.boschsecurity.com

Represented by