



PSU-224-DC100 Universal Power Supply



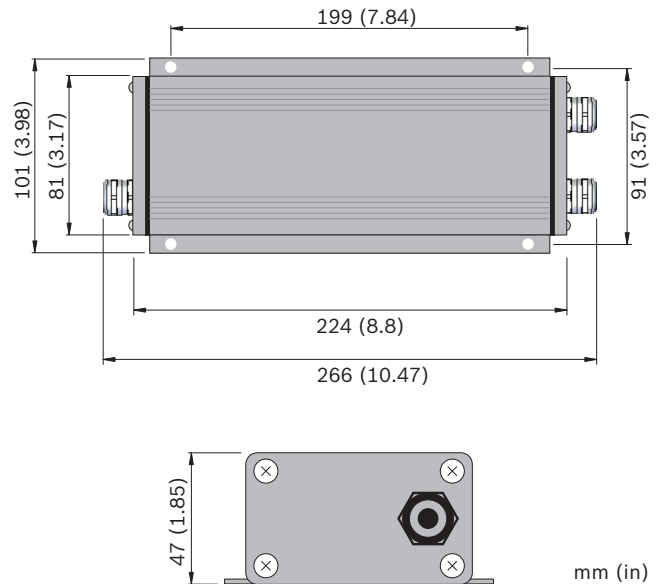
The PSU-224-DC100 universal power supply provides DC voltage to one or two devices requiring a total power of up to 96 W. The power supply accepts 100-240 VAC input, and outputs 24 VDC. The power supply is certified for UL safety ratings as a Class 2 power circuit. The power supply uses input and output clamps to connect the power input cable, and up to two power output cables (no cables included). The power supply is enclosed in a rugged metal housing, and is suitable for indoor and outdoor use (IP66 rated).

Certifications and Approvals

Region	Certification
Europe	CE
USA	FCC + UL

Installation/Configuration Notes

Dimensions



Technical Specifications

Output

DC voltage	24 VDC
Rated current	4.0 A
Rated power	96 W (total both outputs)

Input

Voltage range	100 to 240 VAC
Frequency range	50 to 60 Hz
AC current	1.5 A (115 VAC) 0.5 A (230 VAC)

Construction

Weight	1.25 kg
Material	Casing: Aluminum extrusion; End-caps: mild steel.
Finish	Powder coated paint RAL 9010 (Pure White)
Cable glands	Suitable for cable diameter 4 to 8 mm

Environment

Water protection	IP66
Working temperature	-30 to +50°C
Working humidity	20 to 95% RH non-condensing
Storage temperature	-40 to +80°C
Storage humidity	10 to 95% RH non-condensing

Safety & EMC

Safety standards	EN60950-1UL60950-1EN60950-2-2, IP66
Harmonic current	Compliance to Class C (less than 75% load); EN61000-3-3
EMS immunity	Compliance to EN61000-4-2,3,4,5,6,8,11; ENV50204, EN55024, EN61547, light industry level (surge 4KV), criteria A

Ordering Information

PSU-224-DC100 Universal Power Supply **PSU-224-DC100**
Universal Power Supply 2x24 VDC

Americas:
Bosch Security Systems, Inc.
130 Perinton Parkway
Fairport, New York, 14450, USA
Phone: +1 800 289 0096
Fax: +1 585 223 9180
security.sales@us.bosch.com
www.boschsecurity.us

Europe, Middle East, Africa:
Bosch Security Systems B.V.
P.O. Box 80002
5600 JB Eindhoven, The Netherlands
Phone: +31 40 2577 284
Fax: +31 40 2577 330
emea.securitysystems@bosch.com
www.boschsecurity.com

Asia-Pacific:
Robert Bosch (SEA) Pte Ltd, Security Systems
11 Bishan Street 21
Singapore 573943
Phone: +65 6258 5511
Fax: +65 6571 2698
apr.securitysystems@bosch.com
www.boschsecurity.asia

Represented by