

TC2075HL

Medium Security Corner Housing



Security Systems

- Confined Area Surveillance
- Stainless Steel Finish
- Easy Installation and Service
- Tamperproof
- Key Lock
- LEXAN® Viewing Window



The TC2075HL is a secure corner-mount housing which can be used with a manual or auto-iris lens, for security surveillance of confined areas. The distinctive design of the TC2075HL makes it especially suitable for elevators, stairwells, vestibules, entrance lobbies, or mantraps. Use this unit with a wide angle lens to allow the camera to see surrounding walls, floor, and even the corner under the unit.

The housing is designed to accept 2/3 in., 1/2 in., 1/3 in., or smaller monochrome or color CCD cameras.

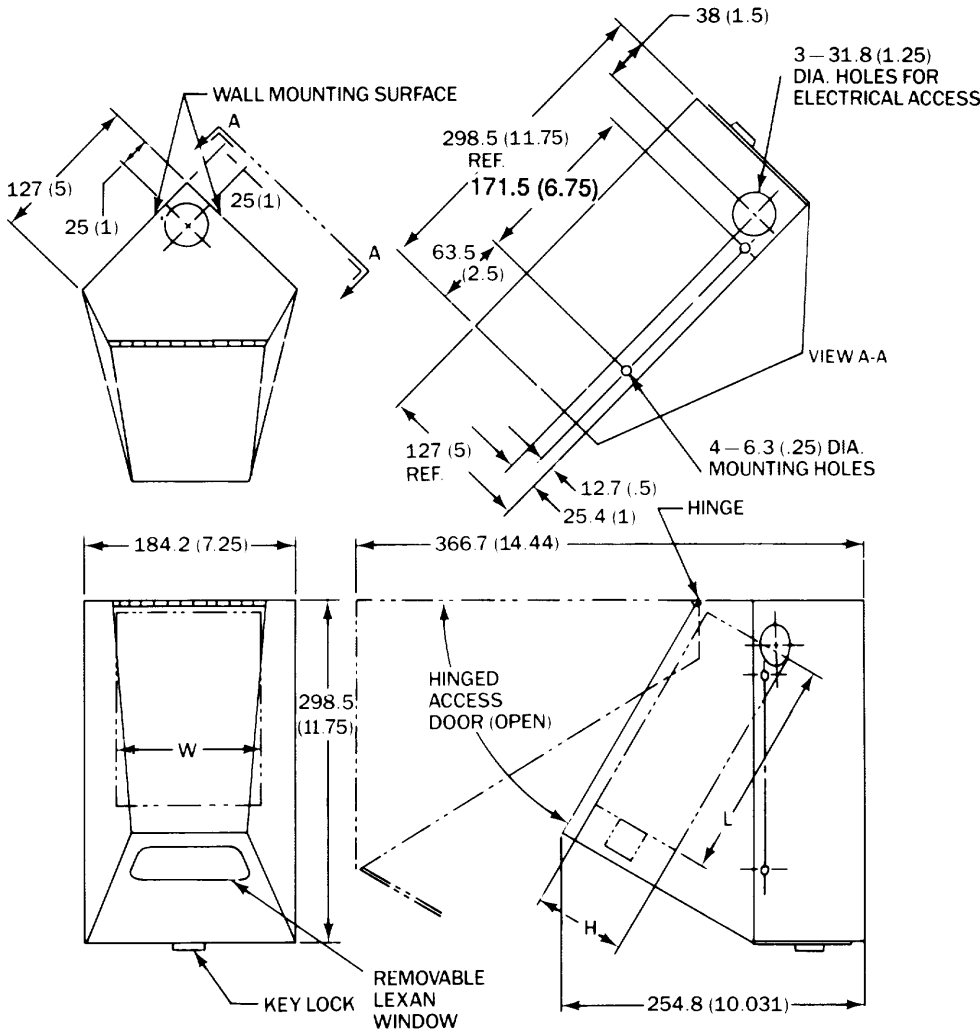
With a steel housing and a mastered cam lock, the TC2075HL is highly tamperproof. The LEXAN window is tough and mar-resistant.

All controls, mounting holes, and electrical access holes are concealed within the secure area. In addition, the TC2075HL meets fire code regulations that require unbroken fire walls.

Model	
TC2075HL	Clear window for color cameras
Mechanical	
Max Camera/Lens Size	
	Accepts cameras up to
	H x W x L: 88.9 mm x 120.6 mm x 243.8 mm
	(3.5 in. x 4.75 in. x 9.6 in.)
Cable Entry	
	Access through rear of housing
Window	
	6.35 mm (0.25 in.) Mar-resistant LEXAN

Lock	
	Mastered cam
Adjustments	
	± 10° in vertical camera angle
Construction	
	1.57 mm (0.062 in.) stainless steel hinged front cover; rear is 1.57 mm (0.062 in.) steel
Finish	
	Brushed stainless steel front; rear of housing is black
Dimensions	
	See Dimensional Outline
Weight	
	3 kg (6.7 lb)

Dimensional Outline



mm
(in)

LEXAN® is a trademark of the General Electric Company.

Bosch Security Systems, Inc.
 850 Greenfield Road
 Lancaster, PA 17601 USA
 Tel: 800-326-3270
 Fax: 717-735-6560
 www.boschsecuritysystems.com

