

LTC 5136 Series AutoDome® Controllers

- Controls a Single AutoDome® Camera System or Standard Allegiant® Receiver/Drivers
- Operates up to 8 Controllable Cameras In a Daisy-Chain Configuration
- Controls All AutoDome® System Features Including Auto Playback
- Small, Compact Design
- Ergonomic Layout For Single-Handed Control



The LTC 5136 Series AutoDome® Controllers provide complete control of the AutoDome system's advanced features including variable speed, auto tour, 99 presets, and full pan/tilt/zoom operation - all from a single one-handed control unit.

Compact in size and user-friendly, the LTC 5136 Series Controllers provide control of a single AutoDome Camera system, or up to eight AutoDome units when used in a daisy-chain configuration. The LTC 5136 Series are also compatible with the standard

Allegiant® LTC 8560 Series Receiver/Drivers, using Allegiant biphasic control code.

The LTC 5136 Series include a 22-key control unit with integral vector-solving pan/tilt/zoom joystick, interface box, and appropriate power supply.

SPECIFICATIONS

System

Includes Control Unit and Interface Box with applicable power supply.

Model No.	Rated Voltage	Voltage Range	Power at Rated Voltage
LTC 5136/50	230 VAC, 50/60 Hz	195.5 to 253	6 W
LTC 5136/60	120 VAC, 50/60 Hz	105 to 132	6 W

Transmission Distance: 1.5 km (5000 ft) using 1 mm² (18 AWG) shielded twisted pair cable (Belden 8760 or equivalent).

Operating Temperature: 0 °C to +40 °C (+32 °F to +104 °F).

Control Unit

Indicators: Camera/Entry Data; 4-digit 7-segment LED display.

Controls: Set, User, Camera, Shot, On, Off, Enter, Clear, Focus, Iris, 10-Digit Numeric Keypad, Joystick.

Connector: RJ-11.

Finish: Charcoal.

Dimensions: 220 W x 51 D x 6.11 H mm (8.67 x 2.00 x 6.11 in).

Weight: 0.55 kg (1.2 lb).

Interface Box

Indicator: Green data LED.

Connectors:

Biphase Output: 4-pin screw terminal for code output.

Control Unit Connection: RJ-11.

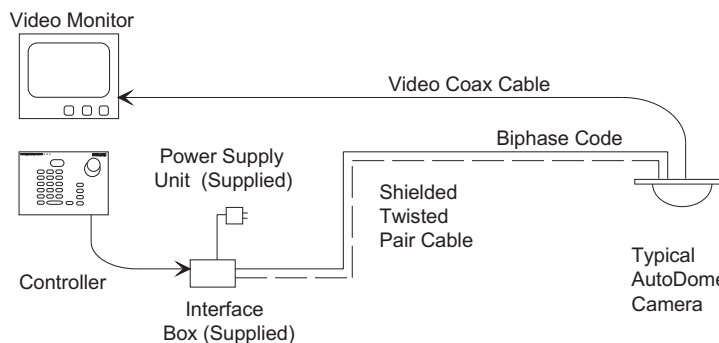
Control Unit to Interface Box Cable: 3.6 m (12 ft) with RJ-11 connector.

Power Connector: Bayonet type.

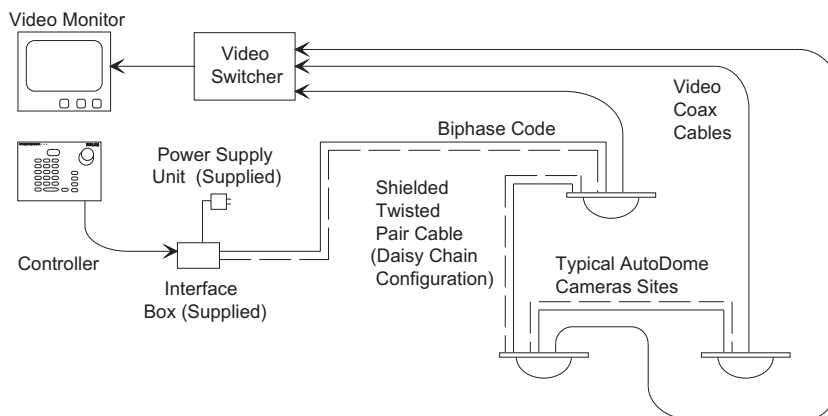
Finish: Charcoal.

Dimensions: 82 W x 57 D x 25 H mm (3.25 x 2.25 x 1 in).

Weight: 0.17 kg (0.4 lb).



Typical Installation



Typical Multiple Camera Sites Using Daisy Chain Biphase Control Code Wiring Configuration

9498 961 01613 98-27
Printed in U.S.A.

© 1998 Philips Electronics N.V.
© 1998 Philips Communication & Security Systems Inc.
All Rights Reserved. Philips ® is a registered trademark of Philips Electronics N.V.
Data subject to change without notice



PHILIPS

Let's make things better.