

DVRI Series Digital Video Recorders

- **Simple VCR Replacement**
- **Network Viewing of Live & Recorded Video**
- **Simultaneously Records & Archives with Remote Viewing**
- **Large Storage Capacity**
- **Multiple Archive Options**
- **Compatible with Philips & Other Manufacturer's Multiplexers**
- **Fast Access to High Quality Video**
- **Audio Recording Version**



Philips' DVRI Series recorders replace traditional analog time-lapse recorders in conventional CCTV systems, providing a cost-effective digital solution. These DVRI recorders are compatible with a wide range of multiplexers. The simple installation, VCR-like functions, and common recording speeds ease the transition to digital and minimize the need for training.

The benefits of digital eliminate the conventional technology associated with VCRs and tapes. This provides fast, uninterrupted video access, available locally and via a network connection. The DVRI is ideal for upgrading an existing CCTV system and for new installations.

These flexible DVRI recorders are designed to suit many applications. Each unit provides two (2) quality settings (VHS and SVHS), three (3) recording modes (manual, event, scheduled), six (6) recording speeds, and three (3) overwrite modes (Continuous, Write once and Stop).

Three models with various internal storage capacities are available, the largest of which includes an option for audio recording. This unit practically eliminates the need for tape archiving, although digital tape archive systems are supported. Selected events can be backed up locally to a CD-writer.

Additionally, events may be stored as video clips on your PC's hard drive,

using the Remote Viewer software. The Remote Viewer provides access to live, recorded, and backed up images, as well as snapshot creation and image enhancement. Image quality will not deteriorate regardless of how many times the images are viewed or re-recorded. A particular benefit is fast access to recorded events, accomplished by simply specifying the camera, time, date, and alarm search filters. When using the viewer, an analysis tool provides graphical display of all recorded video and alarms, making location of the desired video even faster.

The DVRI Series incorporates all of the benefits of digital recording and eliminates the maintenance worries and costs associated with analog VCRs.

SPECIFICATIONS

Electrical

Model No.	Rated Voltage	Voltage Range	Power at Min. Voltage
DVR I	12 VDC	120–230 VAC, 50/60 Hz	35 W nominal
DVR IEP	12 VDC	120–230 VAC, 50/60 Hz	35 W nominal
DVR IEP2	12 VDC	120–230 VAC, 50/60 Hz	40 W nominal
DVR IEP2A (with audio)	12 VDC	120–230 VAC, 50/60 Hz	55 W nominal

*Power adapter is included: 12 VAC, 90 V–264 V AC/DC.

Sync System: PAL & NTSC automatically detected.

Digital Resolution: 720 x 484 NTSC, 720 x 586 PAL.
Grayscale: 256 levels.

Internal Hard Drive Capacity:

DVR I: 30 GB.
DVR IEP: 80 GB.
DVR IEP2: 160 GB.
DVR IEP2A: 160 GB.

Video:

Input: 1.0 V_{p-p} composite, 75 ohm.
Output: 1.0 V_{p-p} composite, 75 ohm.
Colors: YUV 4:2:2, 16.8 million colors.
Compression: Wavelet.

Audio (DVR IEP2A Model Only):

Compression: G.711.

Search Features: Camera, time/date & alarm search.

Recording Modes: Event, scheduled, manual.

Recording Speed:

NTSC: 60, 30, 20, 10, 5, 3, 2, 1, 0.5, 0.2, and 0.1 IPS.
PAL: 50, 25, 17, 10, 5, 3, 2, 1, 0.5, 0.2, and 0.1 IPS.

Connectors:

RS-232, DB-9, male.
I/O Port: DB-9, alarm input and output, record start in, alarm record reset, VEXT pulse out, error out, ground, video loss out, disk full output.
Video Inputs/Outputs: BNC, S-video (4-pin mini).
Audio Inputs/Outputs: RCA jack.
SCSI-2: 50-pin male.
Network: RJ45, 10/100BaseT compatible.

Remote Viewer Software Features:

View live or recorded video.
Store video on PC's hard drive.
Snapshots of live and recorded images.
Review and search video while recording.

PC System Requirements (for Remote Viewer Software):

Windows® 95/98/2000 or Windows NT® operating systems.
Pentium® 166 MHz or faster.
16 MB free hard disk or more.
Monitor (SVGA) 1024 x 768, 24-bit color.

Mechanical

Dimensions: 444.5 W x 355.6 D x 44.45 H mm
(17.5 W x 14 D x 1.75 H in).

Weight:

DVR I & DVR IEP: 11.46 lb (5.2 kg).
DVR IEP2 & DVR IEP2A: 13.8 lb (5.98 kg).

Temperature: Operating: 0° to 40°C (32° to 104° F).

Relative Humidity: 80%, noncondensing.

Accessories (Included)

Rack Kit

9-pin Accessory Board

Philips Approved Archiving Kits¹

ARCAIT2S: Single AIT-2 tape drive (1) SCSI cable, (1) SCSI active terminator.

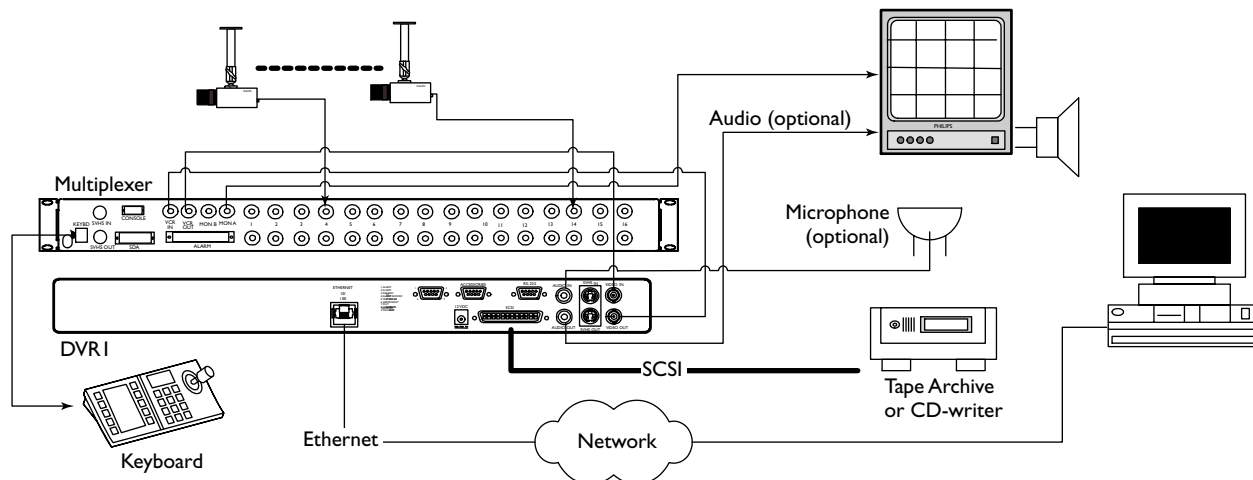
DTDI: Single DAT tape drive, 20 GB; (1) SCSI cable; (1) SCSI active terminator.

DT-20: 20 GB DAT tapes.

DT-50: 50 GB AIT-2 tapes.

ARCCDW: CD-writer, 10 CD-RWs, (1) SCSI cable.

1. For the latest *Approved Archive Devices & Multiplexer Compatibility* chart visit the **Digital Video Multiplexer/Recorders** area of our Web site at www.philipscsi.com.



Typical System Configuration

Windows® and Windows NT® are registered trademarks of Microsoft Corporation.
Pentium® is a registered trademark of Intel Corporation.

9498 961 48513 01-31
Printed In U.S.A.

© 2001 Philips Electronics N.V.
© 2001 Philips Communication, Security & Imaging, Inc.
All Rights Reserved. Philips® is a registered trademark of Philips Electronics N.V.
Data subject to change without notice



PHILIPS

Let's make things better.