

MIC Series 612 Thermal Camera

www.boschsecurity.com



BOSCH

Invented for life



- ▶ User-switchable (single) or simultaneous (dual) thermal/optical video output
- ▶ Choice of thermal imagers: standard resolution (35 mm, with user-selectable on-screen temperature display (spot meter)) or high resolution (50 mm)
- ▶ Video and control over IP when powered by MIC IP Power Supply (sold separately)
- ▶ Human detection range up to 1500 m (almost twice the range of previous MIC thermal models)
- ▶ Robust design rated to an industry-leading IP68/ NEMA 6P/IK10

The MIC Series 612 camera has been designed to offer an extremely reliable, robust, and high-quality surveillance solution for security applications that demand the very best performance. Precision engineered to exacting standards, the camera offers the most ruggedized dual optical/thermal image capture solution available on the market today.

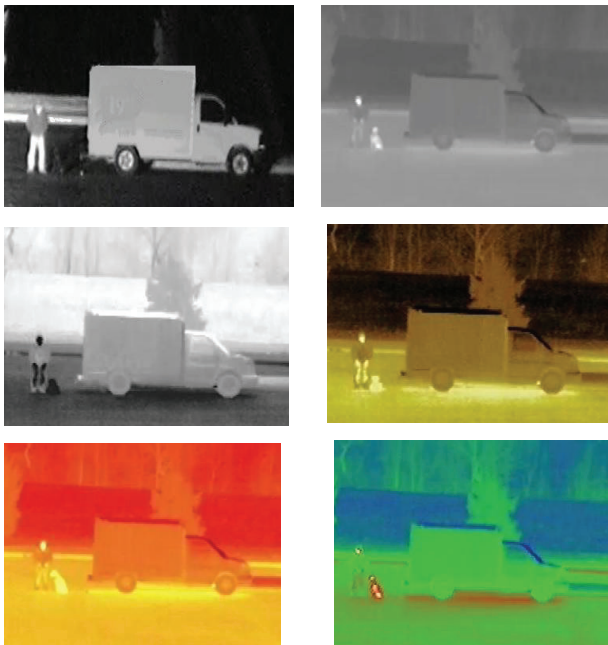
System Overview

High-performance camera with simultaneous thermal/optical video output

Image control and quality are integral aspects of any PTZ camera, and the MIC Series 612 delivers. A high-quality day/night camera core with 36x optical zoom lens and a full 12x digital zoom, and a high-performance, un-cooled thermal imaging core sit side-by-side within the housing. Each MIC Series 612 has two video outputs – one for the optical camera, and one that is user-switchable between the optical camera and the thermal imager. The optical camera provides 550 TVL of horizontal resolution for outstanding clarity and image detail, and incorporates Wide Dynamic Range (WDR) that dramatically improves the dynamic range by 128 times and results

in clear image reproduction in extreme high-contrast environments. Features of AutoScaling (proportional zoom) and AutoPivot (automatically rotates and flips the camera) ensure optimal control. Day/night capabilities and outstanding sensitivity make the MIC Series 612 an exceptional performer in all lighting conditions. In low light, the optical camera automatically switches from color to monochrome by removing the IR filter to boost sensitivity, while maintaining superior image quality. For operation in the darkest conditions, the SensUp control feature automatically reduces the shutter speed to as little as one second. This increases sensitivity by more than 50 times. In addition to low light applications, the optical camera is also an exceptional performer when viewing under a sodium vapor lamp (for example, a street lamp or tunnel lamp), which normally gives a yellowish tint to images. The camera automatically compensates and restores objects to their original color. The thermal imager has user-selectable color options including White Hot, Black Hot, and many others, and built-in sun protection that allows the camera to self-heal if pointed directly at the sun. Standard-resolution models also have a user-selectable on-screen temperature display (spot meter).

Examples of optical and thermal modes



Optical image / Thermal image, White Hot mode; (middle) Black Hot / Sepia; (bottom) Globow / Rainbow

Robust design rated to an industry-leading IP68/NEMA 6P

Subjected and certified to rigorous ingress certification tests, MIC Series cameras are perfectly suited for installation in even the most unforgiving environments, eliminating the need for pressurization. The cameras are machined from solid aluminum and protected from corrosion by two different processes: first, they receive a coating of Alodine 5200, a chromate conversion coating of aluminum that is used in the aerospace and defense industries where a protective layer is required to improve corrosion resistance. Second, they receive a robust, powder paint coating. The cameras are sealed with ‘O’ rings and can operate submerged in up to one (1) meter (3.3 feet) of water for sustained periods of time [a maximum duration of 24 hours]. (They are not rated to be installed permanently under water.) (The thermal camera will show no detail if submerged.)

Functions

Multi-protocol operation

The MIC Series 612 incorporates Bosch’s standard controller interface supporting familiar on-screen menus and multiple protocols, including Bosch “Biphase (OSRD),” “Bilinx,” and Pelco “P” and “D.” This makes it simple to integrate and use the camera within systems that already use Bosch AutoDome cameras and systems.

High performance PTZ operations

Brushless motor technology ensures ultra-reliable operation with full 360° continuous rotation pan for exceptional viewing capability. The camera supports

99 pre-positions and two styles of Guard Tours: Preset and Record/Playback. The preset tour has capability for up to 99 pre-positions with a configurable dwell time between pre-positions, and can be customized as to the order and frequency each preset is visited. The camera also provides support for two recorded tours, which have a combined duration of 15 minutes of movements. These are recorded macros of an operator’s movements, including pan, tilt, and zoom activities, and can be played back in a continuous manner.

Superior privacy masking and Image Stabilization

The MIC Series 612 has 24 individual privacy masks, with up to eight displayed in the same scene. Unlike conventional privacy masks, these can be programmed with three, four, or even five corners each to cover more complex shapes. Each mask changes size and shape smoothly and quickly, ensuring that the covered object cannot be seen. Each mask can appear in black, white, or blurred. Blurred is useful when privacy is an issue, but determining the presence of motion is still required.

As PTZ cameras continue to increase their optical zoom capabilities, image stabilization becomes critical to eliminate movement caused by unstable camera mounts. A mere quarter-inch of movement of the camera mount can shift the field of view by more than 6 m (20 feet) when the camera is zoomed to a high value. This can render images unusable. Image stabilization algorithms in the optical camera reduce camera shake in both the vertical and horizontal axis, resulting in exceptional image clarity (pixel displacement up to +/- 10% for frequencies up to 10 Hz) without reducing camera sensitivity.

Easy installation and servicing

The MIC Series 612 is compatible with all MIC Series brackets and control equipment for easy installation, integration, and operation. These brackets, as well as connection cables and power supply units for the camera, are sold separately. The camera can be installed upright or inverted. No matter the installation position, the camera will operate faultlessly. Bosch’s Configuration Tool for Imaging Devices (CTFID) allows users to control the PTZ, change camera settings, and update firmware from remote locations without need for additional wiring. The camera has advanced built-in diagnostics to simplify service and minimize downtime. Using the On-screen Display (OSD), a technician can quickly and easily check critical parameters (such as internal temperature) to verify that the camera is functioning within acceptable operating limits.

Integrated long-life silicone wiper

Thanks to its integrated wiper, the MIC Series 612 is able to capture the highest possible quality image regardless of the weather.

Certifications and Approvals

Electromagnetic Compatibility (EMC)	Complies with FCC part 15, ICES-003, and CE regulations including EN50130-4: 2011, EN55022: 2010, EN50121-4: 2006, EN61000-4-2, 4-3, 4-4, 4-5, 4-6, 4-8, and 4-11
Safety	Complies with CE regulations, UL, EN, and IEC standards 60950-1 & 22
Ingress Protection Rating/Standard	IP68, NEMA 6P
IK Code	IK10

Installation/Configuration Notes

The table below identifies the resolution and the thermal frame rate for the various model mixes of MIC612.

Model	Resolution	Frame Rate
MIC612TI-	Standard	7.5Hz (NTSC) 8.3Hz (PAL)
MIC612TF-	Standard	25Hz (PAL) 30Hz (NTSC)
MIC612HI-	High	7.5Hz (NTSC) 8.3Hz (PAL)
MIC612HF-	High	25Hz (PAL) 30Hz (NTSC)



Notice

Models of 25 Hz or 30 Hz require specific export licenses--one license per customer--arranged prior to the camera being built. MIC612TF- models require an export license from the U.S. Department of Commerce. MIC612HF- models require an export license from the U.S. Department of State. For more information, contact your local Bosch Security Systems Customer Service Center.

Technical Specifications

Optical Camera Core, 36x Day/Night

Imager	¼ in.-type EXview HAD CCD (progressive scan)
Resolution/Effective Picture Elements	PAL: Approximately 440,000; 752(H) x 582(V) NTSC: Approximately 380,000; 768(H) x 494(V)
Lens	36x Zoom (3.4 mm to 122.4 mm) F1.6 to F4.5
Zoom Movement Speed	4.0 seconds (optical Wide to optical TELE) 6.2 seconds (optical wide to digital TELE)
Focus	Automatic with manual override
Iris	Automatic with manual override
Field of View (FOV)	1.7° to 57.8°

Video Output	1.0 Vp-p, 75 Ohm	
Gain Control	Auto/Manual/Max. (-3 dB to +28 dB, 2 dB steps)	
Aperture Correction	Horizontal and vertical	
Digital Zoom	12x	
Horizontal Resolution	550 TVL (NTSC, PAL) typical	
Sensitivity¹	30 IRE	50 IRE
Day Mode		
SensUp Off	0.66 lux	1.4 lux
SensUp On (NTSC: 1/4s, 15X; PAL 1/3s, 16.7X)	0.04 lux	0.1 lux
Night Mode		
SensUp Off	0.104 lux	0.209 lux
SensUp On (NTSC: 1/4s, 15X; PAL 1/3s, 16.7X)	0.0052 lux	0.0103 lux
Filter	Automatic IR cut filter	
Electronic Shutter Speed	1/1 to 1/10,000 seconds (22 steps)	
Wide Dynamic Range (WDR)	92 dB (50 dB with WDR Off)	
Signal-to-Noise Ratio (SNR)	>50 dB	
White Balance	2000 K to 10,000 K	

¹ Unless otherwise stated, test conditions are: F1.6; shutter = NTSC 1/60s, PAL 1/50s; max AGC

Thermal Camera Core, Standard Resolution (35 mm)

Imager	Focal Plane Array (FPA), un-cooled Vanadium Oxide microbolometer with user-selectable on-screen temperature display (spot meter) - 7.5 Hz NTSC, 8.3 Hz PAL - 30 Hz NTSC, 25 Hz PAL; US export license required.
Resolution/Effective Picture Elements	PAL: 320 x 256 NTSC: 320 x 240
Lens	35 mm (F1.2)
Field of View (FOV)	13° x 10°
Spectral Response	7.5 to 13.5 µm
Thermal Sensitivity (NEDT)	<50mk f/1.0

Digital Zoom	2x, 4x	
Focus	Factory-set at infinity focus	
Performance Range	Human 1.8 x 0.5 m (5.9 x 1.6 ft)	Object 2.3 x 2.3 m (7.5 x 7.5 ft)
Detection	800 m (2625 ft)	2250 m (7382 ft)
Recognition	200 m (656 ft)	590 m (1936 ft)
Identification	105 m (344 ft)	290 m (951 ft)
User-selectable AGC Modes	Outdoor (default mode) Indoor Low Contrast	
User-selectable Thermal Modes (Color Options)	White Hot (default mode) Black Hot IceFire Glowbow Ironbow 1 Ironbow 2 Rainbow Fusion Sepia Color 1 Color 2 RedHot GreenHot Rain	

Thermal Camera Core, High Resolution (50 mm)

Imager	Focal Plane Array (FPA), un-cooled Vanadium Oxide microbolometer - 7.5 Hz NTSC, 8.3 Hz PAL - 30 Hz NTSC, 25 Hz PAL; US export license required.	
Resolution/Effective Picture Elements	PAL: 640 x 512 NTSC: 640 x 480	
Lens	50 mm (F1.2)	
Field of View (FOV)	12.4° x 9.9°	
Spectral Response	7.5 to 13.5 μm	
Thermal Sensitivity (NETD)	<50mk f/1.0	
Digital Zoom	2x, 4x	
Focus	Factory-set at infinity focus	
Performance Range	Human 1.8 x 0.5 m (5.9 x 1.6 ft)	Object 2.3 x 2.3 m (7.5 x 7.5 ft)
Detection	1500 m (4921 ft)	3900 m (12,795 ft)
Recognition	380 m (1247 ft)	1060 m (3478 ft)
Identification	190 m (623 ft)	540 m (1772 ft)
User-selectable AGC Modes	Outdoor (default mode) Indoor Low Contrast	

User-selectable Thermal Modes (Color Options)

White Hot (default mode)
Black Hot
IceFire
Glowbow
Ironbow 1
Ironbow 2
Rainbow
Fusion
Sepia
Color 1
Color 2
RedHot
GreenHot
Rain

Mechanical

Drive Unit	Brushless integral pan/tilt motor drive
Pan Range	360° continuous rotation
Tilt Angle	180°
Tilt Range	-58° to +90°
Variable Speed	Pan: 0.2° to 72° per second (variable) Tilt: 0.2° to 90° per second (variable)
Pre-Position Speed	120°/second
Preset Accuracy	±0.30° (typical)
Proportional Pan / Tilt to Zoom	Yes
Audible Noise	<66dB

Electrical

Input Voltage (dual source)	18 VAC, ±10%, 50/60 Hz
Power Consumption	Camera: 36 VA With heater: 54 VA
Input Current	Camera: 2 A Heater: 1 A

Miscellaneous

Sectors / Titling	16 independent sectors, each with 20-character title
Privacy Masking	24 individually-configurable privacy masks
Prepositions	99, each with 20-character title
Guard Tours	Recorded Tours - two (2), total duration 15 minutes Preset Tours - one (1), consisting of up to 99 scenes, consecutively, and one (1) customized up to 99 scenes
Camera Setup / Control	RS-485, Bilinx (coax)
Communications Protocols	Bosch (Bilinx, OSRD), Pelco D/P Bosch OSRD requires use of converter device (MIC-BP3 or MIC-BP4, sold separately). (Bicom/Bilinx support on visible channel only.)

Washer Drive	Optional washer kit (MIC-WKT Kit used with the appropriate HAC-WAS washer pump)
Supported Languages	English, Czech*, Dutch, French, German, Italian, Portuguese, Russian*, Spanish * Available with separate language upload

User Connections

Power	Via composite cable (sold separately)
Control Data	RS-485 (Twisted pair; Simplex, half and full duplex operation via composite cable) Biphase ± (Optional; requires MIC Biphase module with external power supply.)
Video	Dual coaxial via composite cable (sold separately) (Optical and optical/thermal cameras selectable.)
Alarm Inputs	One (1) tamper input (eight (8) additional inputs possible with optional alarm card)
Relay Outputs	Two (2) relay outputs and washer relay output only with optional alarm card
Alarm Communication	Tamper switch (ground connection)
Software	CTFID software allows direct connection to a USB-equipped PC via the MIC Series PSU over a full duplex to provide access to all camera functions and useful diagnostic tools.

Environmental

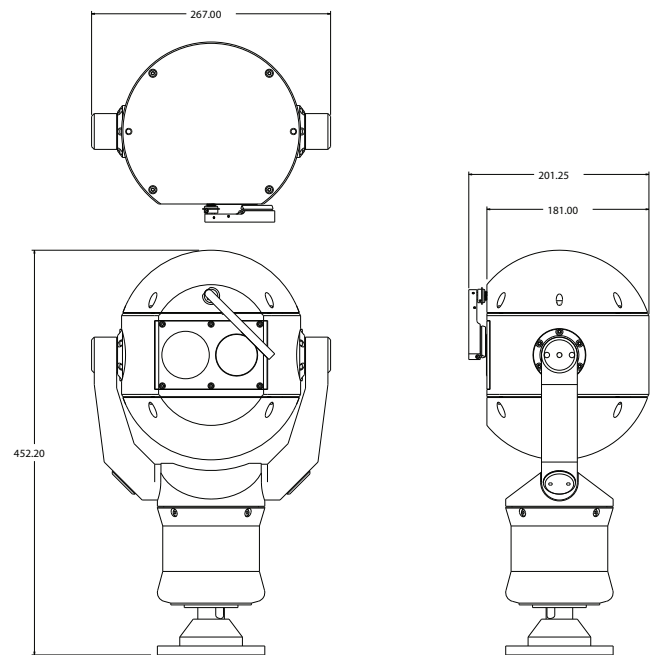
Ingress Protection Rating/Standard	IP68/NEMA 6P
Operating Temperature (with heater)	-40 °C to +60 °C (-40 °F to +140 °F)
Cold Start-up Temperature	-40 °C (-40 °F) (Requires 30-minute warm-up prior to PTZ operations.)
Storage Temperature	-40 °C to +70 °C (-40 °F to +158 °F)
Humidity	0-100%
Wind Load (Estimated)	240 kph (150 mph) (sustained) Camera: 517 N (116 lbf) Wall Mount: 130 N (29 lbf) Effective Projected Area (EPA): Camera: 0.192 m ² / 2.06 ft ² Wall Mount: 0.0483 m ² / 0.52 ft ²
Vibration	IEC 60068-2-6, Test Fc: Vibration (operational), 10m/s ² (1.0g)
Shock	IEC 60068-2-27, Test Ea: Shock, 30g
IK Code	IK10

Construction

Dimensions (W x H x D)	267 mm x 452 mm x 201 mm (10.5 in. x 17.8 in. X 7.9 in.)
Weight	10.66 kg (23.50 lb) (including 4-in. pitch circle diameter (PCD) base)

Viewing Window	Tempered flat glass (optical) and germanium covering (thermal)
Construction Material	Machined aluminum
Standard Colors	Black (RAL9005), White (RAL9010); Grey (RAL9006, available in specific regions)
Standard Finish	Alodine 5200 surface treatment with powder coat paint, sand finish
Window Wiper	Standard, long-life silicone wiper
Heater	Standard
Sunshield	Optional; sold separately

Dimensional Drawings



Ordering Information

MIC-612TIALB36N

PTZ, dual thermal/optical camera, NTSC, Black, 36x optical zoom, 320x240 thermal picture elements, 7.5 Hz thermal imager frame rate, 35 mm thermal lens. Order number **MIC-612TIALB36N**

MIC-612TIALW36N

PTZ, dual thermal/optical camera, NTSC, White, 36x optical zoom, 320x240 thermal picture elements, 7.5 Hz thermal imager frame rate, 35 mm thermal lens. Order number **MIC-612TIALW36N**

MIC-612TIALB36P

PTZ, dual thermal/optical camera, PAL, Black, 36x optical zoom, 320x256 thermal picture elements, 8.3 Hz thermal imager frame rate, 35 mm thermal lens. Order number **MIC-612TIALB36P**

MIC-612TIALW36P

PTZ, dual thermal/optical camera, PAL, White, 36x optical zoom, 320x256 thermal picture elements, 8.3 Hz thermal imager frame rate, 35 mm thermal lens.
Order number **MIC-612TIALW36P**

MIC-612TIALG36P

PTZ, dual thermal/optical camera, PAL, Grey, 36x optical zoom, 320x256 thermal picture elements, 8.3 Hz thermal imager frame rate, 35 mm thermal lens.
Order number **MIC-612TIALG36P**

MIC-612TFALB36N

PTZ, dual thermal/optical camera, NTSC, Black, 36x optical zoom, 320x240 thermal picture elements, 30 Hz thermal imager frame rate, 35 mm thermal lens. Requires U.S. Department of Commerce export license--one license per customer--arranged prior to camera being built.
Order number **MIC-612TFALB36N**

MIC-612TFALW36N

PTZ, dual thermal/optical camera, NTSC, White, 36x optical zoom, 320x240 thermal picture elements, 30 Hz thermal imager frame rate, 35 mm thermal lens. Requires U.S. Department of Commerce export license--one license per customer--arranged prior to camera being built.
Order number **MIC-612TFALW36N**

MIC-612TFALD36N

PTZ, dual thermal/optical camera, NTSC, Sand, 36x optical zoom, 320x240 thermal picture elements, 30 Hz thermal imager frame rate, 35 mm thermal lens. Requires U.S. Department of Commerce export license--one license per customer--arranged prior to camera being built.
Order number **MIC-612TFALD36N**

MIC-612TFALB36P

PTZ, dual thermal/optical camera, PAL, Black, 36x optical zoom, 320x256 thermal picture elements, 25 Hz thermal imager frame rate, 35 mm thermal lens. Requires U.S. Department of Commerce export license--one license per customer--arranged prior to camera being built.
Order number **MIC-612TFALB36P**

MIC-612TFALW36P

PTZ, dual thermal/optical camera, PAL, White, 36x optical zoom, 320x256 thermal picture elements, 25 Hz thermal imager frame rate, 35 mm thermal lens. Requires U.S. Department of Commerce export license--one license per customer--arranged prior to camera being built.
Order number **MIC-612TFALW36P**

MIC-612TFALG36P

PTZ, dual thermal/optical camera, PAL, Grey, 36x optical zoom, 320x256 thermal picture elements, 25 Hz thermal imager frame rate, 35 mm thermal lens.

Requires U.S. Department of Commerce export license--one license per customer--arranged prior to camera being built.

Order number **MIC-612TFALG36P**

MIC-612HIALB36N

PTZ, dual thermal/optical camera, NTSC, Black, 36x optical zoom, 640x480 thermal picture elements, 7.5 Hz thermal imager frame rate, 50 mm thermal lens.
Order number **MIC-612HIALB36N**

MIC-612HIALB36P

PTZ, dual thermal/optical camera, PAL, Black, 36x optical zoom, 640x512 thermal picture elements, 8.3 Hz thermal imager frame rate, 50 mm thermal lens.
Order number **MIC-612HIALB36P**

MIC-612HFALB36N

PTZ, dual thermal/optical camera, NTSC, Black, 36x optical zoom, 640x480 thermal picture elements, 30 Hz thermal imager frame rate, 50 mm thermal lens. Requires an export license--one license per customer--from the U.S. Department of State prior to camera being built.
Order number **MIC-612HFALB36N**

MIC-612HFALB36P

PTZ, dual thermal/optical camera, PAL, Black, 36x optical zoom, 640x512 thermal picture elements, 25 Hz thermal imager frame rate, 50 mm thermal lens. Requires an export license--one license per customer--from the U.S. Department of State prior to camera being built.
Order number **MIC-612HFALB36P**

Accessories**MIC Thermal Cable 2M**

2 meter (6.56 ft) composite cable with plug for power, data and video for MIC Series thermal cameras
Order number **MIC-THERCBL-2M**

MIC Thermal Cable 10M

10 meter (32.81 ft) composite cable with plug for power, data and video for MIC Series thermal cameras
Order number **MIC-THERCBL-10M**

MIC Thermal Cable 20M

20 meter (62.62 ft) composite cable with plug for power, data and video for MIC Series thermal cameras
Order number **MIC-THERCBL-20M**

MIC Thermal Cable 25M

25 meter (82.02 ft) composite cable with plug for power, data and video for MIC Series thermal cameras
Order number **MIC-THERCBL-25M**

MIC-24PSU-2 MIC Power Supply Unit, 24VAC, 50/60 Hz

24 VAC, 50/60 Hz power supply with two video outputs for MIC Series cameras.
Order number **MIC-24PSU-2**

MIC-115PSU-2 MIC Power Supply Unit, 120VAC, 50/60 Hz

115 VAC, 50/60 Hz power supply with two video outputs for MIC Series cameras.

Order number **MIC-115PSU-2**

MIC-240PSU-2 MIC Power Supply Unit, 230 VAC, 50/60 HZ

230 VAC, 50/60 Hz power supply with two video outputs for MIC Series cameras.

Order number **MIC-240PSU-2**

MIC IP Power Supply 115 VAC

115 VAC, 50/60 Hz, IP-enabled power supply for MIC Series cameras

Order number **MIC-IP-PS-115**

MIC IP Power Supply 230 VAC

230 VAC, 50/60 Hz, IP-enabled power supply for MIC Series cameras

Order number **MIC-IP-PS-230**

MIC IP Power Supply 24 VAC

24 VAC, 50/60 Hz, IP-enabled power supply for MIC Series cameras

Order number **MIC-IP-PS-24**

MIC-DCA-BD Deep Conduit Adapter, Black

Deep conduit adapter for 4 in. PCD base, black sand finish (RAL9005)

Order number **MIC-DCA-BD**

MIC-DCA-WD Deep Conduit Adapter, White

Deep conduit adapter for 4 in. PCD base, white sand finish (RAL9010)

Order number **MIC-DCA-WD**

MIC-DCA-GD Deep Conduit Adapter, Grey

Deep conduit adapter for 4 in. PCD base, grey sand finish (RAL 9006)

Order number **MIC-DCA-GD**

MIC-SCA-BD Shallow Conduit Adapter, Black

Shallow conduit adapter for a MIC-WMB, a MIC-PMB, or a MIC-SPR, black sand finish (RAL9005)

Order number **MIC-SCA-BD**

MIC-SCA-WD Shallow Conduit Adapter, White

Shallow conduit adapter for a MIC-WMB, a MIC-PMB, or a MIC-SPR mount, white sand finish (RAL9010)

Order number **MIC-SCA-WD**

MIC-SCA-GD Shallow Conduit Adapter, Grey

Shallow conduit adapter for a MIC-WMB, a MIC-PMB, or a MIC-SPR, grey sand finish (RAL 9006)

Order number **MIC-SCA-GD**

MIC-SPR-BD Spreader Plate, Black

Aluminum spreader plate suitable for brickwork surface mounting, black sand finish (RAL9005)

Order number **MIC-SPR-BD**

MIC-SPR-WD Spreader Plate, White

Aluminum spreader plate suitable for brickwork surface mounting, white sand finish (RAL9010)

Order number **MIC-SPR-WD**

MIC-SPR-GD Spreader Plate, Grey

Aluminum spreader plate suitable for brickwork surface mounting, grey sand finish (RAL 9006)

Order number **MIC-SPR-GD**

MIC-CMB-BD Corner Mount Bracket, Black

Corner mount bracket, black sand finish (RAL9005)

Order number **MIC-CMB-BD**

MIC-CMB-WD Corner Mount Bracket, White

Corner mount bracket, white sand finish (RAL9010)

Order number **MIC-CMB-WD**

MIC-CMB-GD Corner Mount Bracket, Grey

Corner mount bracket, grey sand finish (RAL 9006)

Order number **MIC-CMB-GD**

MIC-WMB-BD Wall Mount Bracket, Black

Wall mount bracket, black sand finish (RAL9005)

Order number **MIC-WMB-BD**

MIC-WMB-WD Wall Mount Bracket, White

Wall mount bracket, white sand finish (RAL9010)

Order number **MIC-WMB-WD**

MIC-WMB-GD Wall Mount Bracket, Grey

Wall mount bracket, grey sand finish (RAL9006)

Order number **MIC-WMB-GD**

MIC-WMBULTRA Wall Mount Bracket, Light Stone RAL9006

Wall Mount Bracket, Light Stone (RAL9006) for MIC412ULTRA and MIC-612ALULTRA.

Order number **MICWMBULTRA**

MIC-PMB Pole Mount Bracket

Pole mount bracket (includes 2 x 455 mm stainless steel banding straps for pole diameters 75 to 145 mm)

Order number **MIC-PMB**

MIC-BP3 Biphase Converter

Biphase converter for IR power supplies or non-IR power supplies without a free expansion slot available

Order number **MIC-BP3**

MIC-BP4 Biphase Converter

Biphase converter for non-IR versions of MIC series power supply units

Order number **MIC-BP4**

MIC-516ALM Alarm Card

8 Input alarm card for MIC-516KBD

Order number **MIC-516ALM**

MIC-ALM Alarm and Washer Pump Drive Card

8 Input alarm and washer pump drive card for PSU (Not for IR PSU)

Order number **MIC-ALM**

MIC-WKT Washer Kit

Washer kit for non infrared MIC models (includes washer pump drive card, washer nozzle and mounting brackets for wall and 4 in. PCD base)

Order number **MIC-WKT**

HAC-WAS05-20 24 VAC Washer

24 VAC washer inst. 4M 25L

Order number **HAC-WAS05-20**

HAC-WAS30-50 230 VAC Washer

230 VAC washer inst. 30M 25L

Order number **HAC-WAS30-50**

MIC-412-RWAC Replacement Wiper Assembly for MIC412 and MIC612, Silver

Replacement silicone wiper assembly (single wiper blade and associated hardware) for MIC412 and MIC612 cameras; silver.

Order number **MIC-412-RWAC**

MIC-412-RWAB Replacement Wiper Assembly for MIC412 and MIC612, Black

Replacement silicone wiper assembly (single wiper blade and associated hardware) for MIC412 and MIC612 cameras; black.

Order number **MIC-412-RWAB**

VG4-SFPSCKT Fiber Optic Ethernet Media Converter Kit

Ethernet media converter video transmitter/data receiver fiber optic kit

Order number **VG4-SFPSCKT**

Software Options**VP-CFGSFT Configuration Tool for Imaging Devices**

Camera configuration software for use with Bilinx cameras

Order number **VP-CFGSFT**

MVC-FIVA4-ENC1

IVA 4.xx/5.xx VCA software license for single channel encoder (e-license)

Order number **MVC-FIVA4-ENC1**

Represented by:**Americas:**

Bosch Security Systems, Inc.
130 Perinton Parkway
Fairport, New York, 14450, USA
Phone: +1 800 289 0096
Fax: +1 585 223 9180
security.sales@us.bosch.com
www.boschsecurity.us

Europe, Middle East, Africa:

Bosch Security Systems B.V.
P.O. Box 80002
5617 BA Eindhoven, The Netherlands
Phone: + 31 40 2577 284
Fax: +31 40 2577 330
emea.securitysystems@bosch.com
www.boschsecurity.com

Asia-Pacific:

Robert Bosch (SEA) Pte Ltd, Security Systems
11 Bishan Street 21
Singapore 573943
Phone: +65 6571 2808
Fax: +65 6571 2699
apr.securitysystems@bosch.com
www.boschsecurity.asia

China:

Bosch (Shanghai) Security Systems Ltd.
201 Building, No. 333 Fuquan Road
North IBP
Changning District, Shanghai
200335 China
Phone +86 21 22181111
Fax: +86 21 22182398
www.boschsecurity.com.cn

America Latina:

Robert Bosch Ltda Security Systems Division
Via Anhanguera, Km 98
CEP 13065-900
Campinas, Sao Paulo, Brazil
Phone: +55 19 2103 2860
Fax: +55 19 2103 2862
al.securitysystems@bosch.com
www.boschsecurity.com