

MIC Series 550 Classic Camera

www.boschsecurity.com



BOSCH

Invented for life



- ▶ Choice of 36x or 28x day/night cameras with 550 TVL, 12x digital zoom, and Wide Dynamic Range (WDR)
- ▶ Sodium Vapor White Balance mode restores objects to their original color
- ▶ Robust design rated to an industry-leading IP68
- ▶ Complete series of mounting accessories; various mounting positions, including on-site canting
- ▶ Integrated ultra long-life silicone wiper

The MIC Series 550 Classic camera combines cutting-edge technology with the latest production techniques to provide a class-leading feature set in an economical package. The MIC Series 550 Classic range takes high quality surveillance to new levels of excellence.

As a best-fit camera for virtually any security application, it can be installed in the harshest of environments. Thanks to its IP68-rated aluminum casing, the MIC Series 550 Classic camera functions perfectly in the most demanding conditions. This tough and vandal-resistant casing provides protection from the elements and physical attack. An integrated long-life silicone wiper and a reversible rain shield ensure high quality images regardless of the installed environment.

The brushless-motor technology offers ultra-reliable operation with full 360° continuous rotation pan and 270° tilt control for exceptional viewing capability. Small increment pan speeds from just 0.2° per second to 120° per second gives the user precise control. This speed control is especially important when used with video analytic systems, particularly for tracking subjects when fully zoomed in.

The MIC Series 550 Classic camera incorporates Bosch's standard controller interface supporting familiar AutoDome on-screen menus. This

enhancement makes it simple to integrate and use the MIC Series 550 Classic within systems that already use Bosch AutoDome cameras and systems.

System Overview

Subjected and certified to rigorous IP68 dust and immersion tests, MIC Series cameras are perfectly suited for installation in even the most unforgiving environments, eliminating the need for pressurization. The cameras are machined from solid aluminum and protected from corrosion by two different processes: first, they receive a coating of Alodine 5200, a chromate conversion coating of aluminum that is used in the aerospace and defense industries where a protective layer is required to improve corrosion resistance. Second, they receive a robust, powder paint coating. The cameras are sealed with 'O' rings and can operate submerged in up to one (1) meter (3.3 feet) of water for sustained periods of time [a maximum duration of 24 hours]. (They are not rated to be installed permanently under water.)

Multi-protocol operation

The MIC Series 550 Classic camera supports the following protocols for seamless integration with existing security systems: Bosch “Biphase (OSRD)” and “Bilinx,” Pelco “P” and “D,” and Forward Vision.

Various mounting options, including on-site canting

The MIC Series 550 Classic camera features twist-lock on-site canting functionality. This allows the camera to be installed upright, inverted, or canted (at a 45° angle) to achieve the perfect field of view. No matter the installation position, the camera will operate faultlessly.

Integrated wiper

Regardless of the weather, the MIC Series 550 Classic camera is able to capture the highest possible quality image all year long, thanks to its integrated, long-life silicone wiper.

Model Differences

The table below identifies the differences between the models of MIC550 Classic and MIC550.

| | MIC550 Classic | MIC550 |
|---------------------------------------|----------------|--------|
| Feature | | |
| Number of Presets | 64 | 99 |
| Privacy Masking | No | Yes |
| Image Stabilization | No | Yes |
| On-screen compass, azimuth, elevation | No | Yes |
| IR models | No | Yes |

Functions

High-performance PTZ day/night cameras

Image control and quality are integral aspects of any PTZ camera, and the MIC Series 550 Classic camera delivers. The camera is available with a choice of 28X or the industry-leading 36X optical zoom lens, and offers a full 12X digital zoom. Both camera options provide 550 TVL of horizontal resolution for outstanding clarity and image detail. The cameras also incorporate technology that dramatically improves the dynamic range by 128 times. Also known as Wide Dynamic Range (WDR), it results in clear image reproduction in extreme high-contrast environments. The AutoScaling (proportional zoom) and AutoPivot (automatically rotates and flips the camera) features ensure optimal control.

Day/night capabilities and outstanding sensitivity make the MIC Series 550 Classic cameras exceptional performers in all lighting conditions. In low light, these cameras automatically switch from color to monochrome by removing the IR filter to boost sensitivity, while maintaining superior image quality. For operation in the darkest conditions, the SensUp

control feature automatically reduces the shutter speed to as little as one second. This increases sensitivity by more than 50 times.

In addition to low light applications, the camera is also an exceptional performer when viewing under a sodium vapor lamp (for example, a street lamp or tunnel lamp). Images under these conditions normally have a yellowish tint, so the MIC Series 550 Classic camera automatically compensates for the light from a sodium vapor lamp to restore objects to their original color.

With super-quick, 120°/60° per-second pan/tilt speeds, the MIC Series 550 Classic camera outperforms other cameras in its class. The camera supports 64 pre-positions and two styles of Guard Tours: Preset and Record/Playback. The preset tour has capability for up to 64 pre-positions with a configurable dwell time between pre-positions, and can be customized as to the order and frequency each preset is visited. The camera also provides support for two recorded tours, which have a combined duration of 15 minutes of movements. These are recorded macros of an operator’s movements, including pan, tilt, and zoom activities, and can be played back in a continuous manner.

Ease of installation and servicing

Bosch’s innovative software, the Configuration Tool for Imaging Devices (CTFID), allows technicians or operators to control the PTZ, change camera settings, and even update firmware from remote locations without need for additional wiring.

The MIC Series 550 Classic camera has advanced built-in diagnostics to simplify service and minimize downtime. Using the On Screen Display (OSD), a technician can quickly and easily check critical parameters (such as internal temperature) to verify that the camera is functioning within acceptable operating limits.

Applications:

- General CCTV
- ANPR systems
- Vandalism prone areas
- Extreme environments
- Rapid deployment
- High security
- Prestigious developments
- Broadcast
- Marine/coastal
- Architectural

Certifications and Approvals

| | |
|-------------------------------------|--|
| Electromagnetic Compatibility (EMC) | Complies with FCC Part 15, ICES-003, and CE regulations, including EN50130-4 and EN61000-3-2 & 3-3 and EN55022 |
| Product Safety | Complies with CE regulations, UL, EN, and IEC Standards 60950-1 & 22 |
| Ingress Protection Rating | IP68 (1m submersion for 24 hrs) |

Technical Specifications

Camera - 36x Day/Night

| | |
|---|--|
| Imager | 1/4 in.-type Exview HAD CCD (progressive scan) |
| Resolution / Effective Picture Elements | Approximately 440,000; 752(H) x 582(V) (PAL) |
| Lens | 36x Zoom (3.4 to 122.4 mm) F1.6 to F4.5 |
| Zoom Movement Speed | 4.0 seconds (optical Wide to optical TELE) 6.2 seconds (optical wide to digital TELE) |
| Focus | Automatic with manual override |
| Iris | Automatic with manual override |
| Field of View (FOV) | 1.7° to 57.8° |
| Video Output | 1.0 Vp-p, 75 Ohm |
| Gain Control | Auto/Manual/Max. (-3 dB to 28 dB, 2 dB steps) |
| Aperture Correction | Horizontal and vertical |
| Digital Zoom | 12x |
| Horizontal Resolution | 550 TVL (PAL) typical |

Sensitivity (typical) ¹

| | 30 IRE | 50 IRE |
|-----------------------------|--------------------------------|------------|
| Day Mode | | |
| SensUp Off | 0.66 lux | 1.4 lux |
| SensUp On (PAL 1/3s, 16.7X) | 0.04 lux | 0.1 lux |
| Night Mode | | |
| SensUp Off | 0.104 lux | 0.209 lux |
| SensUp On (PAL 1/3s, 16.7X) | 0.0052 lux | 0.0103 lux |
| Electronic Shutter Speed | 1/1 to 1/10,000 sec., 22 steps | |
| Signal-to-Noise Ratio (SNR) | >50 dB | |
| White Balance | 2000 K to 10,000 K | |

¹ Unless otherwise stated, test conditions are: F1.6; shutter = PAL 1/50s; max AGC

Camera - 28x Day/Night

| | |
|---|--|
| Imager | 1/4 in.-type Exview HAD CCD (progressive scan) |
| Resolution / Effective Picture Elements | Approximately 440,000; 752(H) x 582(V) (PAL) |
| Lens | 28x Zoom (3.5 to 98.0 mm) F1.35 to F3.7 |
| Zoom Movement Speed | 1.7 seconds (optical wide to optical TELE, optical wide to digital TELE) |
| Focus | Automatic with manual override |
| Iris | Automatic with manual override |
| Field of View (FOV) | 2.1° to 55.8° |
| Video Output | 1.0 Vp-p, 75 Ohm |
| Gain Control | Auto/Manual/Max. (-3 dB to 28 dB, 2 dB steps) |
| Aperture Correction | Horizontal and vertical |
| Digital Zoom | 12x |
| Horizontal Resolution | 550 TVL (PAL) typical |

Sensitivity (typical) ²

| | 30 IRE | 50 IRE |
|-----------------------------|--------------------------------|------------|
| Day Mode | | |
| SensUp Off | 0.33 lux | 0.66 lux |
| SensUp On (PAL 1/3s, 16.7X) | 0.02 lux | 0.04 lux |
| Night Mode | | |
| SensUp Off | 0.066 lux | 0.166 lux |
| SensUp On (PAL 1/3s, 16.7X) | 0.0026 lux | 0.0082 lux |
| Electronic Shutter Speed | 1/1 to 1/10,000 sec., 22 steps | |
| Signal-to-Noise Ratio (SNR) | >50 dB | |
| White Balance | 2000 K to 10,000 K | |

² Unless otherwise stated, test conditions are: F1.35, shutter = PAL 1/50s; max AGC

Mechanical

| | |
|--------------------|--|
| Drive Unit | Brushless, integral pan/tilt motor drive |
| Pan Range | 360° continuous rotation |
| Tilt Angle | 270° |
| Tilt Range | Upright unit: -58° - +90° Canted unit: -103° - +90° |
| Variable Speed | Pan: 0.2°/second - 120°/second Tilt: 0.2°/second - 60°/second |
| Pre-position Speed | 120°/second |
| Preset Accuracy | 0.17° (typical) |

| | |
|---------------------------------|-------|
| Proportional Pan / Tilt to Zoom | Yes |
| Audible Noise | <66dB |

Electrical

| | |
|---------------------|----------------|
| Input Voltage | 18 VAC nominal |
| Power Consumption | 18 W maximum |
| Current Consumption | 1 A maximum |

Miscellaneous

| | |
|--------------------------|---|
| Sectors / Titling | 16 independent sectors with 20 characters per title |
| Pre-positions | 64, each with 20 characters per title |
| Camera Setup / Control | RS-485, Bilinx (coax); also Bosch Biphas with converter (sold separately) |
| Communications Protocols | Bosch (Bilinx, OSRD), Pelco P/D, Forward Vision (Bosch OSRD requires use of converter device (MIC-BP3 or MIC-BP4), sold separately.) |
| Guard Tours | Two (2) types of tours: <ul style="list-style-type: none"> Recorded tours - two (2), total duration 15 minutes Preset tour - one (1), consisting of up to 64 scenes, consecutively and (1) customized up to 64 scenes |
| Washer Drive | Optional washer kit (MIC-WKT Kit used with the appropriate HAC-WAS washer pump) |

User Connections

| | |
|---------------------|--|
| Power | Via composite cable (sold separately) |
| RS-485 Biphas ± | RS-485 (Twisted pair; Simplex, half and full duplex operation via composite cable) Biphas ± (Optional; requires MIC Biphas module with external power supply.) |
| Video | Coaxial via composite cable (sold separately) |
| Alarm Inputs | One (1) tamper input (eight [8] additional inputs possible with optional alarm card) |
| Relay Out | Two (2) relay outputs and washer relay output only with optional alarm card |
| Alarm Communication | Tamper switch (ground connection) |

Environmental

| | |
|---------------------------|--|
| Ingress Protection Rating | IP68 |
| Operating Temperature | -40 °C to +60 °C (-40 °F to +140 °F) |
| Cold Start-up Temperature | -40 °C (-40 °F) (Requires 30-minute warm-up prior to PTZ operations) |
| Storage Temperature | -40 °C to +70 °C (-40 °F to +158 °F) |

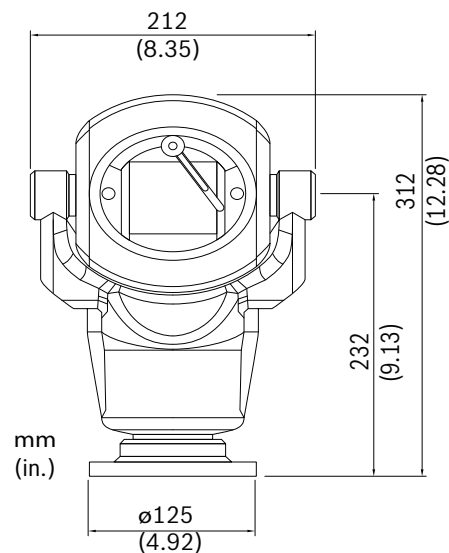
| | |
|-----------|---|
| Humidity | 0-100% |
| Wind Load | 209 km/h (130 mph) (sustained) (Gusts up to 290 km/h (180 mph)) Effective Projected Area (EPA): 0.044m ² (0.47 ft ²) |
| Vibration | IEC60068-2-6, Test Fc: Vibration (sinusoidal), 20m/s ² (2.0g) |
| Shock | IEC60068-2-7, Test Ea: Shock, 20g |

Construction

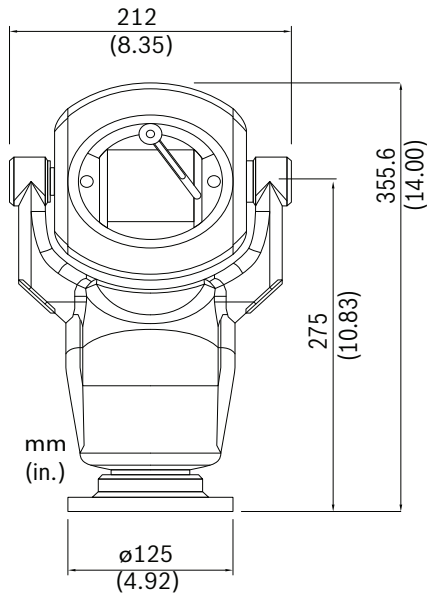
Dimensions (W x H x D)

| | |
|-----------------------|--|
| Upright and Inverted | 212 x 355 x 177 mm (8.35 x 14.0 x 7.0 in.) |
| Canted | 212 x 312 x 255 mm (8.35 x 12.3 x 10.0 in.) |
| Weight | 7 kg (15.43 lb) (including 4 in. pitch circle diameter (PCD) base) |
| Viewing Window | Tempered flat glass |
| Construction Material | Cast solid aluminum |
| Standard Colors | Black (RAL 9005), White (RAL 9010) |
| Standard Finish | Alodine 5200 surface treatment with powder coat paint, sand finish |
| Window Wiper | Standard, long-life silicone wiper |
| Canting | Twist-lock canting secured by two security screws |

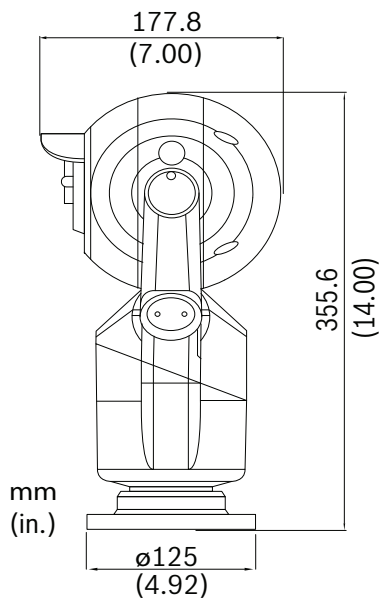
Dimensional Drawings



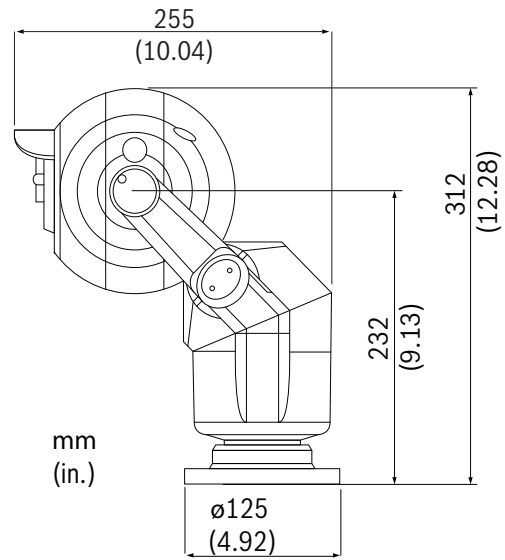
Front detail, 45° (canted)



Front Detail, 90° (upright)



Side Detail, 90° (upright)



Side detail, 45° (canted)

Ordering Information

MIC-550CLW28P

MIC550 Classic PTZ, Day/night camera, white, 28x, PAL

Order number **MIC-550CLW28P**

MIC-550CLW36P

MIC550 Classic PTZ, Day/night camera, white, 36x, PAL

Order number **MIC-550CLW36P**

MIC-550CLB28P

MIC550 Classic PTZ, Day/night camera, black, 28x, PAL

Order number **MIC-550CLB28P**

MIC-550CLB36P

MIC550 Classic PTZ, Day/night camera, black, 36x, PAL

Order number **MIC-550CLB36P**

Accessories

MIC-24PSU-2 MIC Power Supply Unit, 24VAC, 50/60 Hz

24 VAC, 50/60 Hz power supply with two video outputs for MIC Series cameras.

Order number **MIC-24PSU-2**

MIC-115PSU-2 MIC Power Supply Unit, 120VAC, 50/60 Hz

115 VAC, 50/60 Hz power supply with two video outputs for MIC Series cameras.

Order number **MIC-115PSU-2**

MIC-240PSU-2 MIC Power Supply Unit, 230 VAC, 50/60 HZ

230 VAC, 50/60 Hz power supply with two video outputs for MIC Series cameras.

Order number **MIC-240PSU-2**

MIC-2M-S Composite Cable

2 m composite cable with plug for power, data and video

Order number **MIC-2M**

MIC-10M-S Composite Cable

10 m composite cable with plug for power, data and video

Order number **MIC-10M**

MIC-20M-S Composite Cable

20 m composite cable with plug for power, data and video

Order number **MIC-20M**

MIC-25M-S Composite Cable

25 m composite cable with plug for power, data and video

Order number **MIC-25M**

MIC-CMB-BD Corner Mount Bracket, Black

Corner mount bracket, black sand finish (RAL9005)

Order number **MIC-CMB-BD**

MIC-CMB-WD Corner Mount Bracket, White

Corner mount bracket, white sand finish (RAL9010)

Order number **MIC-CMB-WD**

MIC-WMB-BD Wall Mount Bracket, Black

Wall mount bracket, black sand finish (RAL9005)

Order number **MIC-WMB-BD**

MIC-WMB-WD Wall Mount Bracket, White

Wall mount bracket, white sand finish (RAL9010)

Order number **MIC-WMB-WD**

MIC-PMB Pole Mount Bracket

Pole mount bracket (includes 2 x 455 mm stainless steel banding straps for pole diameters 75 to 145 mm)

Order number **MIC-PMB**

MIC-SPR-BD Spreader Plate, Black

Aluminum spreader plate suitable for brickwork surface mounting, black sand finish (RAL9005)

Order number **MIC-SPR-BD**

MIC-SPR-WD Spreader Plate, White

Aluminum spreader plate suitable for brickwork surface mounting, white sand finish (RAL9010)

Order number **MIC-SPR-WD**

MIC-DCA-BD Deep Conduit Adapter, Black

Deep conduit adapter for 4 in. PCD base, black sand finish (RAL9005)

Order number **MIC-DCA-BD**

MIC-DCA-WD Deep Conduit Adapter, White

Deep conduit adapter for 4 in. PCD base, white sand finish (RAL9010)

Order number **MIC-DCA-WD**

MIC-SCA-BD Shallow Conduit Adapter, Black

Shallow conduit adapter for a MIC-WMB, a MIC-PMB, or a MIC-SPR, black sand finish (RAL9005)

Order number **MIC-SCA-BD**

MIC-SCA-WD Shallow Conduit Adapter, White

Shallow conduit adapter for a MIC-WMB, a MIC-PMB, or a MIC-SPR mount, white sand finish (RAL9010)

Order number **MIC-SCA-WD**

MIC-BP3 Biphase Converter

Biphase converter for IR power supplies or non-IR power supplies without a free expansion slot available

Order number **MIC-BP3**

MIC-BP4 Biphase Converter

Biphase converter for non-IR versions of MIC series power supply units

Order number **MIC-BP4**

MIC-ALM Alarm and Washer Pump Drive Card

8 Input alarm and washer pump drive card for PSU (Not for IR PSU)

Order number **MIC-ALM**

MIC-WKT Washer Kit

Washer kit for non infrared MIC models (includes washer pump drive card, washer nozzle and mounting brackets for wall and 4 in. PCD base)

Order number **MIC-WKT**

HAC-WAS05-20 24 VAC Washer

24 VAC washer inst. 4M 25L

Order number **HAC-WAS05-20**

HAC-WAS30-50 230 VAC Washer

230 VAC washer inst. 30M 25L

Order number **HAC-WAS30-50**

VP-USB Cable

USB to BNC adaptor

Order number **VP-USB**

Represented by:

Americas:

Bosch Security Systems, Inc.
130 Perinton Parkway
Fairport, New York, 14450, USA
Phone: +1 800 289 0096
Fax: +1 585 223 9180
security.sales@us.bosch.com
www.boschsecurity.us

Europe, Middle East, Africa:

Bosch Security Systems B.V.
P.O. Box 80002
5617 BA Eindhoven, The Netherlands
Phone: + 31 40 2577 284
Fax: +31 40 2577 330
emea.securitysystems@bosch.com
www.boschsecurity.com

Asia-Pacific:

Robert Bosch (SEA) Pte Ltd, Security
Systems
11 Bishan Street 21
Singapore 573943
Phone: +65 6571 2808
Fax: +65 6571 2699
apr.securitysystems@bosch.com
www.boschsecurity.asia

China:

Bosch (Shanghai) Security Systems Ltd.
201 Building, No. 333 Fuquan Road
North IBP
Changning District, Shanghai
200335 China
Phone +86 21 22181111
Fax: +86 21 22182398
www.boschsecurity.com.cn

America Latina:

Robert Bosch Ltda Security Systems Division
Via Anhanguera, Km 98
CEP 13065-900
Campinas, Sao Paulo, Brazil
Phone: +55 19 2103 2860
Fax: +55 19 2103 2862
al.securitysystems@bosch.com
www.boschsecurity.com