


BOSCH

Invented for life

MIC Series 500 Classic



- ▶ **Rated to an industry leading IP68**
- ▶ **Multiple camera programming through Cam-set software**
- ▶ **Many mounting and viewing options**
- ▶ **Easy set-up and configuration through the powerful on-screen display**
- ▶ **Multi-protocol operation**
- ▶ **On-site canting ability**
- ▶ **Ultra long life silicone wiper**

The MIC Series 500 Classic combines cutting-edge technology with the latest production techniques to provide a class-leading feature set in an economical package. The MIC Series 500 Classic range takes high quality surveillance to new levels of excellence.

As a best-fit camera for virtually any security application, it can be installed in the harshest of environments. Thanks to its IP68-rated aluminum casing, the MIC Series 500 Classic functions perfectly in the most demanding conditions. This tough casing provides protection from the elements and physical attack. Coupled with an optically perfect flat viewing window, integrated long life silicone wiper and a reversible rain shield, ensures high quality images regardless of the installed environment.

The brushless-motor technology offers ultra-reliable, whisper-quiet operation with full 360° continuous rotation pan and 267° tilt control for exceptional viewing capability. Small increment pan/tilt speeds from just 0.2° per second to 120° per second gives the user precise control. This speed control is especially important when used with video analytic systems, particularly for tracking subjects when fully zoomed in.

On-screen menus allow camera set-up from the control room via a remote keyboard. The MIC Series 500 Classic is compatible with all leading control systems and has a wide choice of protocols available.

A choice of true day/night camera modules offering up to 36x optical zoom (12x digital) are available, providing 540 TV lines (PAL). Preset positions, preset tours and random tours ensure flexible surveillance options.

The MIC Series 500 Classic features twist-lock canting functionality. This allows the camera to be securely canted on-site at 45° for pole mount applications allowing the base of the pole to be viewed. The sheer flexibility of mounting options allows the camera to be installed upright, inverted or canted to achieve the perfect field of view.

Functions

Rated to an industry leading IP68

With no dust ingress and the ability to withstand sustained periods of immersion under water, the MIC Series 500 Classic is perfectly suited for installation in even the most unforgiving environments.

Brushless motor technology

Ultra-reliable brushless motors provide whisper-quiet operation and smooth control.

Host of mounting and viewing options

Faultless operation in upright, inverted or canted positions gives the user a host of mounting and viewing possibilities. The twist-lock canting feature allows the MIC Series 500 Classic to be canted to 45° on site. This allows, for example, the base of the pole to be viewed in upright pole-mounted applications.

Easy set-up

Camera settings can be adjusted via the on-screen menu from a control room via a remote keyboard.

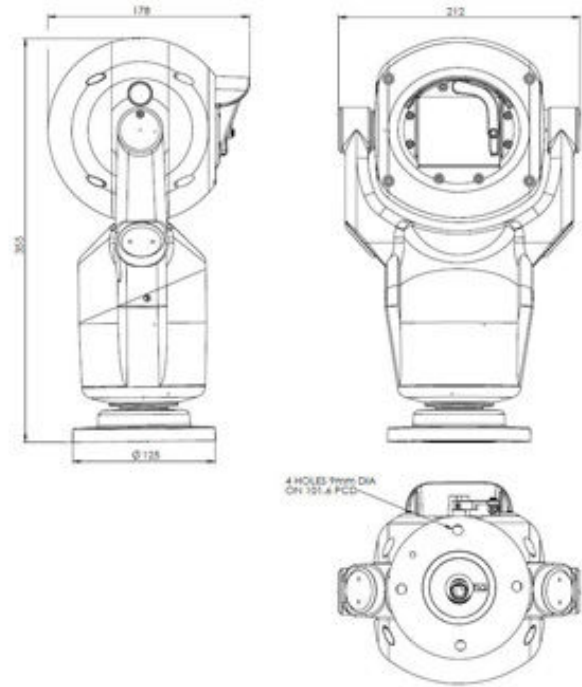
Multi-protocol operation

Compatible with virtually any control equipment available today, the MIC Series 500 Classic range seamlessly integrates with the vast majority of security systems.

Applications:

- General CCTV
- Town centers
- ANPR systems
- Vandalism prone areas
- Extreme environments
- Rapid deployment
- High security
- Prestigious developments
- Broadcast
- Marine/costal
- Architectural

Installation/Configuration Notes



MIC Series 500 Classic Dimensional Drawing

Certifications and Approvals

Electromagnetic Compatibility (EMC)	Complies with FCC Part 15, ICES-003, and CE regulations, including EN50130-4 and EN61000-3-2 & 3-3 and EN55022
Product Safety	Complies with CE regulations, UL, EN, and IEC Standards 60950-1 & 22
Weatherproofing	IP68

Technical Specifications

Camera Module

Image Sensor	1/4 in. Exview CCD (WDR)
Horizontal Resolution	540 TVL PAL (wide)
Filter	Automatic mechanical IR cut filter
Focus System	Auto or manual
Iris	Auto or manual with slow shutter integration modes
Synchronization	Internal / External (V-Lock)
Signal to Noise Ratio	50 dB or more
Back Light Compensation (BLC)	On/Off
White Balance	Automatic
Automatic Gain Control (AGC)	-3 to -28 dB, -2 dB steps
Aperture Control	16 Steps

18x Optical Zoom Module

Lens	F=4.1 mm (wide) to 73.8 mm (tele), F1.4 to F3.0
Zoom	18x optical (12x digital)
Angle of View	48° (wide) to 2.8° (tele)
Minimum Illumination	1/60 s mode, 0.7 lx (typical) (F1.4, 50 IRE) 1/4 s mode, 0.07 lx (typical) (F1.4, 50 IRE)
Shutter Speed	1/4 to 1/10,000 s (20 steps) PAL

36x Optical Zoom Module

Lens	F=3.4 mm (wide) to 122.4 mm (tele), F1.6 to F4.5
Zoom	36x optical (12x digital)
Angle of View	57.8° (wide) to 1.7° (tele)
Minimum Illumination	1/60 s mode: 1.4 lx (typical) (F1.6, 50 IRE) 1/4 s mode: 0.1 lx (typical) (F1.6, 50 IRE)
Shutter Speed	1/3 to 1/10,000 s (20 steps) PAL

Operational

Auto Flip	Yes
Manual Flip	Yes
E-flip	Yes, E-flip enables the camera module to invert the image
Presets	64 telemetry presets accurate to 0.08° utilizing resolver technology using the on-screen menu or via cam-set, Up to 10 camera module presets (Sony sets) to allow ANPR, color correction etc.
Preset Tours	Four (4) tours each with up to 32 presets
Pattern Tours	Two (2) tours
Sector Titles	64 sectors, 20 characters per title
Preset Titles	20-character caption for each of the 64 presets
Home Position	Preset 1 or tour
On-screen Menu	Most camera functions can be accessed through the on screen menu

Communication and Protocols

Communication	RS485 / RS422
Control Protocol	FV and Bosch protocols pre-installed. Twin protocol packs including FV/Pelco, FV/VCL, FV/American Dynamics and FV/Kalatel can be loaded using the MIC Universal Camera Setup Software Utility (Cam-set)

Connectivity

MIC Universal Camera Setup Software Utility (Cam-set)	Supplied free with each camera, cam-set allows direct connection to a USB equipped PC via the MIC Series PSU or over a full duplex or IP network to provide access to all camera functions and useful diagnostic tools
Video	Coaxial via composite cable
Telemetry	Twisted pair. Simplex, half and full duplex operation via composite cable
Power	Via composite cable

Alarms

Alarm Inputs	One (1) tamper input (additional inputs possible with optional alarm card)
Alarm Communication	Tamper switch (ground connection)

Mechanical

Drive Unit	Brushless, integral pan/tilt motor drive
Pan Angle	360° continuous rotation
Pan Speed	Up to 120° per second (variable)
Tilt Angle	267°
Tilt Speed	0.2° to 80° per second (variable)
Speed Control	Closed loop electronics
Preset Accuracy	Better than 0.08°
Proportional Pan/Tilt to Zoom	Yes

Construction

Construction Material	Cast solid aluminum with anti-corrosion pre-treatment
Viewing Window	Tempered flat glass
Standard Colors	Black (RAL9005) or white (RAL9010)
Standard Finish	Powder coated, sand finish

Dimensions (WxHxD)

• Upright and Inverted	212 x 355 x 177 mm (8.35 x 13.98 x 6.97 in.)
• Canted	212 x 312 x 255 mm (8.35 x 12.28 x 10.0 in.)
Weight	7 kg (15.43 lb) including 4 in. pitch circle diameter (PCD) base
Canting	Twist Lock canting secured by two security screws

Environmental

Operating Temperature	-20 °C to +60 °C (-4 °F to +140 °F)
Weatherproofing	IP68

Electrical

Input Voltage	18 VAC
Power Consumption	25 W max. without heater

Options

Camera Module	18x camera module or 36x camera module
Camera Color System	PAL
Telemetry Control Card	Built-in
Window Wiper	Standard
Washer Drive	Optional washer kit (MIC-WKT Kit with washer pump drive)
Alarm Card	Optional, 8-input with washer pump drive function, fits in MIC Series power supply
Biphase Converter	Optional, fits in MIC Series power supply expansion slot (BP-4)

Ordering Information

MIC500ALBUR14618P MIC Series 500 Classic 18x PAL Camera with Integrated Wiper, Black 18x, PAL, PTZ camera, black, with an integrated wiper	MIC500ALBUR14618P
MIC500ALBUR14636P MIC Series 500 Classic 36x PAL Camera with Integrated Wiper, Black 36x, PAL, PTZ camera, black, with an integrated wiper	MIC500ALBUR14636P
MIC500ALWUR14618P MIC Series 500 Classic 18x PAL Camera with Integrated Wiper, White 18x, PAL, PTZ camera, white, with an integrated wiper	MIC500ALWUR14618P
MIC500ALWUR14636P MIC Series 500 Classic 36x PAL Camera with Integrated Wiper, White 36x, PAL, PTZ camera, white, with an integrated wiper	MIC500ALWUR14636P
Accessories	
MIC-24PSU-UL 24 VAC Camera Power Supply 24 VAC, 50/60 Hz power supply for MIC Series cameras	MIC-24PSU-UL
MIC-115PSU-UL 115 VAC Camera Power Supply 115 VAC, 60 Hz power supply for MIC Series cameras	MIC-115PSU-UL
MIC-240PSU-UL 240 VAC Camera Power Supply 240 VAC, 50 Hz power supply for MIC Series cameras	MIC-240PSU-UL
MIC-ALM Alarm and Washer Pump Drive Card 8 Input alarm and washer pump drive card for PSU (Not for IR PSU)	MIC-ALM
MIC-BP4 Bi-phase Converter Bi-Phase converter for non-IR versions of MIC series power supply units	MIC-BP4

Ordering Information

MIC-USB485CVTR USB to RS485 Signal Converter USB to RS485 signal converter to allow MIC Series cameras to connect to a PC, supplied with each camera	MIC-USB485CVTR
MIC-501KBD Keyboard Controller Keyboard controller with 3-axis joystick for 1 camera (FV PROTOCOL ONLY)	MIC-501KBD
MIC-516KBD Keyboard Controller Keyboard controller with 3-axis joystick for 1 to 16 cameras (FV PROTOCOL ONLY)	MIC-516KBD
MIC-WKT Washer Kit Washer kit for non infrared MIC models (includes washer pump drive card, washer nozzle and mounting brackets for wall and 4 in. PCD base)	MIC-WKT
HAC-WAS05-20 24 VAC Washer 24 VAC washer inst. 5M 25L	HAC-WAS05-20
UPA-2420-50 Power Supply 220 VAC, 50 Hz, 24 VAC, 20 VA Out	UPA-2420-50
UPA-2450-60 Power Supply 120 VAC, 60 Hz, 24 VAC, 50 VA Out	UPA-2450-60
MIC-DCA-WD Deep Conduit Adapter Deep conduit adapter for 4 in. PCD base - white sand finish, RAL9010	MIC-DCA-WD
MIC-DCA-BD Deep Conduit Adapter Deep conduit adapter for 4 in. PCD base - black sand finish, RAL9005	MIC-DCA-BD
MIC-SCA-WD Shallow Conduit Adaptor Adapter for a MIC-WMB, a MIC-PMB, or a MIC-SPR mount, white sand finish, RAL9010	MIC-SCA-WD
MIC-SCA-BD Shallow Conduit Adapter Adapter for a MIC-WMB, a MIC-PMB, or a MIC-SPR mount, black sand finish, RAL9005	MIC-SCA-BD
MIC-SPR-WD Spreader Plate Aluminum spreader plate suitable for brick-work surface mounting – white sand finish RAL9010	MIC-SPR-WD
MIC-SPR-BD Spreader Plate Aluminum spreader plate suitable for brick-work surface mounting – black sand finish RAL9005	MIC-SPR-BD
MIC-CMB-WD Corner Mount Bracket Corner mount bracket - white sand finish RAL9010	MIC-CMB-WD
MIC-CMB-BD Corner Mount Bracket Corner mount bracket - black sand finish RAL9005	MIC-CMB-BD
MIC-WMB-WD Wall Mount Bracket Wall mount bracket - white sand finish RAL9010	MIC-WMB-WD
MIC-WMB-BD Wall Mount Bracket Wall mount bracket - black sand finish RAL9005	MIC-WMB-BD

Ordering Information

<p>MIC-PMB Pole Mount Bracket Pole mount bracket (includes 2 x 455 mm banding ties for pole diameters 75 to 145 mm)</p>	<p>MIC-PMB</p>
<p>MIC-2M-S 2 m Shielded Composite Cable Shielded Composite 2 m cable that provides power, telemetry and video connection from a MIC Series camera to a MIC Series power supply</p>	<p>MIC-2M-S</p>
<p>MIC-10M-S 10 m Shielded Composite Cable Shielded Composite 10 m cable that provides power, telemetry and video connection from a MIC Series camera to a MIC Series power supply</p>	<p>MIC-10M-S</p>
<p>MIC-20M-S 20 m Shielded Composite Cable Shielded Composite 20 m cable that provides power, telemetry and video connection from a MIC Series camera to a MIC Series power supply</p>	<p>MIC-20M-S</p>
<p>MIC-25M-S 25 m Shielded Composite Cable Shielded Composite 25 m cable that provides power, telemetry and video connection from a MIC Series camera to a MIC Series power supply</p>	<p>MIC-25M-S</p>

Americas:
Bosch Security Systems, Inc.
130 Perinton Parkway
Fairport, New York, 14450, USA
Phone: +1 800 289 0096
Fax: +1 585 223 9180
security.sales@us.bosch.com
www.boschsecurity.us

Europe, Middle East, Africa:
Bosch Security Systems B.V.
P.O. Box 80002
5600 JB Eindhoven, The Netherlands
Phone: + 31 40 2577 284
Fax: +31 40 2577 330
emea.securitysystems@bosch.com
www.boschsecurity.com

Asia-Pacific:
Robert Bosch (SEA) Pte Ltd, Security Systems
11 Bishan Street 21
Singapore 573943
Phone: +65 6258 5511
Fax: +65 6571 2698
apr.securitysystems@bosch.com
www.boschsecurity.com

Represented by