



## MIC Series 500 Classic



- ▶ **Rated to an industry leading IP68**
- ▶ **Multiple camera programming through Camset software**
- ▶ **Many mounting and viewing options**
- ▶ **Easy set-up and configuration through the powerful on-screen display**
- ▶ **Multi-protocol operation**
- ▶ **On-site canting ability**
- ▶ **Ultra long life silicone wiper**

The MIC Series 500 Classic combines cutting-edge technology with the latest production techniques to provide a class-leading feature set in an economical package. The MIC Series 500 Classic range takes high quality surveillance to new levels of excellence.

As a best-fit camera for virtually any security application, it can be installed in the harshest of environments. Thanks to its IP68-rated aluminum casing, the MIC Series 500 Classic functions perfectly in the most demanding conditions. This tough casing provides protection from the elements and physical attack. Coupled with an optically perfect, flat viewing window, integrated long life silicone wiper and a reversible rain shield, ensures high quality images regardless of the installed environment.

The brushless-motor technology offers ultra-reliable, whisper-quiet operation with full 360° continuous rotation pan and 267° tilt control for exceptional viewing capability. Small increment pan/tilt speeds from just 0.2° per second to 120° per second gives the user precise control. This speed control is especially important when used with video analytic systems, particularly for tracking subjects when fully zoomed in.

On-screen menus allow camera set-up from the control room via a remote keyboard. The MIC Series 500 Classic is compatible with all leading control systems and has a wide choice of protocols available.

A choice of true day/night camera modules offering up to 36x optical zoom (12x digital) are available, providing 540 TV lines (PAL). Preset positions, preset tours and random tours ensure flexible surveillance options.

The MIC Series 500 Classic features a twist-lock canting function. This allows the camera to be securely canted on-site at 45° for pole mount applications allowing the base of the pole to be viewed. The sheer flexibility of mounting options allows the camera to be installed upright, inverted or canted to achieve the perfect field of view.

### Functions

#### **Rated to an industry leading IP68**

With no dust ingress and the ability to withstand sustained periods of immersion under water, the MIC Series 500 Classic is perfectly suited for installation in even the most unforgiving environments.

#### **Brushless motor technology**

Ultra-reliable brushless motors provide whisper-quiet operation and smooth control.

**Host of mounting and viewing options**

Faultless operation in upright, inverted or canted positions gives the user a host of mounting and viewing possibilities. The twist-lock canting feature allows the MIC Series 500 Classic to be canted to 45° on site. This allows, for example, the base of the pole to be viewed in upright pole-mounted applications.

**Easy set-up**

Camera settings can be adjusted via the on-screen menu from a control room via a remote keyboard.

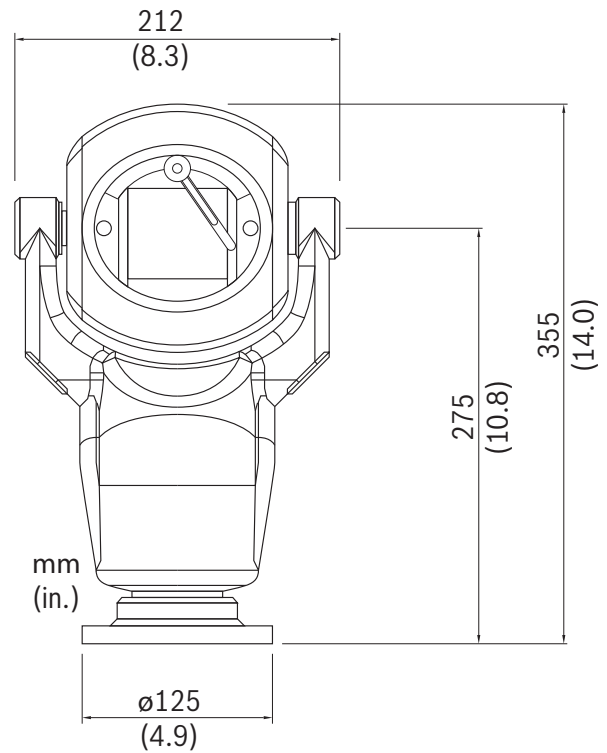
**Multi-protocol operation**

Compatible with virtually any control equipment available today, the MIC Series 500 Classic range seamlessly integrates with the vast majority of security systems.

**Applications:**

- General CCTV
- Town centers
- ANPR systems
- Vandalism prone areas
- Extreme environments
- Rapid deployment
- High security
- Prestigious developments
- Broadcast
- Marine/costal
- Architectural

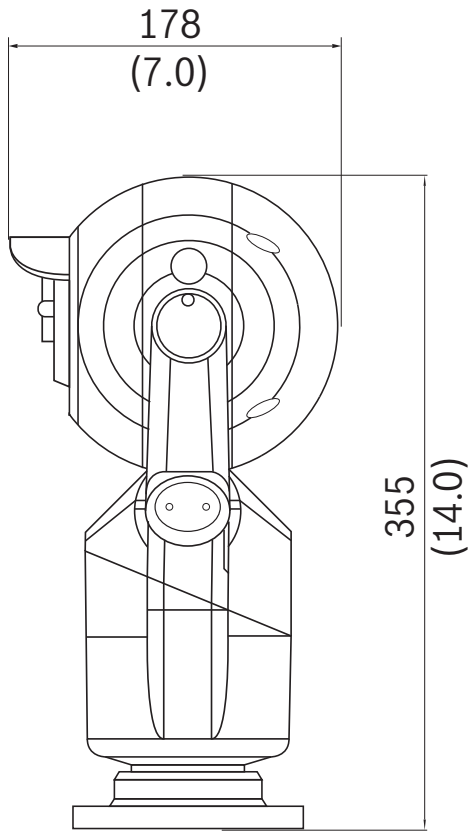
**Installation/Configuration Notes**



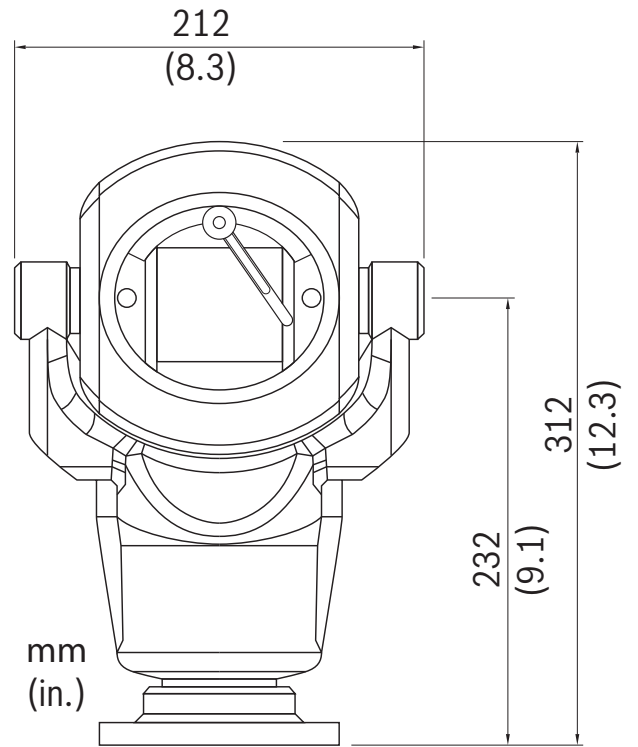
Front Detail, 90° (straight)

**Certifications and Approvals**

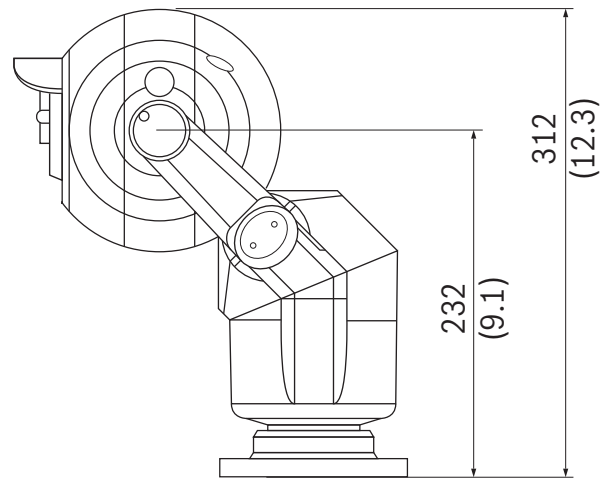
Region	Certification	
Europe	CE	2004/108/EC, 2006/95/EC
Global	IP Rating	
USA	UL	UL 60950-1, 2nd Edition:2007
	FCC	CFR 47 FCC part 15:2009, Class B
Canada	CSA	CAN/CSA-C22.2 No. 60950-1-07
Electromagnetic Compatibility (EMC)	Complies with FCC Part 15, ICES-003, and CE regulations, including EN50130-4 and EN61000-3-2 & 3-3 and EN55022	
Product Safety	Complies with CE regulations, UL, EN, and IEC Standards 60950-1 & 22	
Weatherproofing	IP68	



Side Detail, 90° (straight)



Front Detail, 45° (canted)



Side Detail, 45° (canted)

## Technical Specifications

### Camera Module

Image Sensor	1/4 in. Exview CCD (WDR)
Horizontal Resolution	540 TVL PAL (wide)
Filter	Automatic mechanical IR cut filter
Focus System	Auto or manual
Iris	Auto or manual with slow shutter integration modes
Synchronization	Internal / External (V-Lock)
Signal to Noise Ratio	50 dB or more

Back Light Compensation (BLC)	On/Off
White Balance	Automatic
Automatic Gain Control (AGC)	-3 to -28 dB, -2 dB steps
Aperture Control	16 Steps

### 18x Optical Zoom Module

Lens	F=4.1 mm (wide) to 73.8 mm (tele), F1.4 to F3.0
Zoom	18x optical (12x digital)
Angle of View	48° (wide) to 2.8° (tele)
Minimum Illumination	1/60 s mode, 0.7 lx (typical) (F1.4, 50 IRE) 1/4 s mode, 0.07 lx (typical) (F1.4, 50 IRE)
Shutter Speed	1/3 to 1/10,000 s (20 steps) PAL

### 36x Optical Zoom Module

Lens	F=3.4 mm (wide) to 122.4 mm (tele), F1.6 to F4.5
Zoom	36x optical (12x digital)
Angle of View	57.8° (wide) to 1.7° (tele)
Minimum Illumination	1/60 s mode: 1.4 lx (typical) (F1.6, 50 IRE) 1/4 s mode: 0.1 lx (typical) (F1.6, 50 IRE)
Shutter Speed	1/3 to 1/10,000 s (20 steps) PAL

### Operational

Auto Flip	Yes
Manual Flip	Yes
E-flip	Yes, E-flip enables the camera module to invert the image
Presets	64 telemetry presets accurate to 0.08° utilizing resolver technology using the on-screen menu or via Camset, Up to 10 camera module presets (Sony sets) to allow ANPR, color correction etc.
Preset Tours	Four (4) tours each with up to 32 presets
Pattern Tours	Two (2) tours
Sector Titles	64 sectors, 20 characters per title
Preset Titles	20-character caption for each of the 64 presets

Home Position	Preset 1 or tour
On-screen Menu	Most camera functions can be accessed through the on screen menu

### Communication and Protocols

Communication	RS485 / RS422
Control Protocol	FV and Bosch protocols pre-installed. Twin protocol packs including FV/Pelco, FV/VCL, FV/American Dynamics and FV/Kalatel can be loaded using the MIC Universal Camera Setup Software Utility (Camset)

### Connectivity

MIC Universal Camera Setup Software Utility (Camset)	Supplied free with each camera. Camset allows direct connection to a USB equipped PC via the MIC Series PSU or over a full duplex or IP network to provide access to all camera functions and useful diagnostic tools
--	---

Video	Coaxial via composite cable
Telemetry	Twisted pair. Simplex, half and full duplex operation via composite cable

Power	Via composite cable
-------	---------------------

### Alarms

Alarm Inputs	One (1) tamper input (additional inputs possible with optional alarm card)
Alarm Communication	Tamper switch (ground connection)

### Mechanical

Drive Unit	Brushless, integral pan/tilt motor drive
Pan Angle	360° continuous rotation
Pan Speed	Up to 120° per second (variable)
Tilt Angle	267°
Tilt Speed	0.2° to 80° per second (variable)
Speed Control	Closed loop electronics
Preset Accuracy	Better than 0.08°
Proportional Pan/Tilt to Zoom	Yes

### Construction

Construction Material	Cast solid aluminum with anti-corrosion pre-treatment
Viewing Window	Tempered flat glass
Standard Colors	Black (RAL9005) or white (RAL9010)
Standard Finish	Powder coated, sand finish

### Dimensions (WxHxD)

• Upright and Inverted	212 x 355 x 177 mm (8.35 x 13.98 x 6.97 in.)
• Canted	212 x 312 x 255 mm (8.35 x 12.28 x 10.0 in.)
Weight	7 kg (15.43 lb) including 4 in. pitch circle diameter (PCD) base
Canting	Twist Lock canting secured by two security screws

**Environmental**

Operating Temperature -20 °C to +60 °C (-4 °F to +140 °F)

Weatherproofing IP68

**Electrical**

Input Voltage 18 VAC

Power Consumption 25 W max.

**Options**

Camera Module 18x camera module or 36x camera module

Camera Color System PAL

Telemetry Control Card Built-in

Window Wiper Standard

Washer Drive Optional washer kit (MIC-WKT Kit with washer pump drive)

Alarm Card Optional, 8-input with washer pump drive function, fits in MIC Series power supply

Biphase Converter Optional, fits in MIC Series power supply expansion slot (BP-4)

**Ordering Information**

<b>MIC500ALBUR14618P MIC Series 500 Classic 18x PAL Camera with Integrated Wiper, Black</b> 18x, PAL, PTZ camera, black, with an integrated wiper	<b>MIC500ALBUR14618P</b>
<b>MIC500ALBUR14636P MIC Series 500 Classic 36x PAL Camera with Integrated Wiper, Black</b> 36x, PAL, PTZ camera, black, with an integrated wiper	<b>MIC500ALBUR14636P</b>
<b>MIC500ALBUR14618P MIC Series 500 Classic 18x PAL Camera with Integrated Wiper, White</b> 18x, PAL, PTZ camera, white, with an integrated wiper	<b>MIC500ALBUR14618P</b>
<b>MIC500ALBUR14636P MIC Series 500 Classic 36x PAL Camera with Integrated Wiper, White</b> 36x, PAL, PTZ camera, white, with an integrated wiper	<b>MIC500ALBUR14636P</b>

**Ordering Information****Accessories**

<b>MIC-24PSU-UL 24 VAC Camera Power Supply</b> 24 VAC, 50/60 Hz power supply for MIC Series cameras	<b>MIC-24PSU-UL</b>
<b>MIC-115PSU-UL 115 VAC Camera Power Supply</b> 115 VAC, 60 Hz power supply for MIC Series cameras	<b>MIC-115PSU-UL</b>
<b>MIC-240PSU-UL 240 VAC Camera Power Supply</b> 240 VAC, 50 Hz power supply for MIC Series cameras	<b>MIC-240PSU-UL</b>
<b>MIC-ALM Alarm and Washer Pump Drive Card</b> 8 Input alarm and washer pump drive card for PSU (Not for IR PSU)	<b>MIC-ALM</b>
<b>MIC-BP4 Biphase Converter</b> BiPhase converter for non-IR versions of MIC series power supply units	<b>MIC-BP4</b>
<b>MICUSB485CVTR2 USB to RS485 Signal Converter</b> USB to RS485 signal converter to allow MIC Series cameras to connect to a PC, supplied with each camera	<b>MICUSB485CVTR2</b>
<b>MIC-501KBD Keyboard Controller</b> Keyboard controller with 3-axis joystick for 1 camera (FV PROTOCOL ONLY)	<b>MIC-501KBD</b>
<b>MIC-516KBD Keyboard Controller</b> Keyboard controller with 3-axis joystick for 1 to 16 cameras (FV PROTOCOL ONLY)	<b>MIC-516KBD</b>
<b>MIC-WKT Washer Kit</b> Washer kit for non infrared MIC models (includes washer pump drive card, washer nozzle and mounting brackets for wall and 4 in. PCD base)	<b>MIC-WKT</b>
<b>HAC-WAS05-20 24 VAC Washer</b> 24 VAC washer inst. 5M 25L	<b>HAC-WAS05-20</b>
<b>HAC-WAS05-50 230 VAC Washer</b> 230 VAC washer inst. 5M 25L	<b>HAC-WAS05-50</b>
<b>HAC-WAS30-50 230 VAC Washer</b> 230 VAC washer inst. 30M 25L	<b>HAC-WAS30-50</b>
<b>MIC-DCA-WD Deep Conduit Adapter</b> Deep conduit adapter for 4 in. PCD base - white sand finish, RAL9010	<b>MIC-DCA-WD</b>
<b>MIC-DCA-BD Deep Conduit Adapter</b> Deep conduit adapter for 4 in. PCD base - black sand finish, RAL9005	<b>MIC-DCA-BD</b>
<b>MIC-SCA-WD Shallow Conduit Adapter</b> Adapter for a MIC-WMB, a MIC-PMB, or a MIC-SPR mount, white sand finish, RAL9010	<b>MIC-SCA-WD</b>
<b>MIC-SCA-BD Shallow Conduit Adapter</b> Adapter for a MIC-WMB, a MIC-PMB, or a MIC-SPR mount, black sand finish, RAL9005	<b>MIC-SCA-BD</b>

**Ordering Information**

<b>MIC-SPR-WD Spreader Plate</b> Aluminum spreader plate suitable for brick-work surface mounting – white sand finish RAL9010	<b>MIC-SPR-WD</b>
<b>MIC-SPR-BD Spreader Plate</b> Aluminum spreader plate suitable for brick-work surface mounting – black sand finish RAL9005	<b>MIC-SPR-BD</b>
<b>MIC-CMB-WD Corner Mount Bracke</b> Corner mount bracket - white sand finish RAL9010	<b>MIC-CMB-WD</b>
<b>MIC-CMB-BD Corner Mount Bracke</b> Corner mount bracket - black sand finish RAL9005	<b>MIC-CMB-BD</b>
<b>MIC-WMB-WD Wall Mount Bracket</b> Wall mount bracket - white sand finish RAL9010	<b>MIC-WMB-WD</b>
<b>MIC-WMB-BD Wall Mount Bracket</b> Wall mount bracket - black sand finish RAL9005	<b>MIC-WMB-BD</b>
<b>MIC-PMB Pole Mount Bracket</b> Pole mount bracket (includes 2 x 455 mm banding ties for pole diameters 75 to 145 mm)	<b>MIC-PMB</b>
<b>MIC-2M-S 2 m Shielded Composite Cable</b> Shielded Composite 2 m cable that provides power, telemetry and video connection from a MIC Series camera to a MIC Series power supply	<b>MIC-2M-S</b>
<b>MIC-10M-S 10 m Shielded Composite Cable</b> Shielded Composite 10 m cable that provides power, telemetry and video connection from a MIC Series camera to a MIC Series power supply	<b>MIC-10M-S</b>
<b>MIC-20M-S 20 m Shielded Composite Cable</b> Shielded Composite 20 m cable that provides power, telemetry and video connection from a MIC Series camera to a MIC Series power supply	<b>MIC-20M-S</b>
<b>MIC-25M-S 25 m Shielded Composite Cable</b> Shielded Composite 25 m cable that provides power, telemetry and video connection from a MIC Series camera to a MIC Series power supply	<b>MIC-25M-S</b>

**Americas:**  
Bosch Security Systems, Inc.  
130 Perinton Parkway  
Fairport, New York, 14450, USA  
Phone: +1 800 289 0096  
Fax: +1 585 223 9180  
security.sales@us.bosch.com  
www.boschsecurity.us

**Europe, Middle East, Africa:**  
Bosch Security Systems B.V.  
P.O. Box 80002  
5600 JB Eindhoven, The Netherlands  
Phone: +31 40 2577 284  
Fax: +31 40 2577 330  
emea.securitysystems@bosch.com  
www.boschsecurity.com

**Asia-Pacific:**  
Robert Bosch (SEA) Pte Ltd, Security Systems  
11 Bishan Street 21  
Singapore 573943  
Phone: +65 6258 5511  
Fax: +65 6571 2698  
apr.securitysystems@bosch.com  
www.boschsecurity.com