



# MIC Series 500 Professional



- ▶ **Rated to an industry leading IP68**
- ▶ **Multiple camera programming through Camset software**
- ▶ **Many mounting and viewing options**
- ▶ **Easy set-up and configuration through the powerful on-screen display**
- ▶ **Multi-protocol operation**
- ▶ **On-site canting ability**
- ▶ **Ultra long-life silicone wiper**
- ▶ **Powerful privacy masking allowing over 900 separate masked zones**

The MIC Series 500 Professional combines cutting-edge technology with the latest production techniques to provide a class-leading feature set in an economical package. The MIC Series 500 Professional range takes high quality surveillance to new levels of excellence.

As a best-fit camera for virtually any security application, it can be installed in the harshest of environments. Thanks to its IP68-rated aluminum casing, the MIC Series 500 Professional functions perfectly in the most demanding conditions. This tough casing provides protection from the elements and physical attack. Coupled with an optically perfect flat viewing window, integrated long life silicone wiper and a reversible rain shield, ensures high quality images regardless of the installed environment.

The brushless-motor technology offers ultra-reliable, whisper-quiet operation with full 360° continuous rotation pan and 267° tilt control for exceptional viewing capability. Small increment pan/tilt speeds from just 0.2° per second to 120° per second gives the user precise control. This speed control is especially important when used with video analytic systems, particularly for tracking subjects when fully zoomed in.

On-screen menus allow camera set-up from the control room via a remote keyboard. The MIC Series 500 Professional is compatible with all leading control systems and has a wide choice of protocols available.

A choice of true day/night camera modules offering up to 36x optical zoom (12x digital) are available, providing 540 TV lines (PAL) or 520 TV lines (NTSC). Preset positions, preset tours and random tours ensure flexible surveillance options.

The integrated privacy card provides over 900 individual privacy masks, with a choice of mask styles, for use in high density residential applications. Each mask changes size smoothly and quickly to ensure the covered target cannot be seen.

The MIC Series 500 Professional features twist-lock canting functionality. This allows the camera to be securely canted on-site at 45° for pole mount applications allowing the base of the pole to be viewed. The sheer flexibility of mounting options allows the camera to be installed upright, inverted or canted to achieve the perfect field of view.

## Functions

### Rated to an industry leading IP68

With no dust ingress and the ability to withstand sustained periods of immersion under water, the MIC Series 500 Professional is perfectly suited for installation in even the most unforgiving environments.

**Brushless motor technology**

Ultra-reliable brushless motors provide whisper-quiet operation and smooth control.

**Host of mounting and viewing options**

Faultless operation in upright, inverted or canted positions gives the user a host of mounting and viewing possibilities. The twist-lock canting feature allows the MIC Series 500 Professional to be canted to 45° on site. This allows, for example, the base of the pole to be viewed in upright pole-mounted applications.

**Sophisticated privacy masking**

The integrated privacy card allows for over 900 individual privacy masks, with a choice of mask styles, to be programmed.

**Easy set-up**

Camera settings can be adjusted via the on-screen menu from a control room via a remote keyboard.

**Multi-protocol operation**

Compatible with virtually any control equipment available today, the MIC Series 500 Professional seamlessly integrates with the vast majority of security systems.

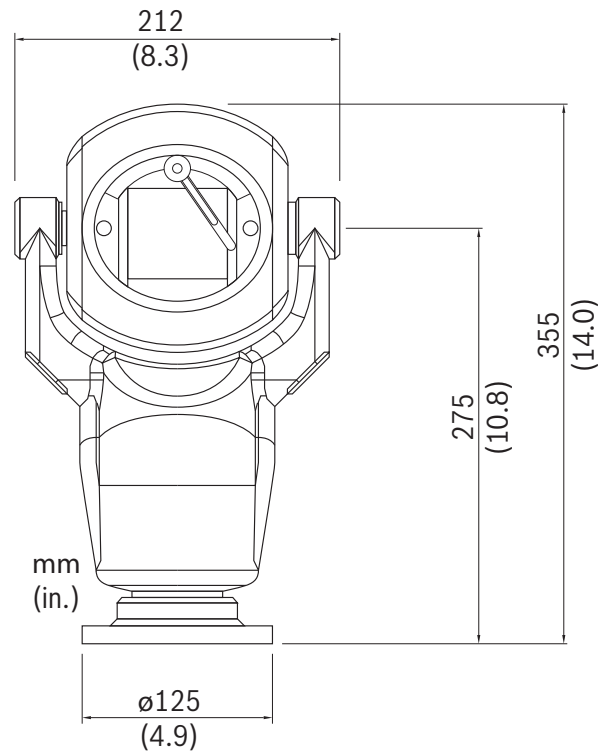
**Applications:**

- General CCTV
- Town centers
- ANPR systems
- Vandalism prone areas
- Extreme environments
- Rapid deployment
- High security
- Prestigious developments
- Broadcast
- Marine/costal
- Architectural

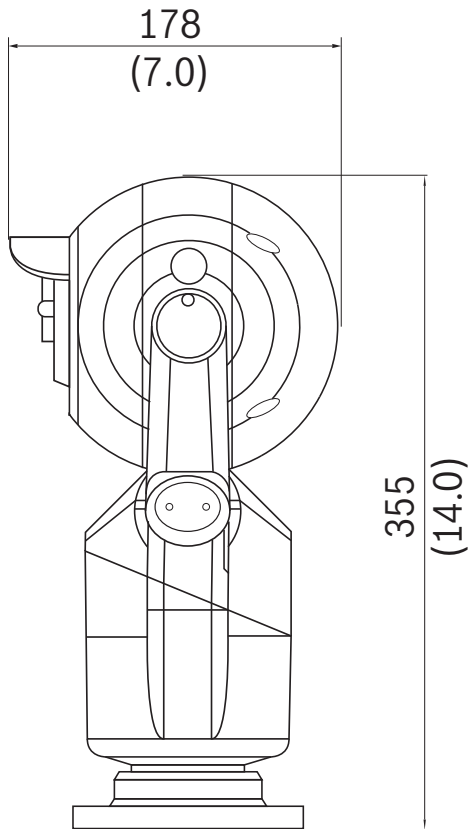
**Certifications and Approvals**

|                                     |  |
|-------------------------------------|--|
| Electromagnetic Compatibility (EMC) | Complies with FCC Part 15, ICES-003, and CE regulations, including EN50130-4 and EN61000-3-2 & 3-3 and EN55022 |
| Product Safety                      | Complies with CE regulations, UL, EN, and IEC Standards 60950-1 & 22   |
| Weatherproofing                     | IP68   |

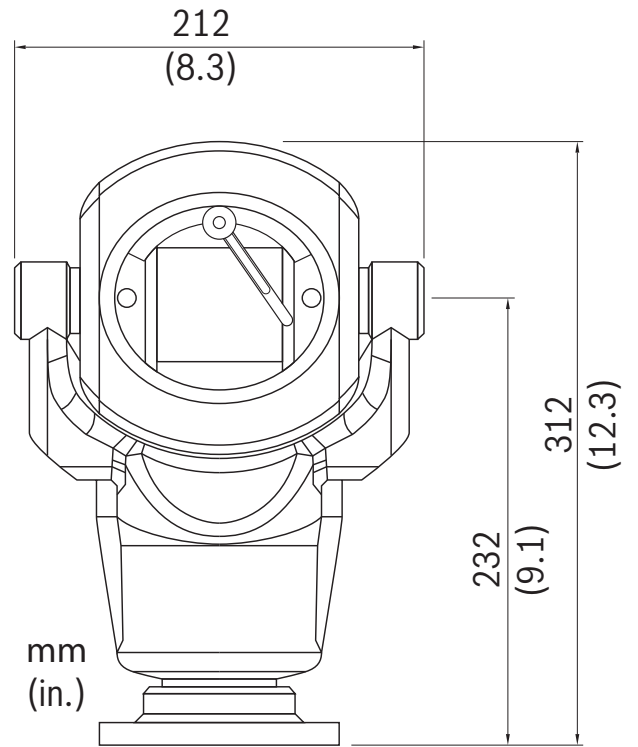
**Installation/Configuration Notes**



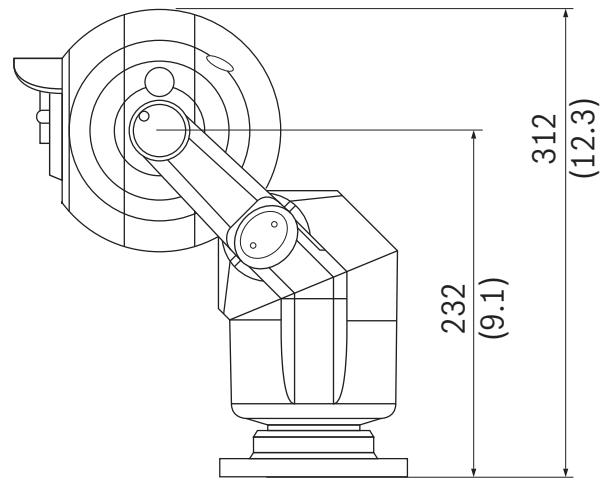
Front Detail, 90° (straight)



Side Detail, 90° (straight)



Front Detail, 45° (canted)



Side Detail, 45° (canted)

## Technical Specifications

### Camera Module

|                               |  |
|-------------------------------|--|
| Image Sensor                  | 1/4 in. Exview CCD (WDR)                           |
| Horizontal Resolution         | 540 TVL PAL (wide)<br>520 TVL NTSC                 |
| Filter                        | Automatic mechanical IR cut filter                 |
| Focus System                  | Auto or manual                                     |
| Iris                          | Auto or manual with slow shutter integration modes |
| Synchronization               | Internal / External (V-Lock)                       |
| Signal to Noise Ratio         | 50 dB or more                                      |
| Back Light Compensation (BLC) | On/Off   |
| White Balance                 | Automatic  |
| Automatic Gain Control (AGC)  | -3 to 28 dB, 2 dB steps                            |
| Aperture Control              | 16 Steps   |

### 18x Optical Zoom Module

|                      |  |
|----------------------|--|
| Lens                 | F=4.1 mm (wide) to 73.8 mm (tele), F1.4 to F3.0  |
| Zoom                 | 18x optical (12x digital)  |
| Angle of View        | 48° (wide) to 2.8° (tele)  |
| Minimum Illumination | 1/60 s mode, 0.7 lx (typical) (F1.4, 50 IRE)<br>1/4 s mode, 0.07 lx (typical) (F1.4, 50 IRE) |
| Shutter Speed        | 1/4 to 1/10,000 s (20 steps) NTSC, PAL   |

### 36x Optical Zoom Module

|                      |   |
|----------------------|---|
| Lens                 | F=3.4 mm (wide) to 122.4 mm (tele), F1.6 to F4.5  |
| Zoom                 | 36x optical (12x digital)   |
| Angle of View        | 57.8° (wide) to 1.7° (tele)   |
| Minimum Illumination | 1/60 s mode: 1.4 lx (typical) (F1.6, 50 IRE)<br>1/4 s mode: 0.1 lx (typical) (F1.6, 50 IRE) |
| Shutter Speed        | 1/4 to 1/10,000 s (20 steps) NTSC<br>1/3 to 1/10,000 s (20 steps) PAL                       |

### Operational

|                       |   |
|-----------------------|---|
| Auto Flip             | Yes   |
| Manual Flip           | Yes   |
| E-flip                | Yes, E-flip enables the camera module to invert the image   |
| Dynamic Privacy Zones | 3-D privacy masking with 959 zones  |
| Presets               | 64 telemetry presets accurate to 0.08° utilizing resolver technology using the on-screen menu or via Camset,<br>Up to 10 camera module presets (Sony sets) to allow ANPR, color correction etc. |
| Preset Tours          | Four (4) tours each with up to 32 presets   |
| Pattern Tours         | Two (2) tours   |
| Sector Titles         | 64 sectors, 20 characters per title   |

|                |  |
|----------------|--|
| Preset Titles  | 20-character caption for each of the 64 presets                  |
| Home Position  | Preset 1 or tour   |
| On-screen Menu | Most camera functions can be accessed through the on-screen menu |

### Communication and Protocols

|                  |  |
|------------------|--|
| Communication    | RS485 / RS422  |
| Control Protocol | FV and Bosch protocols pre-installed. Twin protocol packs including FV/Pelco, FV/VCL, FV/American Dynamics and FV/Kalatel can be loaded using the MIC Universal Camera Setup Software Utility (Camset) |

### Connectivity

|  |   |
|--|---|
| MIC Universal Camera Setup Software Utility (Camset) | Supplied free with each camera, Camset allows direct connection to a USB equipped PC via the MIC Series PSU or over a full duplex or IP network to provide access to all camera functions and useful diagnostic tools |
| Video  | Coaxial via composite cable   |
| Telemetry  | Twisted pair. Simplex, half and full duplex operation via composite cable   |
| Power  | Via composite cable   |

### Alarms

|                     |  |
|---------------------|--|
| Alarm Inputs        | One (1) tamper input (additional inputs possible with optional alarm card) |
| Alarm Communication | Tamper switch (ground connection)  |

### Mechanical

|                               |  |
|-------------------------------|--|
| Drive Unit                    | Brushless, integral pan/tilt motor drive |
| Pan Angle                     | 360° continuous rotation                 |
| Pan Speed                     | Up to 120° per second (variable)         |
| Tilt Angle                    | 270°                                     |
| Tilt Speed                    | 0.2° to 80° per second (variable)        |
| Speed Control                 | Closed loop electronics                  |
| Preset Accuracy               | Better than 0.08°                        |
| Proportional Pan/Tilt to Zoom | Yes                                      |

### Construction

|                       |   |
|-----------------------|---|
| Construction Material | Cast solid aluminum   |
| Viewing Window        | Tempered flat glass   |
| Standard Colors       | Black (RAL9005) or white (RAL9010)                                  |
| Standard Finish       | Alochrom 1200 surface treatment with powder coat paint, sand finish |

### Dimensions (W x H x D)

- Upright and Inverted 212 x 355 x 177 mm (8.35 x 13.98 x 6.97 in.)
- Canted 212 x 312 x 255 mm (8.35 x 12.28 x 10.0 in.)

|                                     |  |
|-------------------------------------|--|
| Weight                              | 7 kg (15.43 lb) including 4 in. pitch circle diameter (PCD) base                   |
| Canting                             | Twist Lock canting secured by two security screws                                  |
| <b>Environmental</b>                |  |
| Operating Temperature (with heater) | -30 °C to +60 °C (-22 °F to +140 °F)   |
| Weatherproofing                     | IP68   |
| <b>Electrical</b>                   |  |
| Input Voltage                       | 18 VAC   |
| Power Consumption                   | 25 W max. without heater;<br>36 W max. with heater on                              |
| <b>Options</b>                      |  |
| Camera Module                       | 18x camera module or 36x camera module   |
| Camera Color System                 | NTSC or PAL  |
| Telemetry Control Card              | Built-in   |
| Window Wiper                        | Standard   |
| Washer Drive                        | Optional washer kit (MIC-WKT Kit with washer pump drive)                           |
| Heater                              | Standard   |
| Privacy Masking                     | Privacy card with up to 959 masks, fitted as standard                              |
| Alarm Card                          | Optional, 8-input with washer pump drive function, fits in MIC Series power supply |
| Biphase Converter                   | Optional, fits in MIC Series power supply expansion slot (BP-4)                    |

### Ordering Information

|  |                       |
|--|-----------------------|
| <b>MIC-500-ALB18N MIC Series 500 Professional 18x NTSC Camera, Black</b><br>18x, NTSC, PTZ camera, black, with an integrated wiper, heater, and privacy function | <b>MIC-500-ALB18N</b> |
| <b>MIC-500-ALB18P MIC Series 500 Professional 18x PAL Camera, Black</b><br>18x, PAL, PTZ camera, black, with an integrated wiper, heater, and privacy function   | <b>MIC-500-ALB18P</b> |
| <b>MIC-500-ALB36N MIC Series 500 Professional 36x NTSC Camera, Black</b><br>36x, NTSC, PTZ camera, black, with an integrated wiper, heater, and privacy function | <b>MIC-500-ALB36N</b> |
| <b>MIC-500-ALB36P MIC Series 500 Professional 36x PAL Camera, Black</b><br>36x, PAL, PTZ camera, black, with an integrated wiper, heater, and privacy function   | <b>MIC-500-ALB36P</b> |
| <b>MIC-500-ALW18N MIC Series 500 Professional 18x NTSC Camera, White</b><br>18x, NTSC, PTZ camera, white, with an integrated wiper, heater, and privacy function | <b>MIC-500-ALW18N</b> |

### Ordering Information

|  |                       |
|--|-----------------------|
| <b>MIC-500-ALW18P MIC Series 500 Professional 18x PAL Camera, White</b><br>18x, PAL, PTZ camera, white, with an integrated wiper, heater, and privacy function         | <b>MIC-500-ALW18P</b> |
| <b>MIC-500-ALW36N MIC Series 500 Professional 36x NTSC Camera, White</b><br>36x, NTSC, PTZ camera, white, with an integrated wiper, heater, and privacy function       | <b>MIC-500-ALW36N</b> |
| <b>MIC-500-ALW36P MIC Series 500 Professional 36x PAL Camera, White</b><br>36x, PAL, PTZ camera, white, with an integrated wiper, heater, and privacy function         | <b>MIC-500-ALW36P</b> |
| <b>Accessories</b>   |                       |
| <b>MIC-24PSU-UL 24 VAC Camera Power Supply</b><br>24 VAC, 50/60 Hz power supply for MIC Series cameras   | <b>MIC-24PSU-UL</b>   |
| <b>MIC-115PSU-UL 115 VAC Camera Power Supply</b><br>115 VAC, 60 Hz power supply for MIC Series cameras   | <b>MIC-115PSU-UL</b>  |
| <b>MIC-240PSU-UL 240 VAC Camera Power Supply</b><br>240 VAC, 50 Hz power supply for MIC Series cameras   | <b>MIC-240PSU-UL</b>  |
| <b>MIC-ALM Alarm and Washer Pump Drive Card</b><br>8 Input alarm and washer pump drive card for PSU (Not for IR PSU)   | <b>MIC-ALM</b>        |
| <b>MIC-BP4 Biphase Converter</b><br>Biphase converter for non-IR versions of MIC series power supply units   | <b>MIC-BP4</b>        |
| <b>MICUSB485CVTR2 USB to RS485 Signal Converter</b><br>USB to RS485 signal converter to allow MIC Series cameras to connect to a PC, supplied with each camera         | <b>MICUSB485CVTR2</b> |
| <b>MIC-501KBD Keyboard Controller</b><br>Keyboard controller with 3-axis joystick for 1 camera (FV PROTOCOL ONLY)  | <b>MIC-501KBD</b>     |
| <b>MIC-516KBD Keyboard Controller</b><br>Keyboard controller with 3-axis joystick for 1 to 16 cameras (FV PROTOCOL ONLY)   | <b>MIC-516KBD</b>     |
| <b>MIC-WKT Washer Kit</b><br>Washer kit for non infrared MIC models (includes washer pump drive card, washer nozzle and mounting brackets for wall and 4 in. PCD base) | <b>MIC-WKT</b>        |
| <b>HAC-WAS05-20 24 VAC Washer</b><br>24 VAC washer inst. 5M 25L  | <b>HAC-WAS05-20</b>   |
| <b>HAC-WAS05-50 230 VAC Washer</b><br>230 VAC washer inst. 5M 25L  | <b>HAC-WAS05-50</b>   |
| <b>HAC-WAS30-50 230 VAC Washer</b><br>230 VAC washer inst. 30M 25L   | <b>HAC-WAS30-50</b>   |

**Ordering Information**

|   |                   |
|---|-------------------|
| <b>MIC-DCA-WD Deep Conduit Adapter</b><br>Deep conduit adapter for 4 in. PCD base - white sand finish, RAL9010  | <b>MIC-DCA-WD</b> |
| <b>MIC-DCA-BD Deep Conduit Adapter</b><br>Deep conduit adapter for 4 in. PCD base - black sand finish, RAL9005  | <b>MIC-DCA-BD</b> |
| <b>MIC-SCA-WD Shallow Conduit Adaptor</b><br>Adapter for a MIC-WMB, a MIC-PMB, or a MIC-SPR mount, white sand finish, RAL9010   | <b>MIC-SCA-WD</b> |
| <b>MIC-SCA-BD Shallow Conduit Adapter</b><br>Adapter for a MIC-WMB, a MIC-PMB, or a MIC-SPR mount, black sand finish, RAL9005   | <b>MIC-SCA-BD</b> |
| <b>MIC-SPR-WD Spreader Plate</b><br>Aluminum spreader plate suitable for brick-work surface mounting – white sand finish RAL9010  | <b>MIC-SPR-WD</b> |
| <b>MIC-SPR-BD Spreader Plate</b><br>Aluminum spreader plate suitable for brick-work surface mounting – black sand finish RAL9005  | <b>MIC-SPR-BD</b> |
| <b>MIC-CMB-WD Corner Mount Bracket</b><br>Corner mount bracket - white sand finish RAL9010  | <b>MIC-CMB-WD</b> |
| <b>MIC-CMB-BD Corner Mount Bracket</b><br>Corner mount bracket - black sand finish RAL9005  | <b>MIC-CMB-BD</b> |
| <b>MIC-WMB-WD Wall Mount Bracket</b><br>Wall mount bracket - white sand finish RAL9010  | <b>MIC-WMB-WD</b> |
| <b>MIC-WMB-BD Wall Mount Bracket</b><br>Wall mount bracket - black sand finish RAL9005  | <b>MIC-WMB-BD</b> |
| <b>MIC-PMB Pole Mount Bracket</b><br>Pole mount bracket (includes 2 x 455 mm banding ties for pole diameters 75 to 145 mm)  | <b>MIC-PMB</b>    |
| <b>MIC-2M-S 2 m Shielded Composite Cable</b><br>Shielded Composite 2 m cable that provides power, telemetry and video connection from a MIC Series camera to a MIC Series power supply    | <b>MIC-2M-S</b>   |
| <b>MIC-10M-S 10 m Shielded Composite Cable</b><br>Shielded Composite 10 m cable that provides power, telemetry and video connection from a MIC Series camera to a MIC Series power supply | <b>MIC-10M-S</b>  |

**Ordering Information**

|   |                  |
|---|------------------|
| <b>MIC-20M-S 20 m Shielded Composite Cable</b><br>Shielded Composite 20 m cable that provides power, telemetry and video connection from a MIC Series camera to a MIC Series power supply | <b>MIC-20M-S</b> |
| <b>MIC-25M-S 25 m Shielded Composite Cable</b><br>Shielded Composite 25 m cable that provides power, telemetry and video connection from a MIC Series camera to a MIC Series power supply | <b>MIC-25M-S</b> |

**Americas:**  
Bosch Security Systems, Inc.  
130 Perinton Parkway  
Fairport, New York, 14450, USA  
Phone: +1 800 289 0096  
Fax: +1 585 223 9180  
security.sales@us.bosch.com  
www.boschsecurity.us

**Europe, Middle East, Africa:**  
Bosch Security Systems B.V.  
P.O. Box 80002  
5600 JB Eindhoven, The Netherlands  
Phone: +31 40 2577 284  
Fax: +31 40 2577 330  
emea.securitysystems@bosch.com  
www.boschsecurity.com

**Asia-Pacific:**  
Robert Bosch (SEA) Pte Ltd, Security Systems  
11 Bishan Street 21  
Singapore 573943  
Phone: +65 6258 5511  
Fax: +65 6571 2698  
apr.securitysystems@bosch.com  
www.boschsecurity.asia