



MIC Series Power Supplies



- ▶ Provide all connections for power, telemetry and video for the MIC series range of PTZ cameras.
- ▶ Weather-resistant, cast-aluminum IP65 enclosure.
- ▶ Weather-proof 1/2-in. NPT, M16, and M12 cable glands for connection of power, video, telemetry and ancillary equipment
- ▶ Integrated header for addition of ancillary cards such as the MIC alarm card, washer pump drive card or bi-phase converter card (non IR power supplies only)
- ▶ Integrated washer pump drive with test function (IR power supplies only)
- ▶ Integrated four-input alarm terminal (IR power supplies only)
- ▶ Ground isolation and termination to control video grounding and to prevent ground loops.

A full range of MIC Series power supply units (PSUs) from Bosch Security Systems provide all connections for power, telemetry and video for the MIC series range of PTZ cameras. These PSUs ensure that MIC cameras can be installed in a variety of locations, including low voltage and mobile applications.

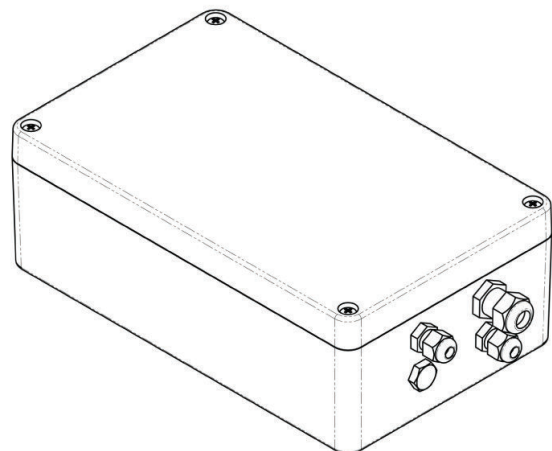
Each power supply has UL, CE, and FCC approval, is rated to IP65, and comes in a selection of input voltages with variants for MIC Series cameras with and without integrated Infrared illuminators. The PSU housing also has slots for optional cards, such as the 8-channel alarm card including washer pump drive. Certain PSUs have extra functionality built-in as standard.

| | |
|-------------------------------------|---|
| Electromagnetic Compatibility (EMC) | Complies with FCC Part 15 and ICES-003 regulations |
| Product Safety | Complies with UL (UL 2044), CSA Standards (CSA Standard C22.2 No. 1-98), and CE |
| Environmental Protection | IP65 |

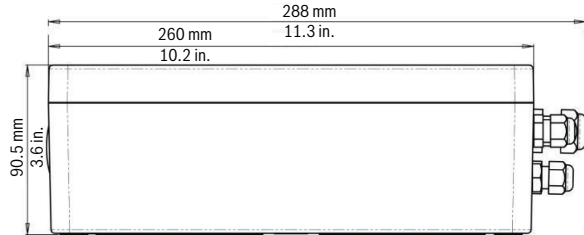
Certifications and Approvals

| Region | Certification | |
|--------|---------------|---------------------------------|
| Europe | CE | EC Declaration of Conformity |
| USA | UL | 60950-1, 2nd Edition:2007 |
| | FCC | CFR 47 FCC Part 15:2009 Class B |
| Canada | CSA | CAN/CSA-22.2-No. 60950-1-07 |

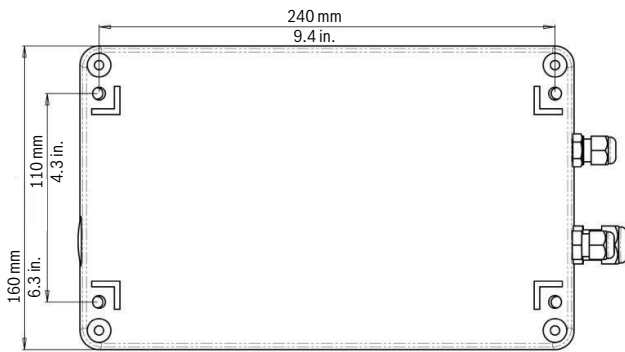
Installation/Configuration Notes



Power Supply Box – full view



Power Supply Box – side view



Power Supply Box – bottom view

Technical Specifications

Electrical

Model

| | |
|------------------|---|
| MIC-24PSU-UL | Input: 24 VAC, 50/60 Hz, 1.4 A Output 1 (Camera): 18 VAC, 950 mA Output 2 (Heaters): 18V AC, 600 mA |
| MIC-IR-24PSU-UL | Input: 24 VAC, 50/60 Hz, 2.6 A Output 1 (Camera): 18 VAC, 950 mA Output 2 (IR Lamps): 0–26 VDC, 1 A |
| MIC-115PSU-UL | Input: 115 VAC, 50/60 Hz, 300 mA Output 1 (Camera): 18 VAC, 950 mA Output 2 (Heaters): 18 VAC, 600 mA |
| MIC-IR-115PSU-UL | Input: 115 VAC, 50/60 Hz, 600 mA Output 1 (Camera): 18 VAC, 950 mA Output 2 (IR Lamps): 0–26 VDC, 1 A |

Model

| | |
|------------------|---|
| MIC-240PSU-UL | Input: 230 VAC, 50/60 Hz, 150 mA Output 1 (Camera): 18 VAC, 950 mA Output 2 (Heaters): 18 VAC, 600 mA |
| MIC-IR-240PSU-UL | Input: 230 VAC, 50/60 Hz, 280 mA Output 1 (Camera): 18 VAC, 950 mA Output 2 (IR Lamps): 0–26 VDC, 1 A |

Mechanical

Dimensions (H x W D)

| | |
|--------------------------------|---|
| Enclosure | 90.5 x 160 x 260 mm (3.6 x 6.3 x 10.2 in.) |
| With glands | 90.5 x 160 x 288 mm (3.6 x 6.3 x 11.3 in.) |
| Form Factor (four screw holes) | 110 x 240 mm (4.3 x 9.4 in.) |

Weight

| | |
|-----------------|----------------------------|
| Standard | 3.24 kg (7.14 lbs) |
| Infrared Models | 3.75 kg (8.27 lbs) approx. |

| | |
|----------|--|
| Material | Powder-coated cast-aluminum, IP65 |
| Color | RAL 9010 (Pure White) |
| Options | MIC-ALM 8-input alarm card MIC-WKT washer pump kit MIC-BP4 Bi-phase card |

Environmental

| | |
|-----------------------|--|
| Operating Temperature | <ul style="list-style-type: none"> Non-IR power Supplies –40° to +60°C (–40° to +140°F) IR Power Supplies –40° to +50°C (–40° to +122°F) |
| Storage Temperature | –40° to +65°C (–40° to +149°F) |

Ordering Information

| | |
|---|-------------------------|
| MIC-24PSU-UL 24 VAC Camera Power Supply 24 VAC, 50/60 Hz power supply for MIC Series cameras | MIC-24PSU-UL |
| MIC-IR-24PSU-UL 24 VAC Camera/IR Power Supply 24 VAC, 50/60 Hz power supply for MIC Series cameras with Infrared Illuminators | MIC-IR-24PSU-UL |
| MIC-115PSU-UL 115 VAC Camera Power Supply 115 VAC, 60 Hz power supply for MIC Series cameras | MIC-115PSU-UL |
| MIC-IR-115PSU-UL 115 VAC Camera/IR Power Supply 115 VAC, 60 Hz power supply for MIC Series cameras with Infrared Illuminators | MIC-IR-115PSU-UL |
| MIC-240PSU-UL 240 VAC Camera Power Supply 240 VAC, 50 Hz power supply for MIC Series cameras | MIC-240PSU-UL |

Ordering Information

| | |
|---|-------------------------|
| MIC-IR-240PSU-UL 240 VAC Camera/IR Power Supply 240 VAC, 50 Hz power supply for MIC Series cameras Infrared Illuminators | MIC-IR-240PSU-UL |
| UPA-2450-60 Power Supply 120 VAC, 60 Hz, 24 VAC, 50 VA Out | UPA-2450-60 |
| UPA-2450-50 Power Supply 220 VAC, 50 Hz, 24 VAC, 50 VA Out | UPA-2450-50 |
| Accessories | |
| MIC-ALM Alarm and Washer Pump Drive Card 8 Input alarm and washer pump drive card for PSU (Not for IR PSU) | MIC-ALM |
| MIC-BP3 Bi-phase Converter Biphas converter for IR power supplies or non-IR power supplies without a free expansion slot available | MIC-BP3 |
| MIC-BP4 Biphas Converter BiPhase converter for non-IR versions of MIC series power supply units | MIC-BP4 |
| MIC-WKT Washer Kit Washer kit for non infrared MIC models (includes washer pump drive card, washer nozzle and mounting brackets for wall and 4 in. PCD base) | MIC-WKT |
| MIC-WKT-IR Washer Kit Washer kit for infrared power supplies only (includes washer nozzle and mounting brackets for wall or 4 in. PCD base) | MIC-WKT-IR |
| MIC-2M-S 2 m Shielded Composite Cable Shielded Composite 2 m cable that provides power, telemetry and video connection from a MIC Series camera to a MIC Series power supply | MIC-2M-S |
| MIC-10M-S 10 m Shielded Composite Cable Shielded Composite 10 m cable that provides power, telemetry and video connection from a MIC Series camera to a MIC Series power supply | MIC-10M-S |
| MIC-20M-S 20 m Shielded Composite Cable Shielded Composite 20 m cable that provides power, telemetry and video connection from a MIC Series camera to a MIC Series power supply | MIC-20M-S |
| MIC-25M-S 25 m Shielded Composite Cable Shielded Composite 25 m cable that provides power, telemetry and video connection from a MIC Series camera to a MIC Series power supply | MIC-25M-S |

Americas:

Bosch Security Systems, Inc.
130 Perinton Parkway
Fairport, New York, 14450, USA
Phone: +1 800 289 0096
Fax: +1 585 223 9180
security.sales@us.bosch.com
www.boschsecurity.us

Europe, Middle East, Africa:

Bosch Security Systems B.V.
P.O. Box 80002
5600 JB Eindhoven, The Netherlands
Phone: + 31 40 2577 284
Fax: +31 40 2577 330
emea.securitysystems@bosch.com
www.boschsecurity.com

Asia-Pacific:

Robert Bosch (SEA) Pte Ltd, Security Systems
11 Bishan Street 21
Singapore 573943
Phone: +65 6258 5511
Fax: +65 6571 2698
apr.securitysystems@bosch.com
www.boschsecurity.com

Represented by