



LTC 9405 Series Compact Indoor Housings



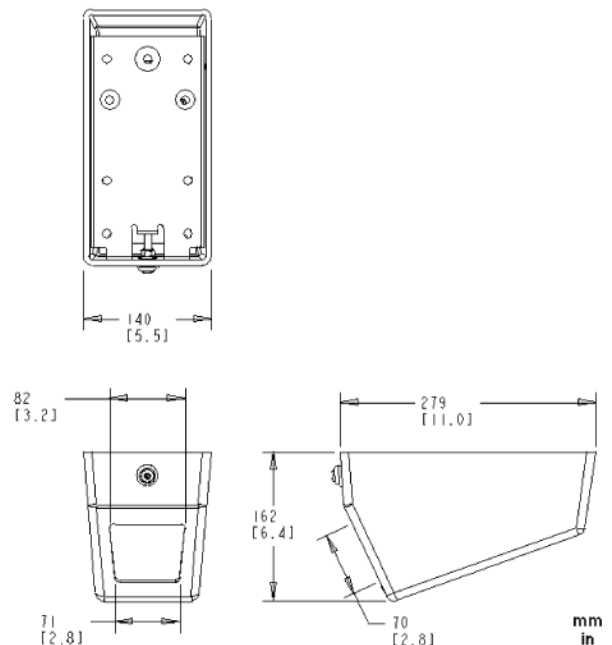
- ▶ Rugged cast aluminum construction – equivalent to 10 gage Steel
- ▶ Ceiling or wall mount installation
- ▶ Scratch-resistant polycarbonate window
- ▶ Adjustable camera mounting system
- ▶ Compact design

The LTC 9405 Series are compact wall or ceiling mounted detention grade security housings. Designed for applications such as prisons, parking garages, and hospitals, these housings are ideal for installations requiring secure CCTV monitoring.

For maximum protection and durability, the lightweight cast aluminum design of the LTC 9405 Series housings provides the strength of 10 gauge steel with the superior strength-to-weight ratio of aluminum. The viewing window is constructed of 9.5 mm (0.37 inch) clear polycarbonate material, treated with a scratch-resistant coating. A removable hinged cover, secured by a key lock, provides easy access to the camera.

If more security is required, the LTC 9405/05 model is available with a 12.7 mm (0.5 inch) clear viewing window. Attractively styled, these housings are designed to be mounted on a ceiling or on a wall, horizontally or vertically.

Installation/Configuration Notes



Dimensional Outline

Parts Included

Quantity Component

1	LTC 9405 Series Compact Indoor Housing
---	--

Technical Specifications

Models

LTC 9405/00	Clear, 9.5 mm (0.37 inch) viewing window.
LTC 9405/01	Key lock controlled access. Clear, 9.5 mm (0,37) viewing window.
LTC 9405/03	Clear, 12.7 mm (0.5 inch) viewing window.
LTC 9405/05	Key lock controlled access. Clear, 12.7 mm (0.5 inch) viewing window.

Mechanical

Maximum Camera/Lens Size	Accepts camera/lens combinations up to 190 L x 68 W x 68 H mm (7.5 x 2.7 x 2.7 inch). Dimensions include standard connectors. A right angle BNC may be required for some cameras.
Cable Entry	Wiring access through one PG 21 (3/4 inch) and two PG 13.5 (1/2 inch) conduit knockouts located in the top of the housing. Open cable entry is also available through the top.
Window	Clear polycarbonate treated with a scratch-resistant coating. Design allows for easy replacement.
Housing Mounting	Protected top panel contains six 10 mm (0.4 inch) holes for easy installation.
Camera Mounting	Removable three piece fully adjust- able mounting system.
Construction	5.8 mm (0.23 inch) cast aluminum cover mounted to a high strength steel top panel and assembled using high strength steel hardware
Finish	Light gray
Dimensions	See Dimensional Outline
Weight	2.6 kg (5.8 lb)

Ordering Information

LTC 9405/00 Compact Indoor Housing Max. security, wall or ceiling mount, 9.5 mm (0.37 inch) glass, view window	LTC9405/00
LTC 9405/01 Compact Indoor Housing Max. security, wall or ceiling mount, 9.4 mm (0.37 inch) glass, view window, with key lock	LTC9405/01
LTC 9405/03 Compact Indoor Housing Max. security, wall or ceiling mount, 12,7 mm (0.5 inch) glass, view window	LTC9405/03
LTC 9405/05 Compact Indoor Housing Max. security, wall or ceiling mount, 12,7 mm (0.5 inch) glass, view window, with key lock	LTC9405/05

Europe, Middle East, Africa:
Bosch Security Systems B.V.
P.O. Box 80002
5600 JB Eindhoven, The Netherlands
Phone: + 31 40 2577 284
Fax: +31 40 2577 330
emea.securitysystems@bosch.com
www.boschsecurity.com

Americas:
Bosch Security Systems, Inc.
130 Perinton Parkway
Fairport, New York, 14450, USA
Phone: +1 800 289 0096
Fax: +1 585 223 9180
security.sales@us.bosch.com
www.boschsecurity.us

Asia-Pacific:
Bosch Security Systems Pte Ltd
38C Jalan Pemimpin
Singapore 577180
Phone: +65 6319 3450
Fax: +65 6319 3499
apr.securitysystems@bosch.com
www.boschsecurity.com

Represented by