



## LTC 9305 Series Indoor Housings

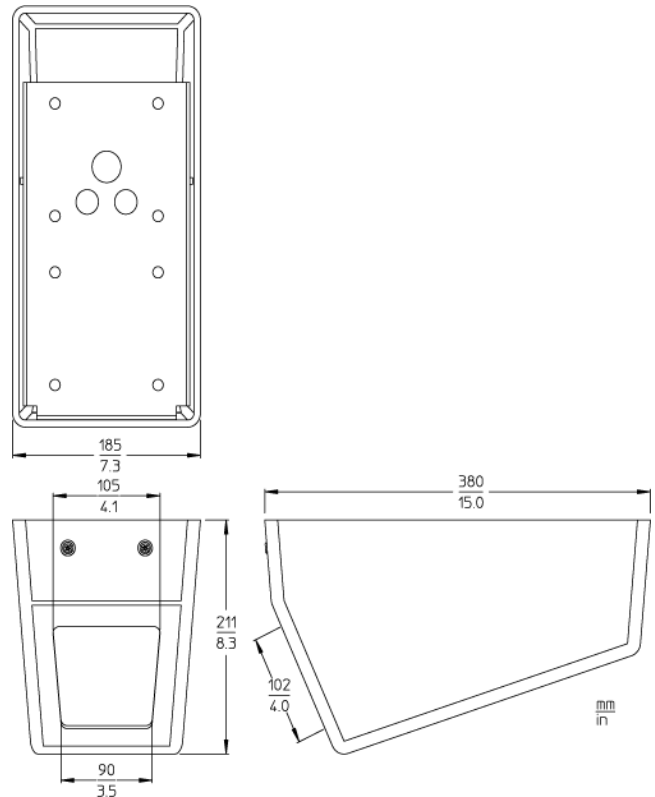


- ▶ Rugged Cast Aluminum Construction - Equivalent to 10 Gauge Steel
- ▶ Ceiling or Wall Mounted Installation
- ▶ Scratch-Resistant Polycarbonate Window
- ▶ Adjustable Camera Mounting System
- ▶ Attractive Styling

The LTC 9305 Series are wall or ceiling mounted detention grade security housings designed for applications such as prisons, parking garages, and hospitals. These housings are ideal for applications requiring secure CCTV monitoring. For maximum protection and durability, the light weight cast aluminum design of the LTC 9305 Series housings provide the strength of 10 gauge steel with the superior strength-to-weight ratio of aluminum. The viewing window is constructed of 9.5 mm (0.37 in) clear polycarbonate material, treated with a scratch resistant coating. The removable cover provides access to the camera and is secured by a tamper-resistant screw.

A special tool is provided for screw removal. Attractively styled, these housings are designed to be mounted on the ceiling, on the wall horizontally, or on the wall vertically. A key lock on the access panel is available. These housings will accept all 1/4-inch, 1/3-inch, and 1/2-inch format CCD cameras with fixed format lenses.

### Installation/Configuration Notes



*Dimensional Outline***Parts Included****Quantity Component**

1 LTC 9305 Series Indoor Housing

**Technical Specifications****Models**

LTC 9305/00	Clear 9.5 mm (0.37 inch) viewing window.
LTC 9305/01	Key lock controlled access. 9.5 mm (0.37 inch) viewing window.
LTC 9305/02	Tinted 9.5 mm (0.37 inch) viewing window.
LTC 9305/03	Clear 12.7 mm (0.50 inch) viewing window.
LTC 9305/04	Key lock controlled access. Tinted 9.5 mm (0.37 inch) viewing window.
LTC 9305/05	Key lock controlled access. Clear 12.7 mm (0.5 inch) viewing window.
LTC 9305/07	Key lock controlled access. Tinted 12.7 mm (0.5 inch) viewing window.

**Mechanical**

Maximum Camera/Lens Size	Accepts camera/lens combinations up to 300 L x 76 W x 76 H mm (11.8 x 3.0 x 3.0 inch) when using 1/4-inch, 1/3-inch and 1/2-inch format CCD cameras. Dimensions include standard
--------------------------	--

**Connectors**

Cable Entry	Wiring access through one PG 21 (3/4 inch) and two PG 13.5 (1/2 inch) conduit knockouts located in the top of the housing. Open cable entry is also available through the top.
Window	9.5 mm (0.37 inch) thick polycarbonate treated with a scratch-resistant coating. Design allows for easy replacement.
Housing Mounting	Protected top panel contains six 10 mm (0.406 inch) holes for easy installation.
Camera Mounting	Removable three piece fully adjustable mounting system.
Construction	6.3 mm (0.25 inch) cast aluminum cover mounted to a high strength steel top panel and assembled using high strength steel hardware. Cover secured using two security screws.
Finish	Light gray
Dimensions	See Dimensional Outline.
Weight	5.6 kg (12.3 lb).
Accessories	
Defogger Kits	Recommended for use in areas where condensation could cause fogging of the viewing window.
LTC 9315/60	115 VAC, 50 / 60 Hz, 50 W thermostatically-controlled defogger kit.
LTC 9315/20	24 VAC, 50 / 60 Hz, 50 W thermostatically-controlled defogger kit.
LTC 9315/50	230 VAC, 50 / 60 Hz, 50 W thermostatically-controlled defogger kit.

**Ordering Information**

LTC 9305/00 Indoor Housing Max. security, wall or ceiling mount, 9.5 mm (0.37 inch) view window	LTC9305/00
--	------------

### Ordering Information

LTC 9305/01 Indoor Housing Max. security, wall or ceiling mount, 9.5 mm (0.37 inch), view window, with key lock	LTC9305/01
LTC 9305/02 Indoor Housing Max. security, wall or ceiling mount, 9.5 mm (0.37 inch) tinted view window	LTC9305/02
LTC 9305/03 Indoor Housing Max. security, wall or ceiling mount, 12.7 mm (0.5 inch) clear view window	LTC9305/03
LTC 9305/04 Indoor Housing Max. security, wall/ceiling housing key, 9.5 mm (0.37 inch) tinted viewing window	LTC9305/04
LTC 9305/05 Indoor Housing Max. security, wall/ceiling housing key, 12.7 mm (0.5 inch) clear viewing window	LTC9305/05
LTC 9305/07 Indoor Housing Max. security, wall/ceiling housing key, 12.7 mm (0.5 inch) tinted viewing window	LTC 9305/07
<b>Accessories</b>	
LTC 9315/20 Defogger Kit with thermostat 24 VAC, 50/60 Hz	LTC9315/20
LTC 9315/60 Defogger Kit with thermostat, 115 VAC, 50/60 Hz	LTC9315/60
LTC 9315/50 Defogger Kit with thermostat housing 230VAC, 50/60 Hz	LTC9315/50

**Europe, Middle East, Africa:**  
Bosch Security Systems B.V.  
P.O. Box 80002  
5600 JB Eindhoven, The Netherlands  
Phone: + 31 40 2577 284  
Fax: +31 40 2577 330  
emea.securitysystems@bosch.com  
www.boschsecurity.com

**Americas:**  
Bosch Security Systems, Inc.  
130 Perinton Parkway  
Fairport, New York, 14450, USA  
Phone: +1 800 289 0096  
Fax: +1 585 223 9180  
security.sales@us.bosch.com  
www.boschsecurity.us

**Asia-Pacific:**  
Bosch Security Systems Pte Ltd  
38C Jalan Pemimpin  
Singapore 577180  
Phone: +65 6319 3450  
Fax: +65 6319 3499  
apr.securitysystems@bosch.com  
www.boschsecurity.com

**Represented by**