



LTC 9303 Series Indoor Housings



- ▶ **Rugged Cast Aluminum Construction - Equivalent to 10 Gauge Steel**
- ▶ **Corner-Mounted Installation**
- ▶ **Scratch-Resistant Polycarbonate Window**
- ▶ **Adjustable Camera Mounting System**
- ▶ **Attractive Styling**

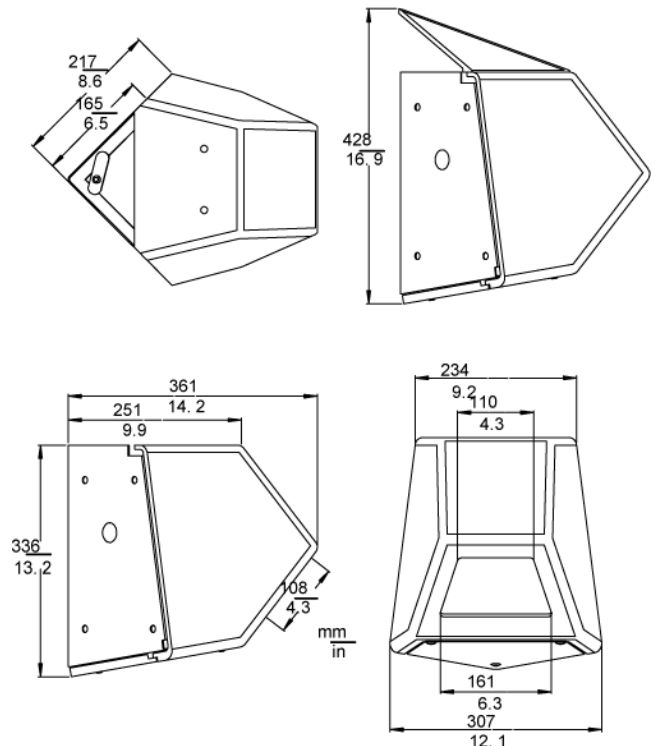
The LTC 9303 Series are inside corner-mounted detention-grade security housings, designed for applications such as prisons, parking garages, and hospitals. These housings are ideal for any application requiring secure CCTV monitoring. For maximum protection and durability, the light weight cast aluminum design of the LTC 9303 Series housing provides the strength of 10 gauge steel, with the superior strength-to-weight ratio of aluminum.

The viewing window is constructed of 9.5 mm (0.37 in) clear polycarbonate material, treated with a scratch resistant coating. A removable bottom panel provides access to the camera, and is secured using three tamper resistant screws. A special tool is provided for screw removal.

Attractively styled, these housings are furnished without a full top cover, and are designed to be corner-mounted flush with the ceiling. Adding the LTC 9313/00 top cover allows the housing to be mounted below the ceiling line. A key lock on the access panel is also available.

These housings will accept 1/4-inch, 1/3-inch, and 1/2-inch format CCD cameras with fixed format CS lenses.

Installation/Configuration Notes



Parts Included

Quantity	Component
1	LTC 9303 Series Indoor Housing

Technical Specifications

Models

LTC 9303/00	Clear 9.5 mm (0.37 inch) viewing window.
LTC 9303/01	Clear 9.5 mm (0.37 inch) viewing window with key lock controlled access.
LTC 9303/02	Tinted 9.5 mm (0.37 inch) viewing window.
LTC 9303/03	Clear 12.7 mm (0.50 inch) viewing window.
LTC 9303/04	Tinted 9.5 mm (0.37 inch) viewing window with key lock controlled access.
LTC 9303/05	Clear 12.7 mm (0.5 inch) viewing window with key lock controlled access.

Mechanical

Maximum Camera/Lens Size	Housing accepts camera/lens combinations up to 267 L x 102 W x 76 H mm (10.5 x 4.0 x 3.0 inch) when using 1/4-inch, 1/3-inch and 1/2-inch format CCD cameras. Dimensions include standard
--------------------------	---

Connectors

Cable Entry	Wiring access through a PG 21 (3/4 inch) conduit knockout located on both sides of the rear of the housing. Cable entry also available through top of the housing.
Window	9.5 mm (0.37 inch) thick polycarbonate treated with a scratch-resistant coating. Design allows for easy replacement.
Housing Mounting	Protected rear panel contains eight 10mm (0.406 inch) holes for easy installation.
Camera Mounting	Removable three piece fully adjustable mounting system.
Construction	6.3 mm (0.25 inch) cast aluminum front cover mounted to a steel rear panel and assembled using high strength steel hardware. Access panel secured using three security screws.
Finish	Light gray
Dimensions	See Dimensional Outline
Weight	7.7 kg (17 lb)

Accessories

LTC 9313/00	Sloped top cover for housings mounted below the ceiling line.
Defogger Kits	Recommended for use in areas where condensation could cause fogging of the viewing window.
LTC 9313/60	115 VAC, 50 / 60 Hz, 50 W thermostatically- controlled defogger kit.
LTC 9313/20	24 VAC, 50 / 60 Hz, 50 W thermostatically- controlled defogger kit.
LTC 9313/50	230 VAC, 50 / 60 Hz, 50 W thermostatically- controlled defogger kit.

Ordering Information

LTC 9303/00 Indoor Housing Max. security, corner mounting, clear 9.5 (0,37 inch) viewing window	LTC9303/00
LTC 9303/01 Indoor Housing Max. security, corner mounting, clear win- dow with key lock	LTC9303/01
LTC 9303/02 Indoor Housing Max. security, corner mounting, tinted 9.5 mm (0,37 inch), viewing window	LTC9303/02
LTC 9303/03 Indoor Housing Max. security, corner mounting, clear 12.7 mm (0.50 inch) viewing window	LTC9303/03
LTC 9303/04 Indoor Housing Max. Security, corner mounting, tinted 9.5 mm (0,37 inch) viewing window	LTC9303/04
LTC 9303/05 Indoor Housing max. security, corner mounting, clear 12,7 mm (0,5 inch) viewing window	LTC9303/05
Accessories	
LTC 9313/00 Sloped Top Cover for LTC 9303 Series Housing	LTC9313/00
LTC 9313/20 Defogger Kit for LTC 9303 indoor housing, 24 VAC, 50/60 Hz, 50 W	LTC9313/20
LTC 9313/50 Defogger Kit for LTC 9303 indoor housing, 230 VAC, 50/60 Hz, 50 W	LTC9313/50
LTC 9313/60 Defogger Kit for LTC 9303 indoor housing, 115 V, 50/60 Hz, 50 W	LTC9313/60

Europe, Middle East, Africa:
Bosch Security Systems B.V.
P.O. Box 80002
5600 JB Eindhoven, The Netherlands
Phone: + 31 40 2577 284
Fax: +31 40 2577 330
emea.securitysystems@bosch.com
www.boschsecurity.com

Americas:
Bosch Security Systems, Inc.
130 Perinton Parkway
Fairport, New York, 14450, USA
Phone: +1 800 289 0096
Fax: +1 585 223 9180
security.sales@us.bosch.com
www.boschsecurity.us

Asia-Pacific:
Bosch Security Systems Pte Ltd
38C Jalan Pemimpin
Singapore 577180
Phone: +65 6319 3450
Fax: +65 6319 3499
apr.securitysystems@bosch.com
www.boschsecurity.com

Represented by