



LTC 921x, 922x Versatile Mounts



- ▶ **Maximum Load – 45 kg (100 lb) & 90 kg (200 lb)**
- ▶ **Attractive Appearance**
- ▶ **Corrosion-resistant**
- ▶ **Versatile Mounting Hole Pattern**
- ▶ **Wide Range of Models**

Our wide selection of indoor/outdoor mounting brackets includes column, wall, pole, corner, and adjustable head mounts. These versatile mounts accommodate fixed cameras, environmental camera housings and pan/tilts. All units are made of a lightweight aluminum alloy with a corrosion-free exterior coating. These products meet the Military Salt Atmosphere Standard MIL-STD-810E, Method 509, Procedure I. The column and wall mounts feature welded construction providing an extremely rigid camera mount one-third the weight of steel.

Installation of a wide range of devices is facilitated with generous wrench and socket clearances. Unique slotted mounting hole patterns are on the mounting surface.

The LTC 9214/00 is a 356 mm (14-inch) column mount for medium and heavy duty camera assembly installations. It is constructed of 76mm (3-inch) OD aluminum tubing with welded end flanges. The center of each flange is fitted with a 1/4-20 threaded stainless steel insert for center mounting.

The LTC 9224/00 is identical to the LTC 9214/00, except the overall length is 610 mm (24-inch).

The LTC 9216/00 is a 409 mm (16-inch) wall mount, designed for light to medium duty camera installations.

The LTC 9222/00 is a 564 mm (22-inch) wall mount, designed for heavy duty cameras installations.

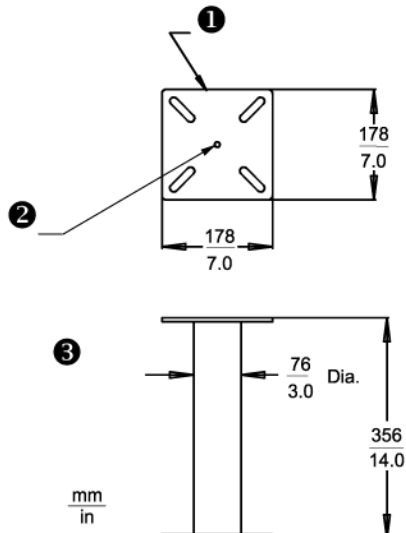
The LTC 9227/00 is an adjustable head bracket, designed for medium and heavy duty fixed camera installations. This easy-to-assemble bracket includes stainless steel assembly hardware and neoprene washers.

The LTC 9227/00 can be used with all mounts in this series. The LTC 9228/00 flange bracket is used to increase the weight distribution when the LTC 9216/00 or LTC 9222/00 wall mounts are required for use on insufficient load bearing surfaces.

The LTC 9225/00 pole mount is a mounting bracket designed to install LTC 9216/00 and LTC 9222/00 wall mounts to poles measuring 76 mm (3-inch) to 381 mm (15-inch) in diameter.

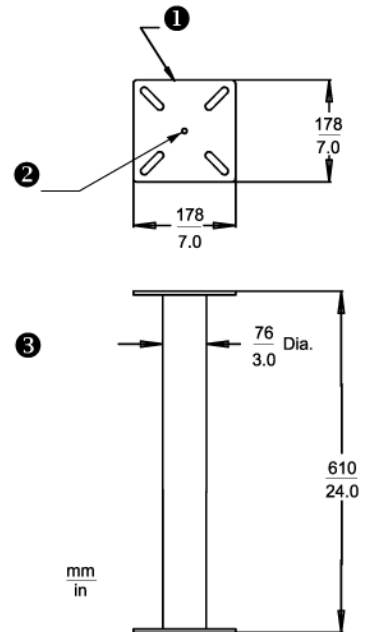
The LTC 9226/00 corner bracket is an adapter designed to install the LTC 9216/00 or LTC 9222/00 wall mounts to a building corner.

Installation/Configuration Notes



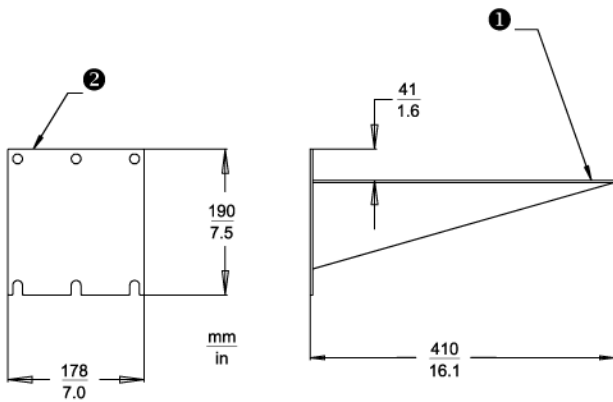
LTC 9214/00 14-inch Column Mount

- 1 Bolt Circle View same as wall mounts
- 2 1/4-20 Top and bottom
- 3 Side View



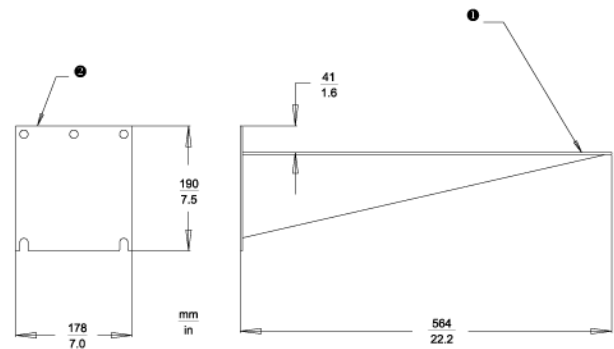
LTC 9224/00 16-inch Wall Mount

- 1 Bolt circle same as wall mount
- 2 1/4 -20 Top and Bottom
- 3 Side view



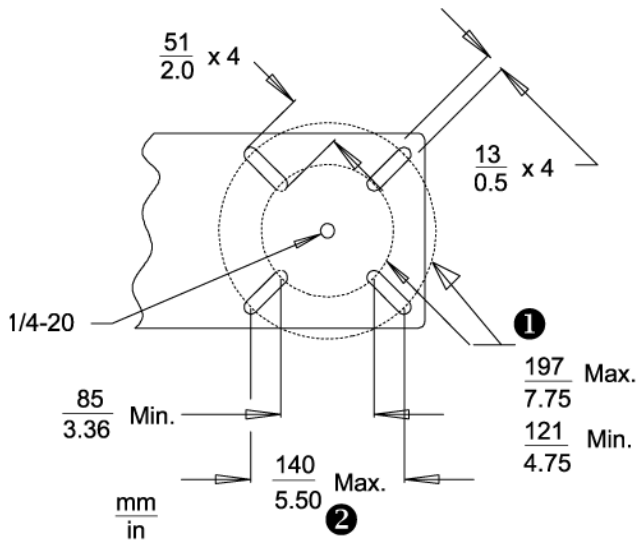
LTC 9216/00 14-inch Column Mount

- 1 See detail A for Top view of mounting pattern
- 2 SeeDetail B



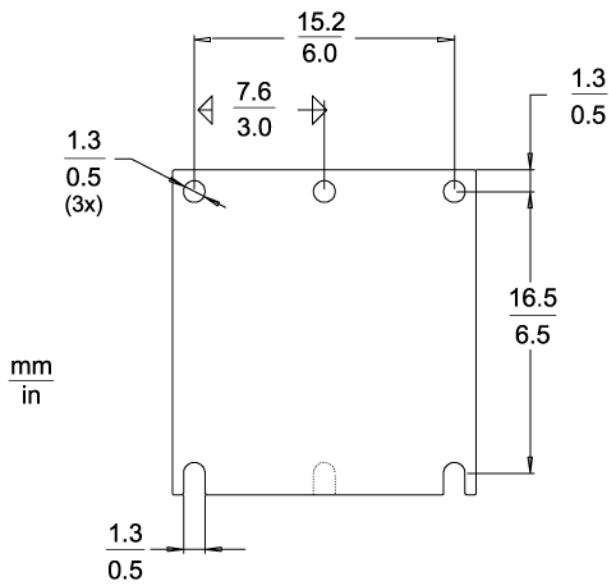
LTC 9222/00 22-inch Wall Mount

- 1 See detail A for top view of mounting pattern
- 2 See detail B

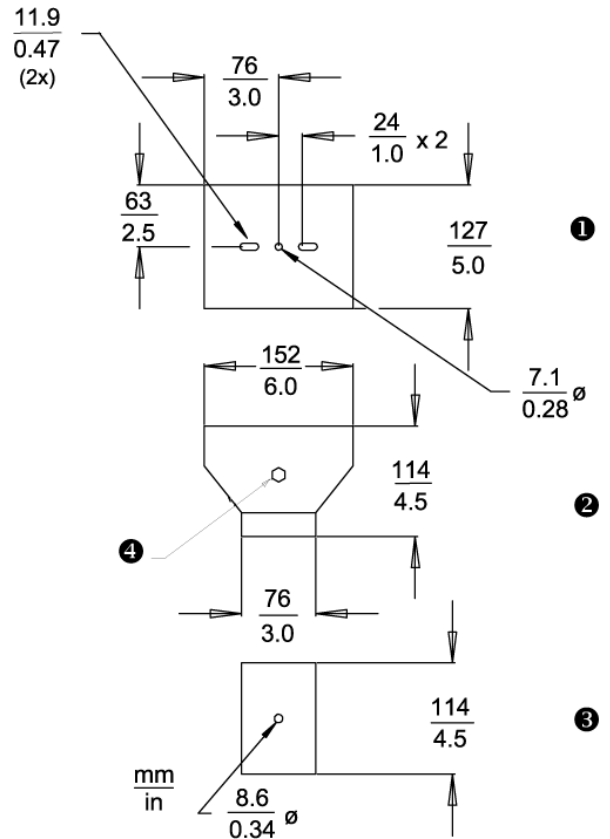


Detail A – LTC 9216/00 and LTC 9222/00 Bolt Circle Pattern

- 1 Mounting Bolt Circles
- 2 Bolt Squares

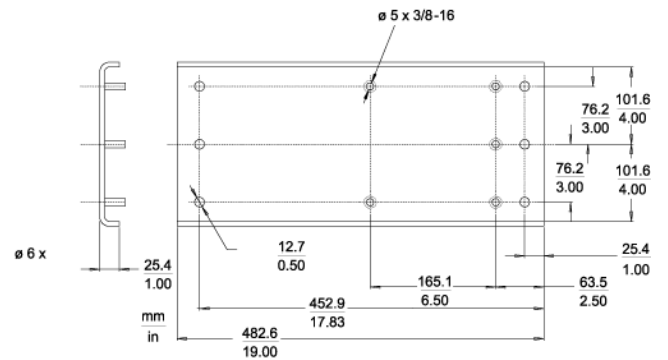


Detail B – LTC 9216 and LTC 9222/00 Wall Mount

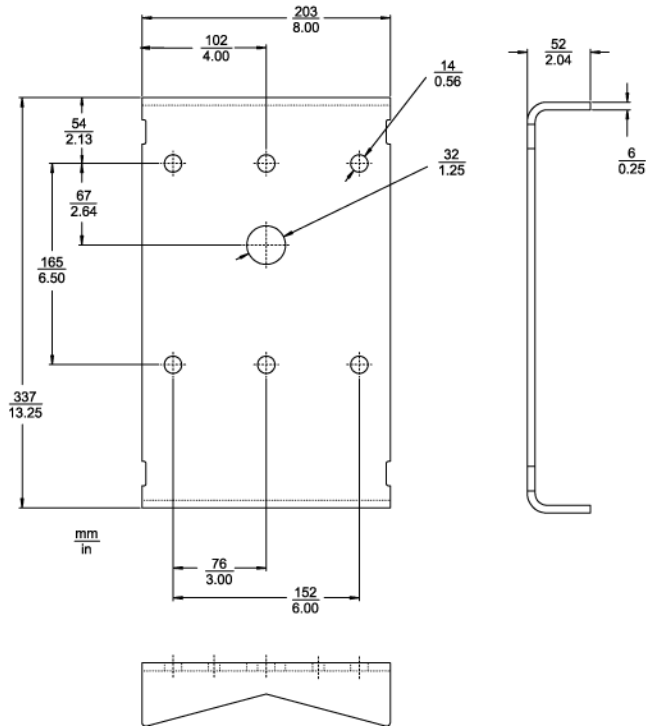


LTC 9227/00 Adjustable Head Mount

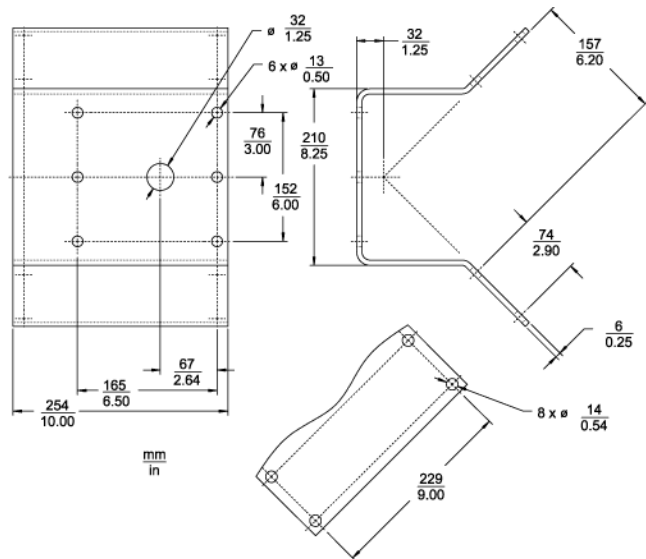
- 1 Top view
- 2 Side view
- 3 Bottom view
- 4 Tilt adjust



LTC 9228/00 Flange Bracket Mount



LTC 9225/00 Pole Mount



LTC 9226/00 Corner Bracket

Technical Specifications

LTC 9214/00 356 mm (14-inch) and LTC 9224/00 610 mm (24-inch)

Column Mounts	
Maximum Rated Load	
Upright	90.6 kg (200 lb)
Inverted	45.3 kg (100 lb)
Mounting Hardware	Not furnished
Finish	Light gray
Weight	
LTC 9214/00	2.3 kg (5.1 lb)
LTC 9224/00	3.3 kg (7.2 lb)

LTC 9216/00 409 mm (16-inch) and LTC 9222/00 564 mm (22-inch)

Wall Mounts	
Maximum Rated Load	
LTC 9216/00	45.3 kg (100 lb)
LTC 9222/00	90.6 kg (200 lb)
Mounting Hardware	Not furnished
Finish	Light gray
Weight	
LTC 9216/00	1.6 kg (3.5 lb)
LTC 9222/00	2.9 kg (6.5 lb)

Note Do Not Mount The LTC 9216/00 Or LTC 9222/00 Wall Mounts In An Inverted Position.

LTC 9227/00 Adjustable Head Mount

Maximum Rated Load	45.3 kg (100 lb)
Mounting Hardware	Not furnished
Finish	Light gray
Weight	0.55 kg (1.2 lb)

LTC 9228/00 Flange Bracket

Maximum Rated Load	45.3 kg (100 lb)
Mounting Hardware	(5) 3/8-16 x 1 1/4 studs, (5) 3/8 flat washers, and (5) 3/8-16 lock nuts
Finish	Light gray
Weight	2.1 kg (4.6 lb)

LTC 9225/00 Pole Mount

Maximum Rated Load	45.3 kg (100 lb)
Mounting Hardware	Two (2) 5 ft stainless steel straps, two (2) banding clips, six (6) hex head cap screws, six (6) flat and lock washers, and six (6) hex nuts furnished with unit
Accessory	TC9311PM3T strapping tool available
Finish	Light gray
Weight	1.4 kg (3.0 lb)

LTC 9226/00 Corner Bracket

Maximum Rated Load	45.3 kg (100 lb)
Mounting Hardware	Not furnished
Finish	Light gray
Weight	2.9 kg (6.5 lb)

Ordering Information

LTC 9214/00 Versatile Mount for 14-inch, 90.6 kg (200 lb) max load up- right, light gray finish	LTC9214/00
LTC 9224/00 Versatile Mount for 24-inch, 90.6 kg (200 lb) max load up- right, light gray finish	LTC9224/00
LTC 9216/00 Versatile Mount for 16-inch, 45,3 kg (100 lb) max load, light gray finish	LTC9216/00
LTC 9222/00 Versatile Mount for 22-inch, 90,6 kg (200 lb) max load, light gray finish	LTC9222/00
LTC 9227/00 Versatile Mount for LTC 9216 & 92220 , 45,3 kg (100 lb) max load, adjustable head, light gray finish	LTC9227/00
LTC 9228/00 Versatile Mount for LTC 9216/00 & LTC 9222/00 wall mounts, 45,3 kg (100 lb) max load, flange bracket	LTC9228/00
LTC 9225/00 Pole Mount 45,3 kg (100 lb) max load, pole mount, light gray finish	LTC9225/00
LTC 9226/00 Versatile Mount for LTC 9216 & LTC 9222, 45,3 kg (100 lb) max load, corner mount bracket, light gray finish	LTC9226/00

Europe, Middle East, Africa:
Bosch Security Systems B.V.
P.O. Box 80002
5600 JB Eindhoven, The Netherlands
Phone: + 31 40 2577 284
Fax: +31 40 2577 330
emea.securitysystems@bosch.com
www.boschsecurity.com

Americas:
Bosch Security Systems, Inc.
130 Perinton Parkway
Fairport, New York, 14450, USA
Phone: +1 800 289 0096
Fax: +1 585 223 9180
security.sales@us.bosch.com
www.boschsecurity.us

Asia-Pacific:
Bosch Security Systems Pte Ltd
38C Jalan Pemimpin
Singapore 577180
Phone: +65 6319 3450
Fax: +65 6319 3499
apr.securitysystems@bosch.com
www.boschsecurity.com

Represented by