

## Mini and VariDomes

- Full-featured, Fixed Cameras in a Cast Aluminum Alloy Housing and a 101 mm (4-inch) Polycarbonate Dome
- Endures the Equivalent of 120 lbs of Force
- Fixed or Varifocal Integrated Lenses
- For Use in Indoor and Outdoor Applications
- Standard or High Resolution Models
- Line-lock with Phase Adjustment



The Philips Phortress™ line of hardened Mini and VariDomes provides the ultimate solution for most any security application. Featuring a full-featured camera/lens combination in a cast aluminum housing (with the strength of 10 gauge steel) and polycarbonate dome, these units can withstand the equivalent of 120 lbs of force. As well, these units are sealed for outdoor use.

The Phortress MiniDome & VariDome series cover most camera/lens requirements. The Phortress MiniDome offers a 1/4-inch standard resolution monochrome or color camera with an integrated 3 or 6 mm fixed lenses. The Phortress VariDome includes a high-resolution color camera with an integrated 2.6–5.6 mm varifocal DC iris lens (see next page

for model mix). All versions accept both AC and DC voltages. If AC is employed, the user can take advantage of its line-locking and phase adjustment capabilities. Backlight compensation can also be adjusted on all Phortress models.

In addition to the above features, the Phortress series cameras come ready to use. They are configured for use with a single gang electrical box and can be wired through either the side or back of the housing via a standard 3/4-inch conduit opening. The Phortress's wide range of options make it an ideal replacement for traditional camera installations, while its sleek design and small, inconspicuous appearance allow for an attractive look that compliments most decors.

# SPECIFICATIONS

## Electrical

Model No.	Voltage Range	Systems	Power
LTC 1261/10	21 to 27 VAC or 11 to 13 VDC	PAL	2.7 W
LTC 1261/20	21 to 27 VAC or 11 to 13 VDC	NTSC	2.7 W
LTC 1162/10	12 to 28 VAC, 50 Hz or 11 to 36 VDC	CCIR	3 W
LTC 1163/10	12 to 28 VAC, 50 Hz or 11 to 36 VDC	CCIR	3 W
LTC 1162/20	12 to 28 VAC, 60 Hz or 11 to 36 VDC	EIA	3 W
LTC 1163/20	12 to 28 VAC, 60 Hz or 11 to 36 VDC	EIA	3 W
LTC 1262/10	12 to 28 VAC, 50 Hz or 11 to 36 VDC	PAL	3 W
LTC 1263/10	12 to 28 VAC, 50 Hz or 11 to 36 VDC	PAL	3 W
LTC 1262/20	12 to 28 VAC, 60 Hz or 11 to 36 VDC	NTSC	3 W
LTC 1263/20	12 to 28 VAC, 60 Hz or 11 to 36 VDC	NTSC	3 W

## Lens:

Model No.	Integral
LTC 1261 Series	Integral 2.6–5.6 mm varifocal
LTC 1162 & LTC 1262 Series	Integral 3 mm
LTC 1163 & LTC 1263 Series	Integral 6 mm

## Iris/Shutter:

Model No.	Iris	Electronic Shutter	Iris Range
LTC 1261 Series:	Auto DC Iris	----	f/2.0–200
LTC 1162/10	----	1/50 to 1/100,000 sec	f/2.0
LTC 1163/10	----	1/50 to 1/100,000 sec	f/2.0
LTC 1262/10	----	1/50 to 1/100,000 sec	f/2.0
LTC 1263/10	----	1/50 to 1/100,000 sec	f/2.0
LTC 1162/20	----	1/60 to 1/100,000 sec	f/2.0
LTC 1163/20	----	1/60 to 1/100,000 sec	f/2.0
LTC 1262/20	----	1/60 to 1/100,000 sec	f/2.0
LTC 1263/20	----	1/60 to 1/100,000 sec	f/2.0

**Imager:** Interline transfer CCD; 1/4-inch image format.

## Horizontal Resolution:

Model No.	Resolution
LTC 1261 Series	480 TVL, high resolution, color
LTC 1162 Serie	380 TVL, standard resolution, monochrome
LTC 1163 Series	380 TVL, standard resolution, monochrome
LTC 1262 Series	330 TVL, standard resolution, color
LTC 1263 Series	330 TVL, standard resolution, color

## Sensitivity (3200 K):

Model No.	Scene Illumination:	Minimum Scene Illumination
LTC 1261 Series	fc	0.5
	lx	5
LTC 1162 & LTC 1163 Series	fc	0.04
	lx	0.4
LTC 1262 & LTC 1263 Series	fc	0.4
	lx	4

f/2, 89% reflection, 501RE.

## Signal-to-noise Ratio:

LTC 116x Series & LTC 1261 Series: 48 dB.  
LTC 126x Series: 50 dB.

## White Balance (Color Models Only):

Automatic Sensing through the Lens (TTL System):  
LTC 116x & LTC 126x Series: ∪ 2700 K to 900 K.  
LTC 1261 Series: Continuous or hold.

**Video Output:** 1.0 Vp-p, 75 ohm.

## Synchronization:

**Line-lock (When powered by AC):** Synchronizes camera to power line zero crossing for roll-free vertical interval switching. Vertical phase delay can be externally adjusted (continuously) to allow vertical synchronization in multiphase power installations.

**Crystal-lock (When DC Supplied):** Internal crystal reference is standard on all models.

## Controls:

For LTC 1261 Series Only:

Automatic Gain Control (AGC): On/off.

Gamma: 0.6/1.0.

Automatic White Balance (AWB): Continuous/Hold.

For All Models:

Backlight Compensation (BLC): On/off.

## Connectors:

Video Out: BNC.

Power: Stripped Leads.

## Mechanical

**Cable Entry:** Through side or back 3/4-in conduit knockout.

**Mounting:** On wall or ceiling using up to four #10 screws.

**Construction/Finish:** Polycarbonate dome on custom cast aluminum housing.

**Dimensions:** 4.5 H × 6.0 W in.

**Weight:** 3.1 lb.

## Environmental

### Temperature:

Operating: -40 °C to +50 °C (-40 °F to +122 °F).

Storage: -40 °C to +50 °C (-40 °F to +122 °F).

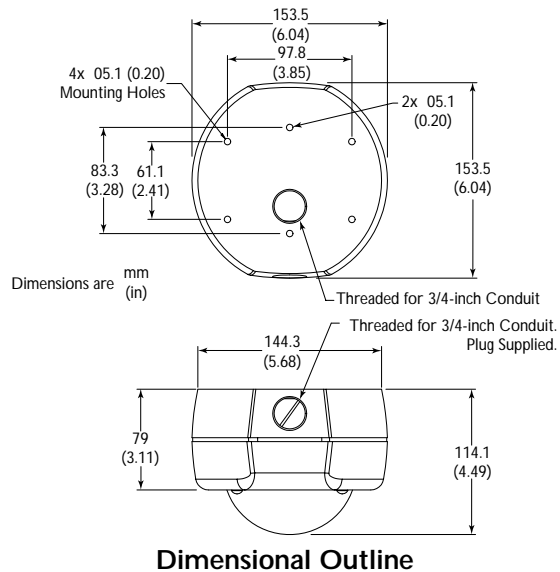
**Humidity:** 0% to 90% relative, noncondensing.

**Protection Level:** IP 65.

## Electromagnetic Compatibility

**EMC Requirements:** CD Immunity, FCC Class A.

**Safety:** UL, cUL, CE.



# PHILIPS

*Let's make things better.*