


BOSCH

Invented for life

EXPB-3W-KIT Camera and IR Illuminator Wall-mount Kit

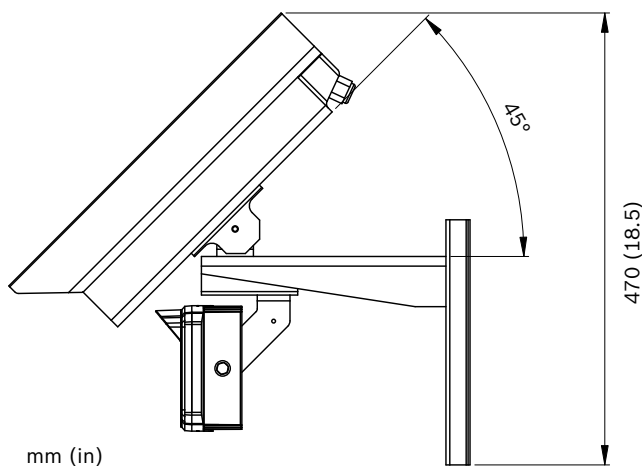


- ▶ Pan/Tilt adjustable camera housing
- ▶ Thick cast aluminum construction
- ▶ Tough 4-bolt anchor

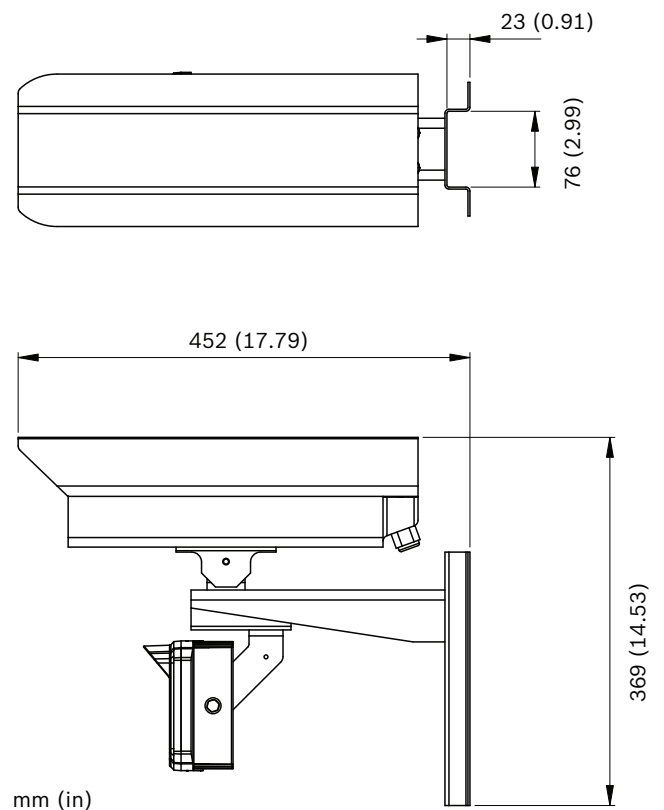
The EXPB-3W is a heavy-duty IR illuminator wall mount bracket kit complete with camera housing. It is designed for rugged outdoor applications. The thick cast aluminum construction is extremely durable and tough. Its versatile design means that it is compatible with AEGIS UFLED and AEGIS SuperLED Illuminators.

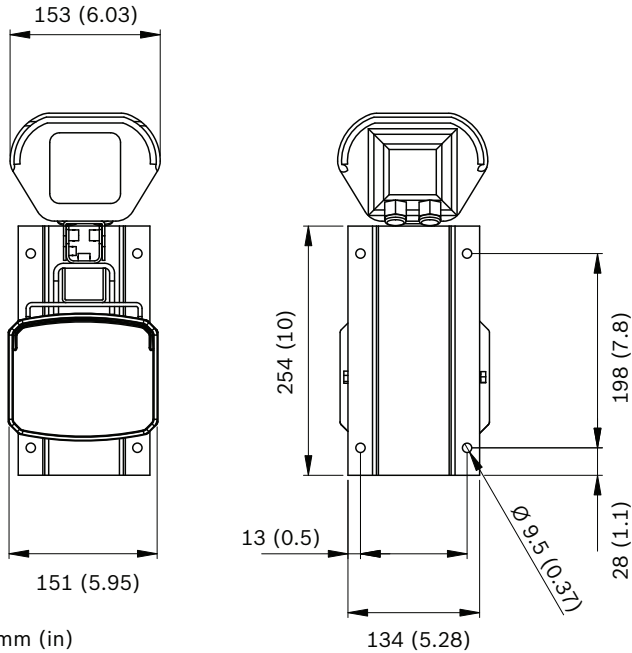
Installation/Configuration Notes

Dimensions



Camera housing tilted to maximum elevation.





mm (in)

(Illuminator is not included with the kit.)

Applications



Bracket with AEGIS UFLED mounted (illuminator is not included with bundle).



Bracket with AEGIS SuperLED mounted (illuminator is not included with bundle).

Technical Specifications

| | |
|--------------|------------------|
| Construction | Cast aluminum |
| Finish | Black |
| Weight | 2.25 kg (5.0 lb) |

Ordering Information

| | |
|---|--------------------|
| EXPB-3W-KIT Camera and IR Illuminator Wall-mount Kit | EXPB-3W-KIT |
| Wall-mount kit including camera housing for IR Illuminators | |

Americas:
 Bosch Security Systems, Inc.
 130 Perinton Parkway
 Fairport, New York, 14450, USA
 Phone: +1 800 289 0096
 Fax: +1 585 223 9180
 security.sales@us.bosch.com
 www.boschsecurity.us

Europe, Middle East, Africa:
 Bosch Security Systems B.V.
 P.O. Box 80002
 5600 JB Eindhoven, The Netherlands
 Phone: +31 40 2577 284
 Fax: +31 40 2577 330
 emea.securitysystems@bosch.com
 www.boschsecurity.com

Asia-Pacific:
 Robert Bosch (SEA) Pte Ltd, Security Systems
 11 Bishan Street 21
 Singapore 573943
 Phone: +65 6258 5511
 Fax: +65 6571 2698
 apr.securitysystems@bosch.com
 www.boschsecurity.com

Represented by