

EXPB-3-W-KIT Camera and IR Illuminator Wall-mount Kit

www.boschsecurity.com



BOSCH
Invented for life

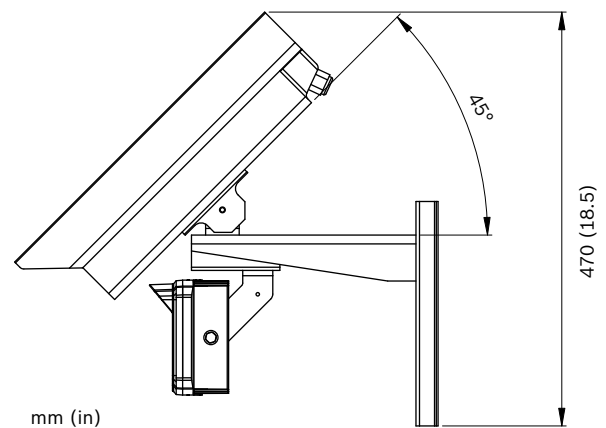


- ▶ Pan/Tilt adjustable camera housing
- ▶ Thick cast aluminum construction
- ▶ Tough 4-bolt anchor

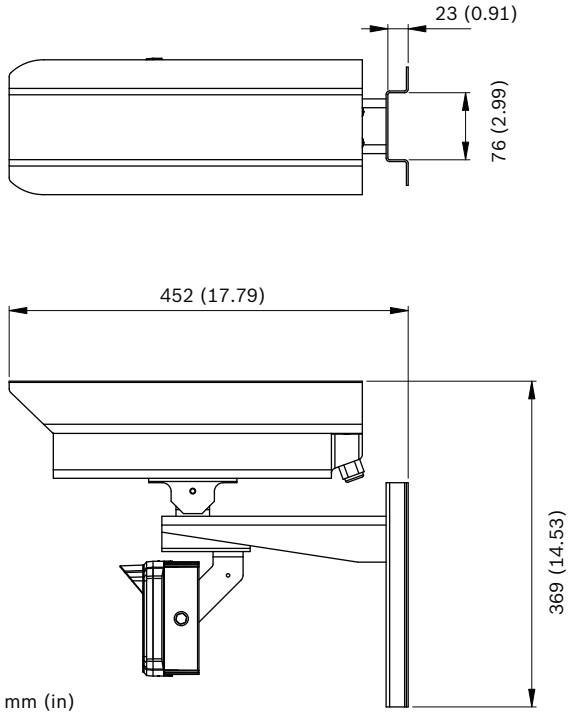
The EXPB-3W is a heavy-duty IR illuminator wall mount bracket kit complete with camera housing. It is designed for rugged outdoor applications. The thick cast aluminum construction is extremely durable and tough. Its versatile design means that it is compatible with AEGIS UFLED and AEGIS SuperLED Illuminators.

Installation/configuration notes

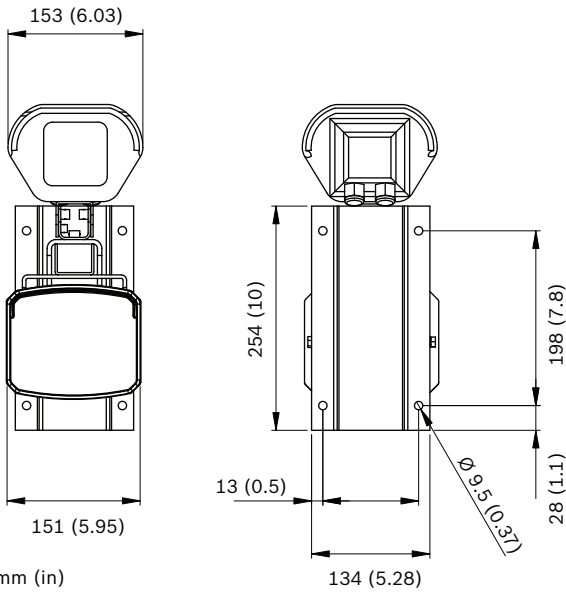
Dimensions



Camera housing tilted to maximum elevation.



mm (in)



mm (in)

(Illuminator is not included with the kit.)

Applications



Bracket with AEGIS UFLED mounted (illuminator is not included with bundle).



Bracket with AEGIS SuperLED mounted (illuminator is not included with bundle).

Technical specifications

Construction	Cast aluminum
Finish	Black
Weight	2.25 kg (5.0 lb)

Ordering information

EXPB-3-W-KIT Camera and IR Illuminator Wall-mount Kit
Wall-mount kit including camera housing for IR
Illuminators
Order number **EXPB-3-W-KIT**

Represented by:

Americas:

Bosch Security Systems, Inc.
130 Perinton Parkway
Fairport, New York, 14450, USA
Phone: +1 800 289 0096
Fax: +1 585 223 9180
security.sales@us.bosch.com
www.boschsecurity.us

Europe, Middle East, Africa:

Bosch Security Systems B.V.
P.O. Box 80002
5617 BA Eindhoven, The Netherlands
Phone: + 31 40 2577 284
Fax: +31 40 2577 330
emea.securitysystems@bosch.com
www.boschsecurity.com

Asia-Pacific:

Robert Bosch (SEA) Pte Ltd, Security
Systems
11 Bishan Street 21
Singapore 573943
Phone: +65 6571 2808
Fax: +65 6571 2699
apr.securitysystems@bosch.com
www.boschsecurity.asia

China:

Bosch (Shanghai) Security Systems Ltd.
201 Building, No. 333 Fuquan Road
North IBP
Changning District, Shanghai
200335 China
Phone +86 21 22181111
Fax: +86 21 22182398
www.boschsecurity.com.cn

America Latina:

Robert Bosch Ltda Security Systems Division
Via Anhanguera, Km 98
CEP 13065-900
Campinas, Sao Paulo, Brazil
Phone: +55 19 2103 2860
Fax: +55 19 2103 2862
latam.boschsecurity@bosch.com
www.boschsecurity.com