


BOSCH

Invented for life

EX36 Corner-mount No-grip Camera



- ▶ **Patented No-Grip anchor-free design**
- ▶ **Perfectly flush fit into corners**
- ▶ **Complete coverage of a 4.5 x 4.5 m (15 x 15 ft) room**
- ▶ **Designed for maximum safety**
- ▶ **Compact, tamper- and vandal-resistant**

The EX36 is a vandal-resistant corner camera featuring anchor-free No-Grip design. The EX36 has no anchor points for maximum safety in environments with at-risk individuals. The innovative design allows a perfectly flush fit into the corner of a room that protects against even the most brutal attempt to destroy, detach or disable the camera. The sharp 45° angle hides all wiring and delivers complete coverage of the entirety of a 4.5 x 4.5 m (15 x 15 ft) room, including below the camera itself. Available with optional microphone.

CSA C22.2 No 0-M1991
 CSA C22.2 No 1-M94
 CSA C22.2 No 94-M91
 UL Std No 50
 UL Std No 2044
 FCC PART 15 Class A

General Elec. Rqts, Part II
 Audio, Video and Similar Equip.
 Special Purpose Enclosures
 Enclosures for Elec. Equipment
 Commercial CCTV Equipment

Functions

Applications

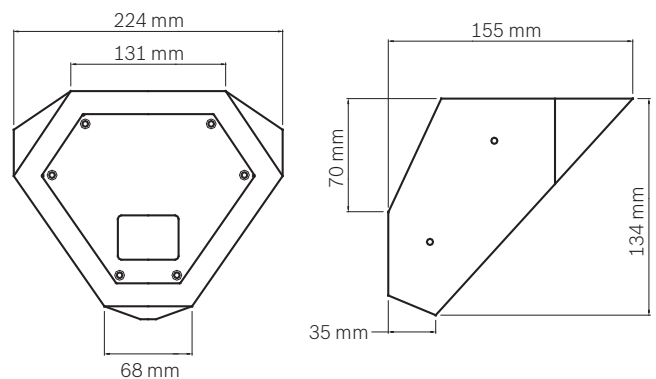
- Prison cells
- Hospital recovery rooms
- Psychiatric care rooms
- Vandal-prone areas
- Sleep research

Certifications and Approvals

Region	Certification
Europe	CE

Installation/Configuration Notes

Dimensions



Technical Specifications

Color Cameras

CCD	C7 High Resolution Color
Image Sensor	1/3 in Interline SuperHAD
Resolution	500 TVL
Effective Pixels	NTSC: 768 x 494 (HxV) PAL: 752 x 582 (HxV)
Sensitivity	2.7 lux at F1.4
S/N Ratio	Greater than 48 dB

All Versions

Video Output	1 Vpp, 75 ohm
Electronics Iris	1/60 to 1/100,000 (NTSC) 1/50 to 1/100,000 (PAL)
Voltage Supply	12 to 24 VAC or VDC
Power Consumption	120 mA at 12 VDC, 1.4 W (max)
Dome Construction	Steel / Painted flush removable front panel with security screws
Window	1/4 in LEXAN
Dimensions	224 x 134 x 155 mm 8.8 x 5.3 x 6.1 in
Weight	0.61 kg (1.3lb)
Operation Temperature Range	-50 °C to +50 °C (-58 °F to 122 °F)
Microphone Frequency Response	20 Hz to 10 kHz
Microphone Sensitivity	68 dB +/-3 dB
Microphone Output	3.2 Vpp / 750 Ohm; bare leads

Ordering Information

EX36C702W-N Corner-mount No-grip Camera 1/3 in. hi-res color, 500TVL, 2.5 mm lens, NTSC	EX36C702W-N
EX36C702W-P Corner-mount No-grip Camera 1/3 in. hi-res color, 500TVL, 2.5 mm lens, PAL	EX36C702W-P
EX36C704W-N Corner-mount No-grip Camera 1/3 in. hi-res color, 500 TVL, 3.6 mm lens, NTSC	EX36C704W-N
EX36C704W-P Corner-mount No-grip Camera 1/3 in. hi-res color, 500 TVL, 3.6 mm lens, PAL	EX36C704W-P

Ordering Information

EX36C702WM-N Corner-mount No-grip Camera 1/3 in. hi-res color, 500TVL, 2.5 mm lens, NTSC, microphone	EX36C702WM-N
--	---------------------

EX36C702WM-P Corner-mount No-grip Camera 1/3 in. hi-res color, 500TVL, 2.5 mm lens, PAL, microphone	EX36C702WM-P
---	---------------------

EX36C704WM-N Corner-mount No-grip Camera 1/3 in. hi-res color, 500TVL, 3.6 mm lens, NTSC, microphone	EX36C704WM-N
--	---------------------

EX36C704WM-P Corner-mount No-grip Camera 1/3 in. hi-res color, 500TVL, 3.6 mm lens, PAL, microphone	EX36C704WM-P
---	---------------------

Accessories

EX36RWC Replacement window EX36 Replacement Polycarbonate window, camera	EX36RWC
--	----------------

UPA-2430-60 Power Supply 120 VAC, 60 Hz, 24 VAC, 30 VA Out	UPA-2430-60
--	--------------------

UPA-2420-50 Power Supply 220 VAC, 50 Hz, 24 VAC, 20 VA Out	UPA-2420-50
--	--------------------

Americas:
Bosch Security Systems, Inc.
130 Perinton Parkway
Fairport, New York, 14450, USA
Phone: +1 800 289 0096
Fax: +1 585 223 9180
security.sales@us.bosch.com
www.boschsecurity.us

Europe, Middle East, Africa:
Bosch Security Systems B.V.
P.O. Box 80002
5600 JB Eindhoven, The Netherlands
Phone: +31 40 2577 284
Fax: +31 40 2577 330
emea.securitysystems@bosch.com
www.boschsecurity.com

Asia-Pacific:
Robert Bosch (SEA) Pte Ltd, Security Systems
11 Bishan Street 21
Singapore 573943
Phone: +65 6258 5511
Fax: +65 6571 2698
apr.securitysystems@bosch.com
www.boschsecurity.com