



# EX36 Corner-Mount No-Grip Camera



- ▶ **Patented No-Grip anchor-free design**
- ▶ **Perfectly flush fit into corners**
- ▶ **Complete coverage of a 4.5 x 4.5 m (15 x 15 ft) room**
- ▶ **Designed for maximum safety**
- ▶ **Compact, tamper- and vandal-resistant**

The EX36 is a vandal-resistant corner camera featuring anchor-free No-Grip design. The EX36 has no anchor points for maximum safety in environments with at-risk individuals. The innovative design allows a perfectly flush fit into the corner of a room that protects against even the most brutal attempt to destroy, detach or disable the camera. The sharp 45° angle hides all wiring and delivers complete coverage of the entirety of a 4.5 x 4.5 m (15 x 15 ft) room, including below the camera itself.

## Functions

### Applications

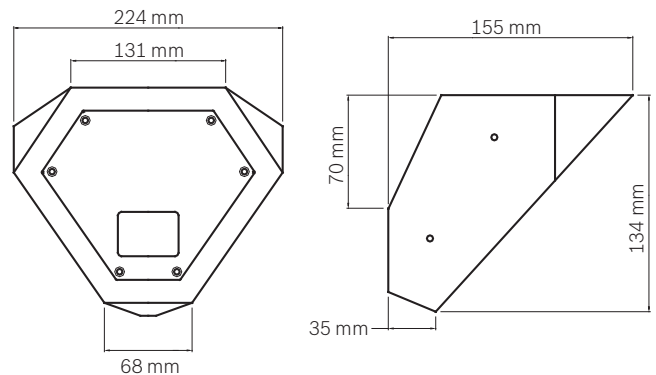
- Prison cells
- Hospital recovery rooms
- Psychiatric care rooms
- Vandal-prone areas
- Sleep research

## Certifications and Approvals

CSA C22.2 No 0-M1991	General Elec. Rqts, Part II
CSA C22.2 No 1-M94	Audio, Video and Similar Equip.
CSA C22.2 No 94-M91	Special Purpose Enclosures
UL Std No 50	Enclosures for Elec. Equipment
UL Std No 2044	Commercial CCTV Equipment

## Installation/Configuration Notes

### Dimensions



## Technical Specifications

### Color Cameras

CCD	C7 High Resolution Color
Image Sensor	1/3 in Interline SuperHAD
Resolution	480 TVL
Effective Pixels	NTSC: 768 x 494 (HxV)
	PAL: 752 x 582 (HxV)
Sensitivity	2.7 lux at F1.4
S/N Ratio	Greater than 48 dB

**All Versions**

Video Output	1 Vpp, 75 ohm
Electronics Iris	1/60 to 1/100,000 (NTSC) 1/50 to 1/100,000 (PAL)
Voltage Supply	12 to 24 VAC or VDC
Power Consumption	120 mA at 12 VDC, 1.4 W (max)
Dome Construction	Steel / Painted flush removable front panel with security screws
Window	1/4 in LEXAN
Dimensions	224 x 134 x 155 mm 8.8 x 5.3 x 6.1 in
Weight	0.61 kg (1.3lb)
Operation Temperature Range	-50 °C to +50 °C (-58 °F to 122 °F)

**Ordering Information**

**EX36C702W-N Corner-Mount No-Grip Camera**      **EX36C702W-N**

Color 1/3 in CCD 480 TVL BLC 12/24 VRB,  
2.5 mm lens, NTSC (no infrared)

**EX36C702W-P Corner-Mount No-Grip Camera**      **EX36C702W-P**

Color 1/3 in CCD 480 TVL BLC 12/24 VRB,  
2.5 mm lens, PAL (no infrared)

**Accessories**

**EXPS.004 VDC Power Supply**      **EXPS.004**

Power Supply, 120 VDC/24 VDC, 1000 mA,  
w/ 2.1 mm C+ jack

**EXAM100 Microphone**      **EXAM100**

Microphone accessory for EX36

**Americas:**  
Bosch Security Systems, Inc.  
130 Perinton Parkway  
Fairport, New York, 14450, USA  
Phone: +1 800 289 0096  
Fax: +1 585 223 9180  
security.sales@us.bosch.com  
www.boschsecurity.us

**Europe, Middle East, Africa:**  
Bosch Security Systems B.V.  
P.O. Box 80002  
5600 JB Eindhoven, The Netherlands  
Phone: + 31 40 2577 284  
Fax: +31 40 2577 330  
emea.securitysystems@bosch.com  
www.boschsecurity.com

**Asia-Pacific:**  
Bosch Security Systems Pte Ltd  
38C Jalan Pemimpin  
Singapore 577180  
Phone: +65 6319 3450  
Fax: +65 6319 3499  
apr.securitysystems@bosch.com  
www.boschsecurity.com

**Represented by**