

EX27D Desert Cameras

www.boschsecurity.com



BOSCH

Invented for life



- ▶ Optimized and tested for hot desert conditions to 65°C (149°F)
- ▶ Reflective sun hood prevents glare in sunny conditions
- ▶ Weather-sealed housing, dust-tight and sandstorm-ready
- ▶ Exceptional daytime color reproduction and outstanding night-time performance under infrared
- ▶ Easy access lens and camera OSD adjustments

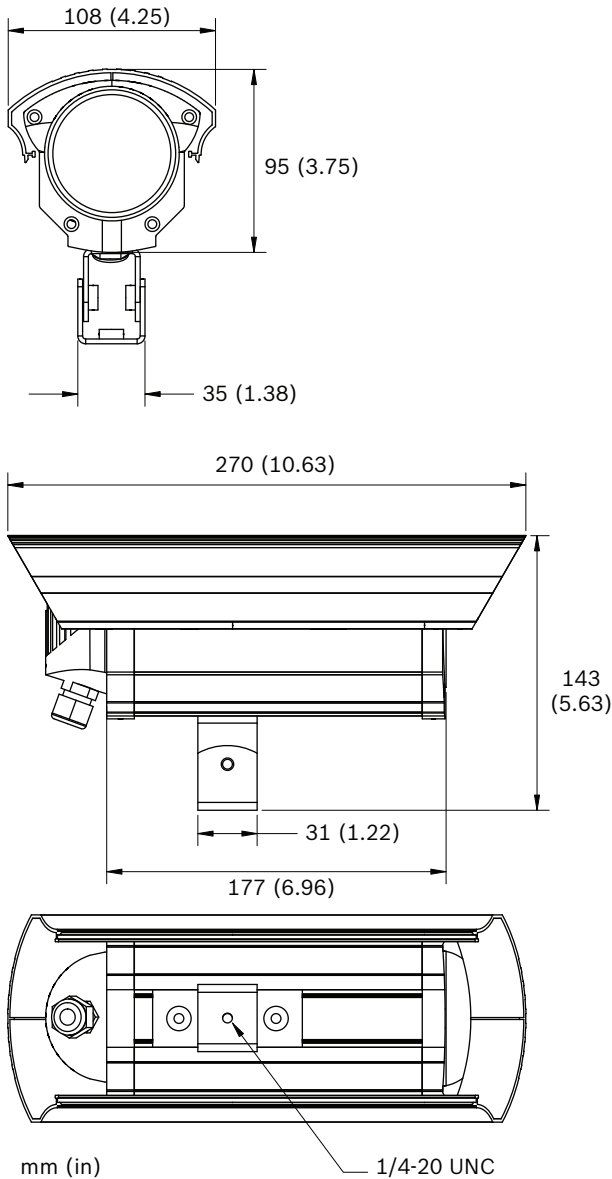
The EX27D is specifically designed for day/night surveillance in hot, dusty, desert conditions. An optimized heat-sinking design protects the camera from internal overheating caused by solar heat gain. The EX27D delivers reliable performance to 65°C (149°F).

The EX27D Desert camera incorporates MFP (Mechanical Filter with Photocell) technology. Using dual-window mechanical filter technology, the EX27D delivers accurate color during the day and outstanding infrared sensitivity at night.

The EX27D CCD technology provides outstanding spectral response in both visible and near-infrared regions. The high-resolution sensor has low-smear, low-streak and excellent anti-blooming characteristics. Using minimal mechanical moving parts, the EX27D is weather sealed and tested to perform in hot desert conditions. Combined with infrared illuminators, the EX27D is ideal for day and night surveillance in desert and tropical environments.

Installation/configuration notes

Dimensions



Technical specifications

Video

Sensor	MX4 Hi-Res Extended Day/Night CCD
Filter	Dual-window mechanical type, IR Pass / IR Cut
Day-Night Switching	Photocell-controlled, automatic
Photocell	Automatic, sensitivity adjustable
Controls	OSD with joystick operation
Resolution	540 TVL color / 540 TVL monochrome
Effective Pixels NTSC (H x V)	768 x 494

Effective Pixels PAL (H x V)	752 x 582
Varifocal Lens Options	Varifocal auto-iris 5-50 mm IR-corrected lens
Signal Processing	Digital Signal Processing (DSP)
Output Signal	1 Vpp composite video, 75 ohm
Daytime Sensitivity	0.02 Lux with F1.4 lens
Night-Time Sensitivity	0 lux with infrared (B/W)
Electronics Iris	1/60 to 1/100,000 (NTSC) 1/50 to 1/100,000 (PAL)
S/N Ratio	Greater than 48 dB (AGC off)
Gamma	0.45
Gain Control	AGC

Mechanical

Construction	Robust aluminum casting / extrusion
Weight	1.4 kg (3.1 lbs)
Overall Dimension (H x W x D)	89 x 91 x 222 mm (3.5 x 3.6 x 8.7 in.)
Finish	White powder-coated finish
Mount	Double U-mount supplied with 1/4 in.-20
Sun hood	included

Electrical

Voltage	12 to 24 AC/DC
Consumption	4.5 W max
Connection	2.0 m (6.5 ft) composite cable for power and video

Environmental

Operational Temperature	-50°C to +65°C (-58°F to +149°F)
Storage Temperature	-50°C to +80°C (-58°F to +176°F)
Environment	IP66/NEMA 4X compliant

Ordering information

EX27DMX4V0550W-N Desert Series Camera

Desert cam, 1/3 in. extended day/night, 5-50 mm lens, NTSC, white
Order number **EX27DMX4V0550W-N**

EX27DMX4V0550W-P Desert Series Camera

Desert cam, 1/3 in. extended day/night, 5-50 mm lens, PAL, white
Order number **EX27DMX4V0550W-P**

Accessories

EXPS.008 VAC Power Supply

Power supply 120 VAC/ 24 VAC 1500 mA
Order number **EXPS.008**

EXMB.015W Pole Mount Adapter

Pole Mount Adapter, White
Order number **EXMB.015w**

EXMB.017W Wall Mount Adapter Bracket

Wall Mount Adapter, White
Order number **EXMB.017W**

EXMB.020W Heavy Duty L-Bracket

Heavy Duty L-Bracket, White
Order number **EXMB.020w**

EXMB.023W Wall Bracket

Wall Bracket, White
Order number **EXMB.023W**

PSU-230-24 Power Supply

Power Supply, 230 VAC / 24 VAC, 50 W
Order number **PSU-230-24**

MBE-27W White Bracket Arm Mount

White mounting bracket for use with an EX27 Series All-Weather Camera
Order number **MBE-27W**

MBE-15W White Pole Mount Adapter Plate

White adapter plate used to attach a DINION capture 5000/7000, an MBE-27, or an MBE-28 to a pole (also compatible with an EXMB.020B Heavy Duty L Bracket)
Order number **MBE-15W**

MBE-17W White Wall Mount Adapter Plate

White adapter plate used to attach a DINION capture 5000/7000, an MBE-27, or an MBE-28 to a wall (also compatible with an EXMB.020B Heavy Duty L Bracket)
Order number **MBE-17W**

Represented by:

Americas:

Bosch Security Systems, Inc.
130 Perinton Parkway
Fairport, New York, 14450, USA
Phone: +1 800 289 0096
Fax: +1 585 223 9180
security.sales@us.bosch.com
www.boschsecurity.us

Europe, Middle East, Africa:

Bosch Security Systems B.V.
P.O. Box 80002
5617 BA Eindhoven, The Netherlands
Phone: + 31 40 2577 284
Fax: +31 40 2577 330
emea.securitysystems@bosch.com
www.boschsecurity.com

Asia-Pacific:

Robert Bosch (SEA) Pte Ltd, Security Systems
11 Bishan Street 21
Singapore 573943
Phone: +65 6571 2808
Fax: +65 6571 2699
apr.securitysystems@bosch.com
www.boschsecurity.asia

China:

Bosch (Shanghai) Security Systems Ltd.
201 Building, No. 333 Fuquan Road
North IBP
Changning District, Shanghai
200335 China
Phone +86 21 22181111
Fax: +86 21 22182398
www.boschsecurity.com.cn

America Latina:

Robert Bosch Ltda Security Systems Division
Via Anhanguera, Km 98
CEP 13065-900
Campinas, Sao Paulo, Brazil
Phone: +55 19 2103 2860
Fax: +55 19 2103 2862
latam.boschsecurity@bosch.com
www.boschsecurity.com