



EX14 Extreme Environment Camera



- ▶ **Weatherproof and insulated for hot and cold environments**
- ▶ **Installer-friendly, easy-access camera compartment**
- ▶ **Extreme weather sealed, waterproof and IP66 compliant**
- ▶ **Reduced power consumption, no requirement for internal heater or fan**
- ▶ **Varifocal 4-9 mm or 9-22 mm auto-iris lenses**
- ▶ **Operating temperature range from -60°C to +60°C**

The EX14 is an all-environment camera for harsh weather applications. The simple, effective design allows performance in the most challenging of environmental conditions, including wash-down facilities, corrosive environments and sub-zero temperatures. The housing is compact, yet large enough for a 9-22 mm varifocal lens and mechanical filter imaging technology.

Made of an injection-molded ABS/Nylon resin, the EX14 is engineered specifically to withstand hot, cold and wet environments. An insulated enclosure eliminates the requirement for internal heaters and blowers. Compliant to IP66, the EX14 also features an easy-access camera compartment for easy camera adjustments and installation.

The EX14 is available with varifocal 4-9 mm or 9-22 mm auto-iris lenses and comes complete with a nylon wall bracket for quick and easy installation.

Applications

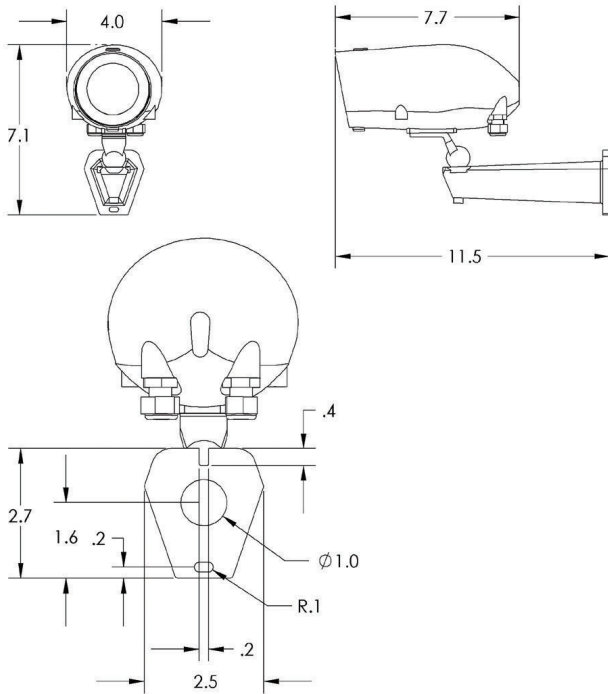
- Wash down applications
- Food processing
- Acid / alkali environment
- Sewage treatment plants
- Sub-zero weather applications
- Coastal environments
- Ports and harbors
- Industrial freezers and refrigerators
- Oil rigs
- Cruise ships

Functions

The camera features:

- Weatherproof, IP66 compliant design for reliable performance in the harshest environments
- Insulated body for performance in extreme hot, cold or wet environments
- Installer-friendly, easy-access optical compartment
- Varifocal 4 to 8 mm or 9 to 12 mm auto-iris lens

Installation/Configuration Notes



Technical Specifications

C7 Hi-Res Color

Image Sensor	1/3 in. Interline SuperHAD
Resolution	500 TVL
Effective Pixels NTSC	768 (H) x 494 (V)
Effective Pixels PAL	768 (H) x 494 (V)
Sensitivity	2.7 Lux at F1.4
S/N Ratio	Greater than 48dB

MX4 Extended Day/Night

Image Sensor	1/3 in. LXR CCD
Resolution	540TVL color / 540TVL monochrome
Effective Pixels NTSC	768 (H) x 494 (V)
Effective Pixels PAL	752 (H) x 582 (V)
Sensitivity	0.02 Lux with F1.4 lens
S/N Ratio	Greater than 48dB

All Cameras

Video Output	1 Vpp, 75 ohm
Gamma	0.45
Gain Control	AGC (with on/off switch)
Electronics Iris	1/60 to 1/100,000 (NTSC) 1/50 to 1/100,000 (PAL)

Voltage Supply	12 to 24 AC/DC
Power Consumption	2 W or less
Internal Heater / Cooler	Not Required
Window	Flame resistant VO-Margard; 50 mm (2.0 in)
Wall Bracket	Included
Color	Black standard (white available by special order)
External Dimensions	180 x 85 x 85 mm (L x W x H) 7.1 x 3.3 x 3.3 in (L x W x H)
Window Diameter	50 mm (2.0 in)
Weight	0.7 kg (1.5lb) bracket included
Operation Temperature Range	-60°C to +60°C (-76°F to +140°F)
Environmental	IP66 compliant

Ordering Information

EX14MX4V0408B-N Extreme Environment Camera 1/3 in. extended day/night, 540/540 TVL, 4-9 mm lens, NTSC	EX14MX4V0408B-N
EX14MX4V0408B-P Extreme Environment Camera 1/3 in. extended day/night, 540/540 TVL, 4-9 mm lens, PAL	EX14MX4V0408B-P
EX14MX4V0922B-N Extreme Environment Camera 1/3 in. extended day/night, 540/540 TVL, 9-22 mm lens, NTSC	EX14MX4V0922B-N
EX14MX4V0922B-P Extreme Environment Camera 1/3 in. extended day/night, 540/540 TVL, 9-22 mm lens, PAL	EX14MX4V0922B-P
EX14C7V0409B-N Extreme Environment Camera 1/3 in. hi-res color, 500 TVL, 4-9 mm lens, NTSC	EX14C7V0409B-N
EX14C7V0922B-N Extreme Environment Camera 1/3 in. hi-res color, 500TVL, 9-22 mm lens, NTSC	EX14C7V0922B-N
EX14C7V0409B-P Extreme Environment Camera 1/3 in. hi-res color, 500 TVL, 4-9 mm lens, PAL	EX14C7V0409B-P
EX14C7V0922B-P Extreme Environment Camera 1/3 in. hi-res color, 500 TVL, 9-22 mm lens, PAL	EX14C7V0922B-P

Accessories

PSU-230-24 Power Supply Power Supply, 230 VAC / 24 VAC, 50 W	PSU230-24
EXPS.008 VAC Power Supply Power supply 120 VAC/ 24 VAC 1500 mA	EXPS.008

Americas:
Bosch Security Systems, Inc.
130 Perinton Parkway
Fairport, New York, 14450, USA
Phone: +1 800 289 0096
Fax: +1 585 223 9180
security.sales@us.bosch.com
www.boschsecurity.us

Europe, Middle East, Africa:
Bosch Security Systems B.V.
P.O. Box 80002
5600 JB Eindhoven, The Netherlands
Phone: + 31 40 2577 284
Fax: +31 40 2577 330
emea.securitysystems@bosch.com
www.boschsecurity.com

Asia-Pacific:
Robert Bosch (SEA) Pte Ltd, Security Systems
38C Jalan Pemimpin
Singapore 577180
Phone: +65 6319 3453
Fax: +65 6319 3499
apr.securitysystems@bosch.com
www.boschsecurity.com

Represented by