

- 1/3" SONY MEGAPIXEL PROGRESSIVE SENSOR
- 900 TVL RESOLUTION
- VARIFOCAL LENS 2.8mm-12mm, IR Corrected
- 0,01 LUX (AGC On, IE Off)
- EXTENDED DYNAMIC RANGE
- IMPACT RESISTANT



With simplicity comes sophistication – The **Raphael** series brings the beauty of true high definition video into the world of analog camera technology.

The **Raphael series** embodies superb clarity and the highest visual achievement possible in video surveillance. Powered by a 1/3" Sony Megapixel Progressive Image Sensor and our new "Raphael" DSP, these cameras produce an astonishing 900TVL resolution with unmatched color reproduction. Bring any environment to life with more pixel density than ever before, allowing users to see even the smallest details. Enhanced 3D noise reduction and an extended dynamic range ensures accurate textures and sharp images for every angle.

Each Raphael comes with an array of great features. Durable Super Flux IR LED's make them ideal for night-time monitoring, and an onboard OSD control allows users to make adjustments to get the best picture in any environment. Its aesthetically pleasing IP66 rated concealed bullet camera design makes for easy installation for both indoor and outdoor applications.

#### OPTICAL INFORMATION

<b>IMAGE SENSOR</b>	1/3" Sony Mega Pixel Progressive Sensor
<b>SIGNAL SYSTEM</b>	NTSC
<b>CAMERA TYPE</b>	Color Day/Night with ICR filter
<b>RESOLUTION</b>	900TVL
<b>MINIMUM ILUMINATION</b>	0.01 Lux (AGC On, IE Off) / 0 Lux with IR On
<b>DYNAMIC RANGE</b>	Extended Dynamic Range
<b>WHITE BALANCE</b>	Auto/Manual
<b>AGC</b>	Auto/Fixed
<b>BLC</b>	Auto
<b>ELECTRONIC SHUTTER</b>	Auto
<b>DIGITAL NOISE REDUCTION</b>	3D Noise Reduction (On/Off)
<b>OSD/CONTROL MODE</b>	Yes, User Friendly ODS
<b>Mirror</b>	Horizontal & Vertical
<b>Privacy Masking</b>	8 User defined Windows
<b>Zoom</b>	2x Zoom
<b>Motion Detection</b>	4 areas
<b>VIDEO OUTPUT</b>	BNC

#### LENS

<b>LENS TYPE</b>	2.8-12 Vari-Focal IR Corrected
<b>ANGLE OF VIEW</b>	85 to 30 degrees
<b>IRIS CONTROL</b>	Auto

#### IR ILUMINATION

<b>INFRARED WAVELENGTH</b>	15pc Super Flux LED 850nm
<b>INFRARED LAMP IRRADIATION DISTANCE</b>	50ft to 80ft

#### MECHANICAL

<b>DIMENSIONS</b>	226mm length x 77mm diameter (8.8"x3")
<b>WEIGHT</b>	520g (1lb)
<b>3 AXIS DESIGN</b>	Yes
<b>VANDAL PROOF</b>	Impact Resistant

#### ENVIRONMENTAL

<b>OPERATING TEMPERATURE</b>	14F to 131F (-10C to 55C)
<b>OPERATING HUMIDITY</b>	10% - 85% RH
<b>ENVIRONMENTAL PROTECTION</b>	IP66

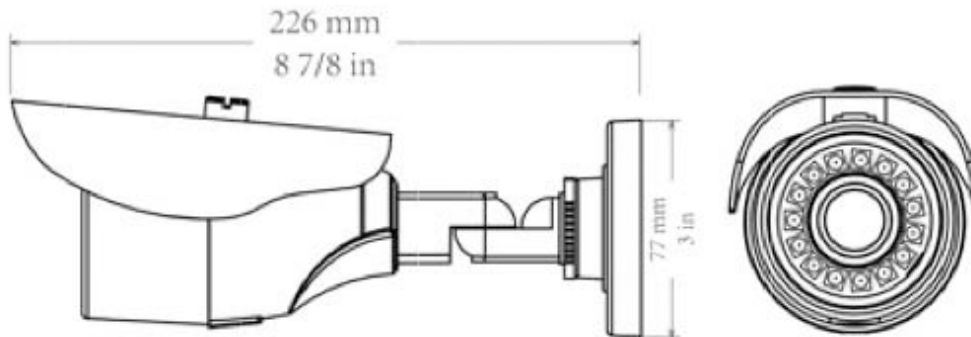
**ELECTRICAL**

INPUT VOLTAGE	12VDC @ 100mA (320mA IR ON)
POWER CONSUMPTION	<5W, 100mA
RECOMMENDED POWER SUPPLY	BP0004/S

**CERTIFICATIONS**

CE	Yes
FCC	Yes
RoHS Compliant	Yes

**General Dimensions**



**Recommended  
Power Supply**

**BP0004/S**