

SAFEGUARDS AND WARNINGS

⚠ WARNING

Installation and servicing is only to be carried out by suitably qualified and experienced personnel

This product is designed for use in general purpose CCTV applications and has no other purpose

This product is designed to operate in a class 2 indoor general environment and must not be installed where exposed to rain or moisture.

This product must be powered from a class 2 isolated power source as supplied

CERTIFICATIONS

This product meets the requirements of the following standards:

Electromagnetic Compatibility

EN55022:1995 limits and methods of measurement of radio disturbance characteristics of information technology

EN50082-1:1992 Electromagnetic compatibility- Generic Immunity standard

Comprising:

IEC 801-2:1991 Electrostatic discharge

IEC 801-3:1984 Radiated electromagnetic fields

IEC 801-4:1988 Fast transient bursts

Safety

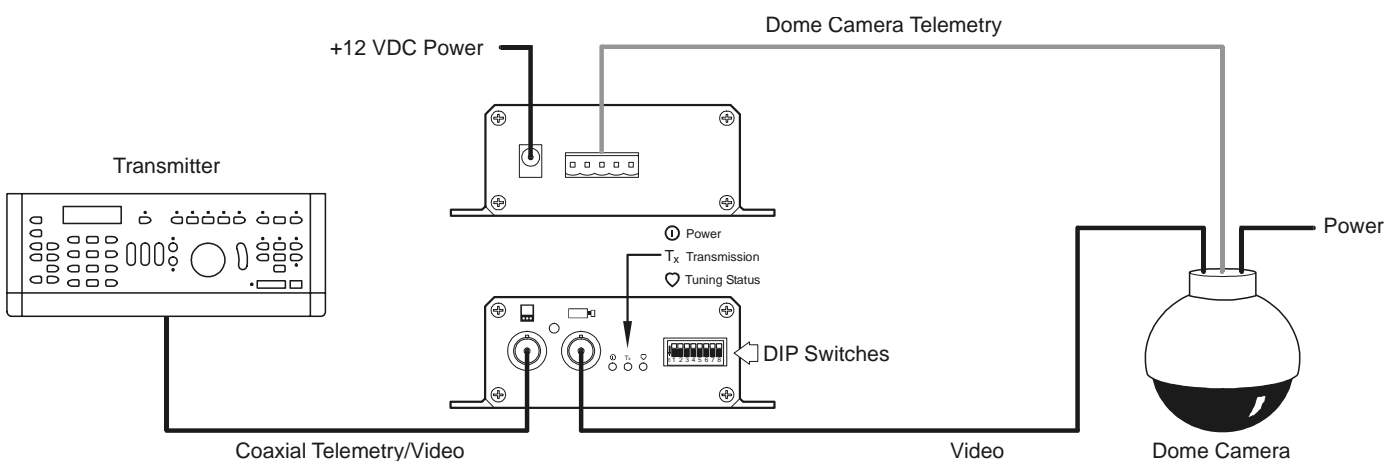
EN 60950: 1992 Safety of information technology equipment, including electrical business equipment

DECLARATIONS

The manufacturer declares that the DAX unit supplied with this manual, is compliant with the EMC directive 89/336 EEC and the low voltage directive 73/23/EEC and 93/68/EEC

DESCRIPTION

The DAX/KENKO converts Baxall coaxial telemetry into Dome telemetry. It connects between your transmitter and dome camera in the coaxial line as shown below. The DAX/KENKO requires a +12 VDC or 24 VAC class 2 isolated power supply.

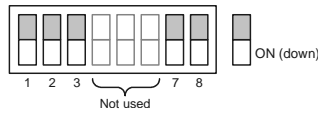


DAX/KEN Installation

SWITCH SETTINGS

Your DAX/KENKO is compatible with the Kenko DMP16-H3 dome camera. DIPswitches located on the front of the DAX/KENKO are used to set the mode of autopan as shown below.

- | | |
|---|---|
| Switch 1 ON: Disables the auto focus timer | Switch 1 OFF: Enables the auto focus timer |
| Switch 2 ON: Disables auto focus at pan/tilt stop | Switch 2 OFF: Enables the auto focus at pan/tilt stop |
| Switch 3 ON: Disables the auto focus at zoom stop | Switch 3 OFF: Enables the auto focus at zoom stop |
| Switch 7 ON: Extended preset mode enabled. | Switch 7 OFF: Use WIPE key to access presets 9-16 (see below) |
| Switch 8 ON: Autopan mode | Switch 8 OFF: Preset Tour mode |



STORING AND RECALLING PRESETS

To store a preset using a ZTX6:

1. Press the Function (F) key
2. Enter the preset number*.
3. Press the Preset (X) key.

To store a preset using a ZMX:

1. Press the Function (F) key and then the Preset (X) key.
2. Enter the preset number*.

To recall a preset using a ZTX6:

1. Enter the preset number*.
2. Press the Preset (X) key.

To recall a preset using a ZMX:

1. Press the Preset (X) key.
2. Enter the preset number*.

* Preset numbers can be between 1 and 16. To enter the number for a preset that is between 1 and 8, make sure the WIPE (W) key is set to OFF and use the numbers 1 to 8 on the keyboard. To enter the number for a preset that is between 9 and 16, make sure the WIPE (W) key is set to ON and use the numbers 1 to 8 on the keyboard.

EXTENDED FEATURES

Use of WASH (AUX2) and IRIS keys

The setting of the IRIS key determines the operation of the WASH (AUX2) key.

IRIS key	Press the WASH (AUX2) key to
No keypress	Go to home position
Press and hold IRIS open key	Set Autopan start position
Press and hold IRIS closed key	Set Autopan end position

These commands are disabled when the dome camera is operating in either autopan or preset tour mode i.e. when the Autopan (AUX3) key on the controlling keyboard is ON.

INSTALLATION

All video is 1 V pk-pk composite via 75 ohm video coaxial cable and BNC connectors. The connections to your DAX/KENKO are shown on the case and in the schematic overleaf.

- Connect the +12 VDC and the Dome Camera's RS485 extension lead to the connectors on the Interface Unit according to the schematic.
- Connect the Interface Module to your transmitter and to your dome camera according to the schematic.
- The Camera ID should be set to 1.

When using the same power supply for the dome camera and the DAX/KENKO, use a video isolation unit between the dome camera and the DAX/KENKO.

SPECIFICATION

Inputs : Baxall coaxial telemetry as defined by the Baxall coaxial telemetry specification, +12 VDC or 24 VAC

Output : Dome Camera telemetry.

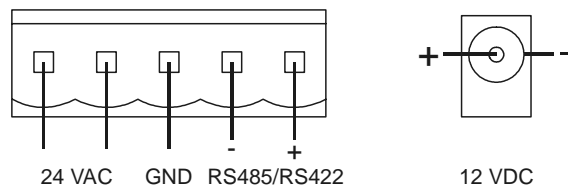
Power : nom. +12 VDC (min. 8.0 VDC max. 24 VDC) class 2 isolated, 50mA max. (0.6 Watts); 24 VAC.

Power Supply : 230 VAC to +12 VDC class 2. Max 200mA.

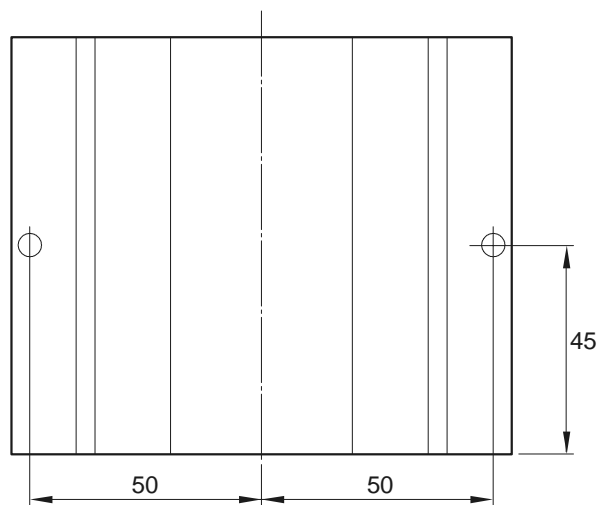
Dimensions : 115 x 107 x 37 mm. (WxDxH)

Temperature limits : Only use this product between the temperatures of -10° and +40° C.

CONNECTORS



MOUNTING



Baxall Limited, Stockport, England. Visit our Web site: <http://www.baxall.com>

Baxall Limited reserve the right to make changes to the product and specification of the product without prior notice to the customer.