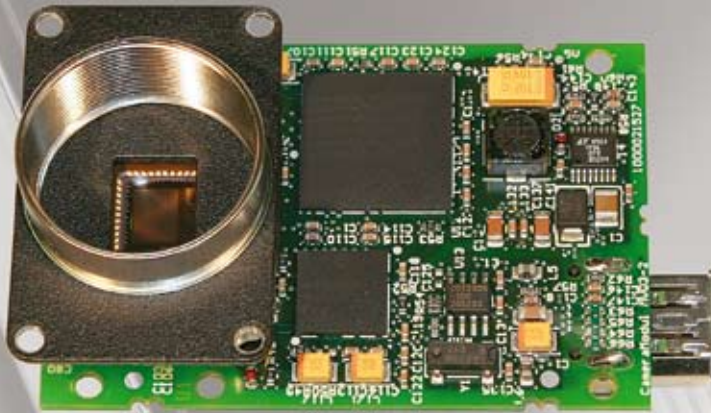


Basler A600 Board Level



**Small, Light,
Easy to Integrate**

A600 Board Level – When Size and Weight Matter

The cameras in Basler's A600 series have an exceptional price/performance ratio and are designed to achieve the optimum in performance, durability, and value. To meet OEM requirements, Basler has added a board level camera to the A600f series. This slim, compact device offers nearly the full functionality of the housed version. Frame rates of up to 100 fps at VGA resolution, freely programmable digital I/Os, and excellent image quality in both monochrome and color provide more versatility and make the board level camera exceptionally cost effective. A variety of mounting holes, an optional C-mount lens adapter, a plug-and-play IEEE 1394 interface, and the easy-to-use BCAM driver make integration easy. Preprocessing functions provided by the camera via Basler's Smart Features Framework (SFF) are especially useful for optimizing performance in an OEM environment.

Your benefits include:

- Smaller than a credit card for easy integration
- The low, 21 gram weight is ideal for applications such as a robot arm
- Up to 100 frames per second at VGA resolution for higher throughput
- A well established product especially suitable for OEMs
- 100% quality checked and calibrated to give you consistent performance and reliability

Basler Camera Test Tool



To ensure consistently high product quality, we employ several quality inspection procedures during manufacturing. Basler customers get a 100% tested camera, all of the benefits that go along with 100% testing, and a much higher level of satisfaction. This is a definite win-win situation.

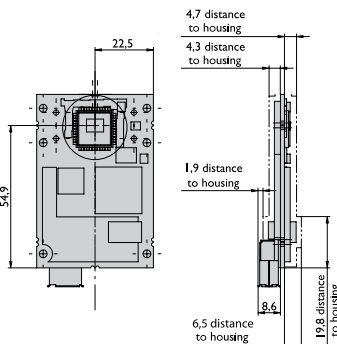
Specifications

Basler	A601f/A602f	A601fc/A602fc
Camera		
Resolution	656 x 491	656 x 490
Sensor Type	CMOS, global shutter, progressive scan	
Pixel Size (µm)	9.9 x 9.9	9.9 x 9.9
Frame Rate at Full Resolution	60 fps / 100 fps	60 fps / 100 fps
Mono/Color	Mono	Color
Video Output Type	IEEE1394a	IEEE1394a
Video Output Format	Mono 8: 8 bits/pixel Mono 16: 10 bits/pixel	YUV 4:2:2: 16 bits/pixel Raw 8: 8 bits/pixel (R,G, or B) Raw 16: 10 bits/pixel (R,G, or B)
Gain Control	0-12 dB	0-12 dB
Synchronization	Via external trigger; via the 1394 bus, or free run	
Exposure Control	Programmable via the 1394 bus	
Mechanical / Electrical		
Board Size (L x W x H)	74.9 mm x 45.0 mm x 16.7 mm (without C-mount), 76.5 mm x 45.0 mm x 29.1 mm (with C-mount)	
Weight	21 g (without C-mount), 39 g (with C-mount)	
Power Requirements	8-36 VDC, max. 1.7 W (at 12 VDC) via 1394 cable	
Software and Features		
Camera Features	Freely programmable area of interest (AOI), trigger ready, look up tables (programmable), lossless compression, and many others included in the Smart Features Framework (SFF)	
Software	BCAM Driver; SDK Package, and SFF	

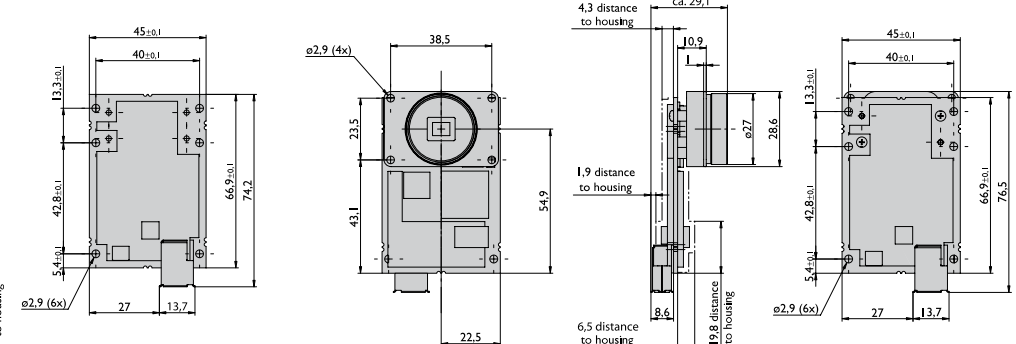
Specifications are subject to change without prior notice

Dimensions (in mm)

without C-mount



with C-mount



Germany, Headquarters
Phone +49 4102 463 500
Fax +49 4102 463 599
bc.sales.europe@baslerweb.com

USA
Phone +1 610 280 0171
Fax +1 610 280 7608
bc.sales.usa@baslerweb.com

Singapore
Phone +65 6425 0472
Fax +65 6425 0473
bc.sales.asia@baslerweb.com