

VT Verso Housings

Protective housings for Axis network cameras.



- > Indoor and outdoor installation
- > IP66-rated protection
- > High impact resistance
- > Side opening
- > Several mounting options

VT Verso Housings protect Axis network cameras in adverse conditions both outdoors and indoors. The stylishly designed, high quality housings offer IP66-rated protection against dust, heavy rain and UV rays.

Made of light-weight technopolymer the housings have high impact resistance. A side opening simplifies camera installation and maintenance.

VT Verso Housings enable the Axis network camera to operate in temperatures down to -20 °C (-4 °F).

Various brackets and accessories - such as ceiling and wall brackets, pole and corner mounts and adapters - are available.

VT Verso Housings are available separately or in kits with a variety of chosen Axis network cameras, mounts and other accessories.

Supported cameras are AXIS 210, AXIS 210A, AXIS 211, AXIS 211A, AXIS 211M, AXIS 211W, AXIS 221 and AXIS 223M Network Cameras.

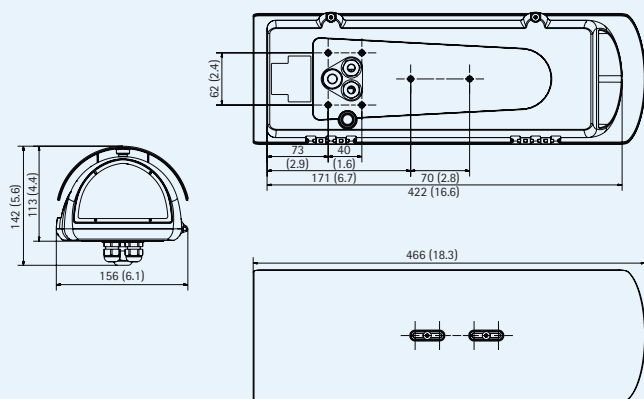


Technical specifications – VT Verso Housings

General	
Models	VT Verso Housing VT Verso Cool Outdoor Housing
Supported cameras	AXIS 210*, AXIS 210A*, AXIS 211, AXIS 211A, AXIS 211M, AXIS 211W**, AXIS 221 and AXIS 223M Network Cameras <i>*indoor use only</i> <i>**external antenna recommended</i>
Casing	Technopolymer (polycarbonate) Color: White grey RAL9002 3 removable cable glands (2xPG9 & 1xPG11)
Power	230 VAC / 44W
Operating conditions	VT Verso Housing: -20°C to + 40°C (-4°F to 104°F) VT Verso Cool Outdoor Housing: -20°C to + 50°C (-4°F to 122°F)
Environment	Indoor/outdoor
Protection rating	VT Verso Housing: IP66 VT Verso Cool Outdoor Housing: IP44
Approvals	CE: EN 60950, EN 50081-1, EN 50130-4 V1 fire-self extinguish compliance to UL94 Impact resistance IK10 according to EN50102
Weight	1.5 kg (3.3 lb) incl. sunshield
Included accessories	Sunshield, heater and thermostat and Installation Guide

More information and a configuration tool is available at www.axis.com/accessories

Dimensions mm (inch)



VT Verso Housings

Optional accessories

Wall brackets

Ball joint

Ball joint and internal cable channel



Ceiling brackets

Ball joint and internal cable channel

Ball joint

Ball joint



Column mount with ball joint



Wall bracket accessories

Integrated junction box and ball joint

Adapter plate

Pole adapter

Corner mount



Additional accessories

Power supply



Waterproof junction box

