

AXIS Q8108-R Network Video Recorder

Uninterrupted in-vehicle recordings for tough environments.



- > Rugged design
- > Easy installation
- > 8-port PoE switch
- > Battery back-up
- > Customizable to meet project specific needs

AXIS Q8108-R is an 8-channel network video recorder (NVR) especially designed for public and commercial transportation applications. The product is developed to withstand shocks, vibrations and temperature fluctuations. It provides uninterrupted in-vehicle recording in full frame rate HDTV resolution for up to 8 connected cameras.

The product is tested according to prevailing shock and vibration standards. The electronic components are protected by a robust aluminum casing, which upon request can be supplied with a cable sealing to meet an IP65 rating.

The integrated 8-port PoE switch offers an easy, fast and cost-effective solution for supplying power to network cameras.

AXIS Q8108-R is equipped with battery backup to handle short periods of power drop and safe shutdown of the system. Integrated voltage protection eliminates voltage spikes that may occur in a vehicle's power system.

AXIS Q8108-R supports the use of up to 2 separate hard disk drives. SATA connectors make it easy to replace hard disk drives when needed.

The NVR includes an 8-channel version of AXIS Camera Station video management software but it can also be customized for third-party software. To further meet your project specific needs AXIS Q8108-R supports options such as WLAN (802.11 b/g), GPS, GSM/ UMTS / HSDPA and accelerometer.



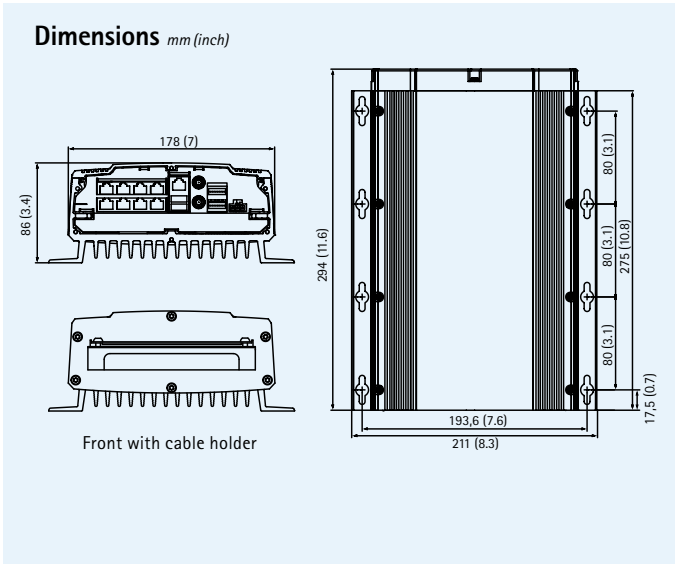
Technical Specifications – AXIS Q8108-R Network Video Recorder

System	
Models	AXIS Q8108-R: hard disk not included
Processor	1.1 GHz Intel Atom Z5 series CPU
RAM	1 GB SODIMM DDR2
System disk	Compact Flash SSD drive 4 GB
Operating system	Windows Embedded Standard 2009
Battery backup	Safe shutdown 1 minute after power loss
Network	
Security	Password protection, user access log
NTP	NTP server included
Software	
Video Management Software	AXIS Camera Station, 8-channel license included. For more information, see www.axis.com/products/cam_station_software/
Application Programming Interface	Open API for software integration
Video compression	H.264 (MPEG-4 Part 10/AVC), MPEG-4 Part 2, Motion JPEG
Audio compression	AAC, G.711, G.726
Resolutions	Supports connected Axis video product resolutions*
Recording frame rate	Supports connected Axis video product frame rates*

*Maximum total recording bitrate 70 Mbps

General	
Casing	Rugged IP43-rated aluminum casing
Input voltage	12 or 24 V DC
Max power	84 W
PoE output	8 PoE class 1, or 1 PoE class 0 + 4 PoE class 1, or 2 PoE class 0
Connectors	2x Hi-Speed USB 2.0, Female RJ-45 Gbit port for external connection 8x Female RJ-45 10BASE-T/100BASE-TX PoE 2x digital output ports and 8x digital input ports, 2x SATA connectors
Operating temperature	-10 °C to 50 °C (14 °F to 122 °F)
Weight	3.7 kg (8.14 lb.)
Approvals	EU directive 2002/96/EC, MIL STD-810F Method 516.5 Procedure I, MIL STD-810F method 514.5, EN 55022, EN 55024, EN 61000-4-2, ISO 11452-2, EN 61000-4-3, ISO 11452-2, EN 61000-4-4, EN 61000-4-5, EN 61000-4-11, ISO 7637-2, EN50121-3-2, FCC part 15 subpart B class B
Included accessories	User's Guide, client software installation and management tools, cable holder, power cable, hard disk adapter kit
Project customization	WLAN 802.11b/g, GSM/UMTS/HSDPA, GPS, Accelerometer

More information is available at www.axis.com



Optional accessories

Cable sealing for IP65 rating



Power supply



Recommended products

AXIS M31-R Network Camera Series



Other compatible products

AXIS Q8108-R is compatible with all Axis video products running firmware 4.30 or higher, excluding AXIS 206M and AXIS 206W.